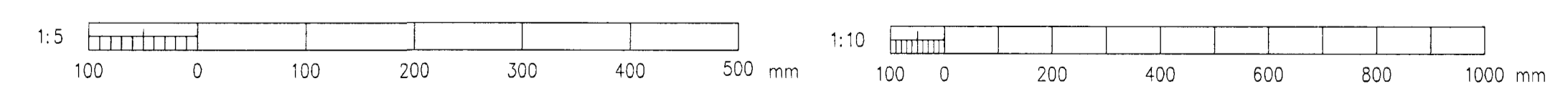
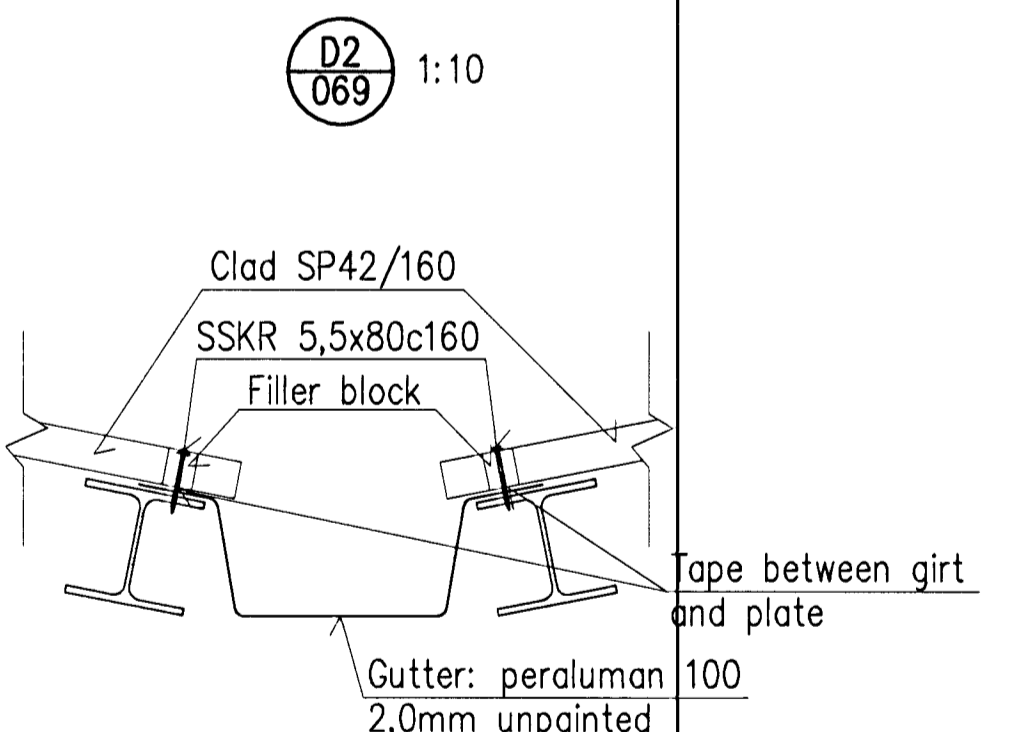
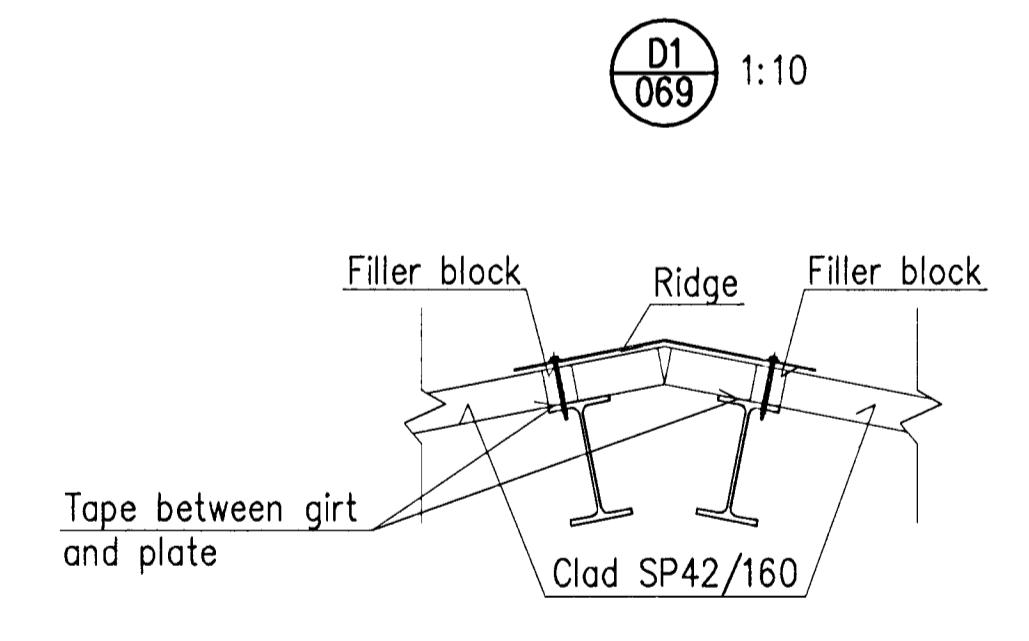
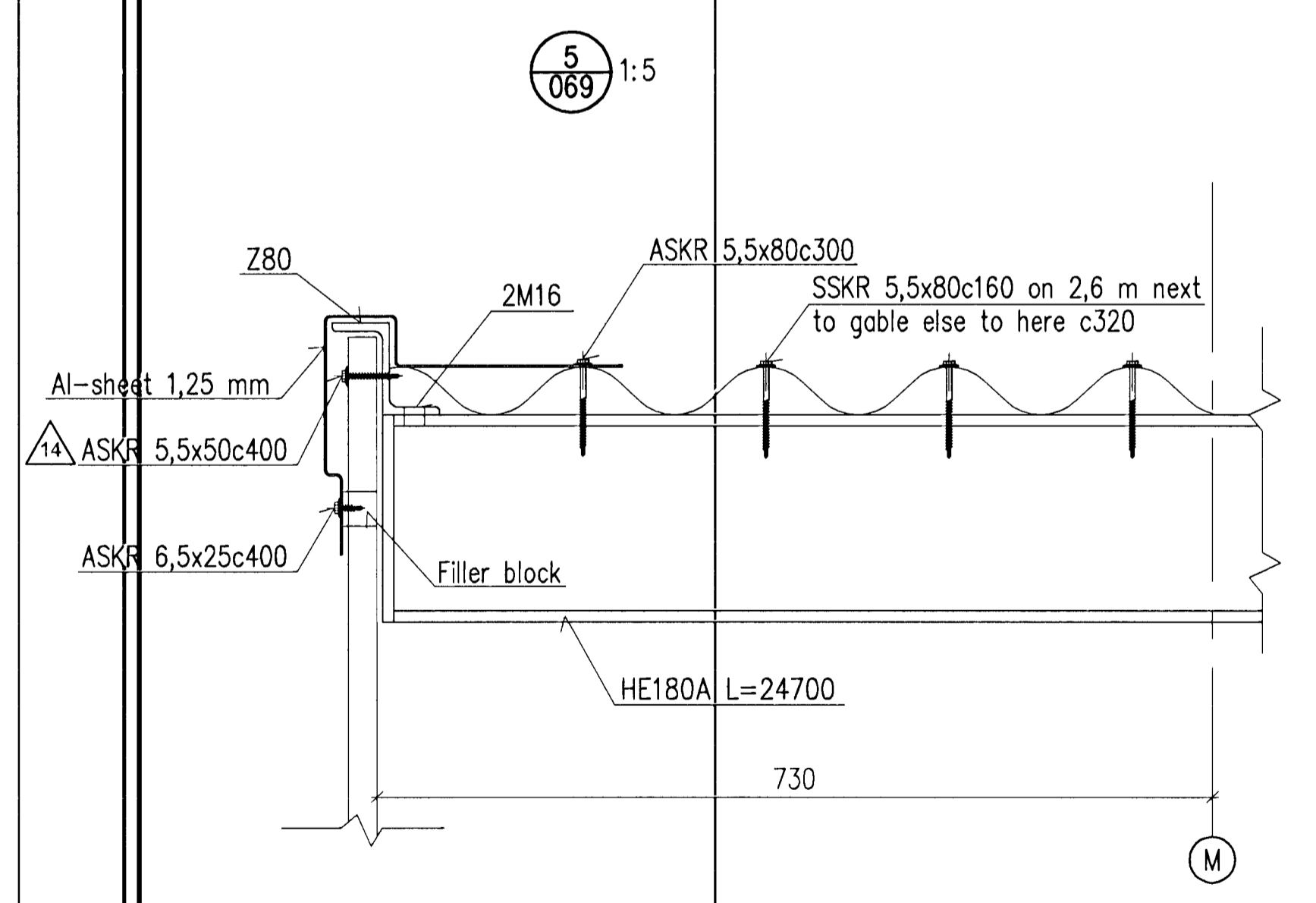
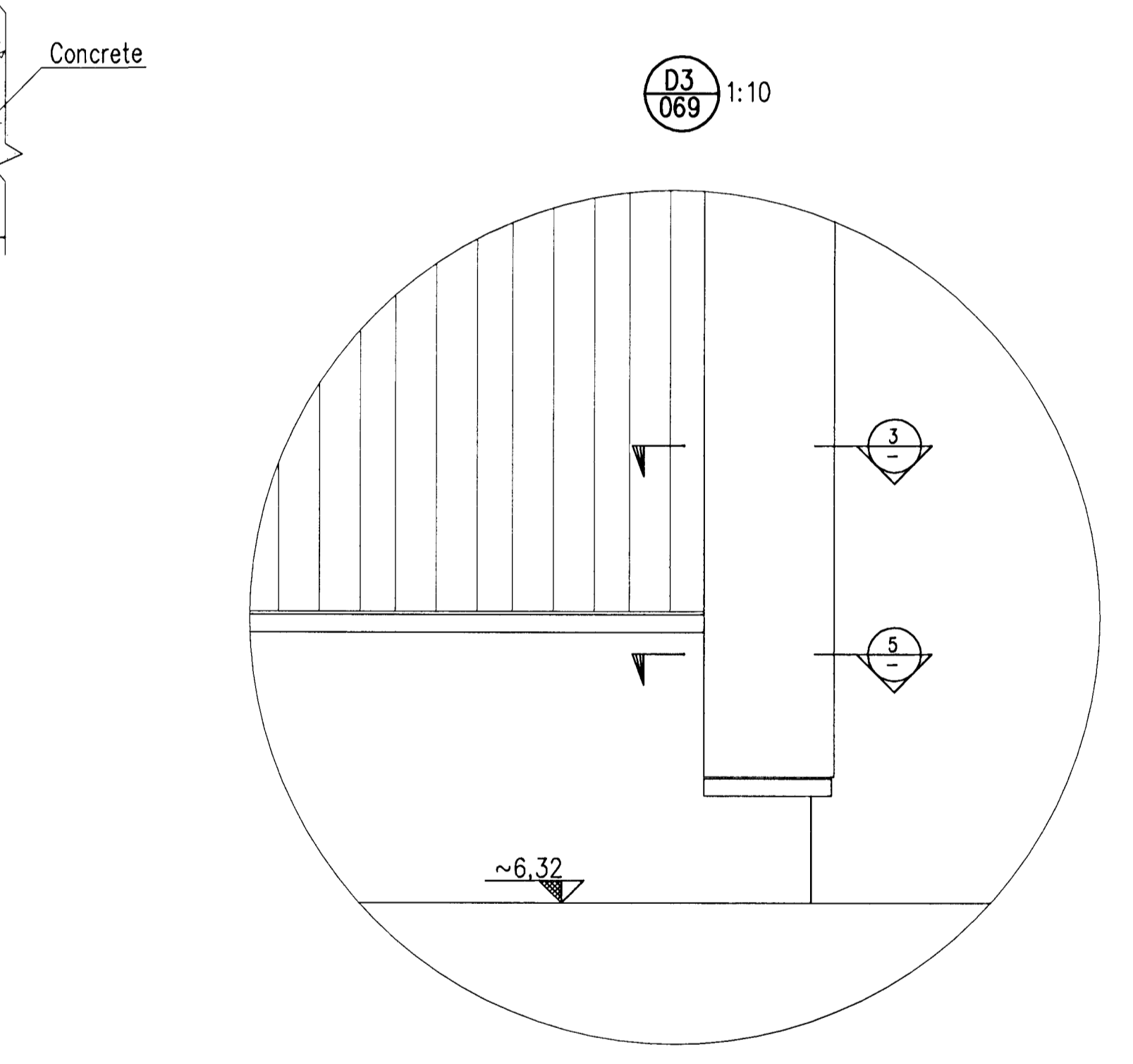
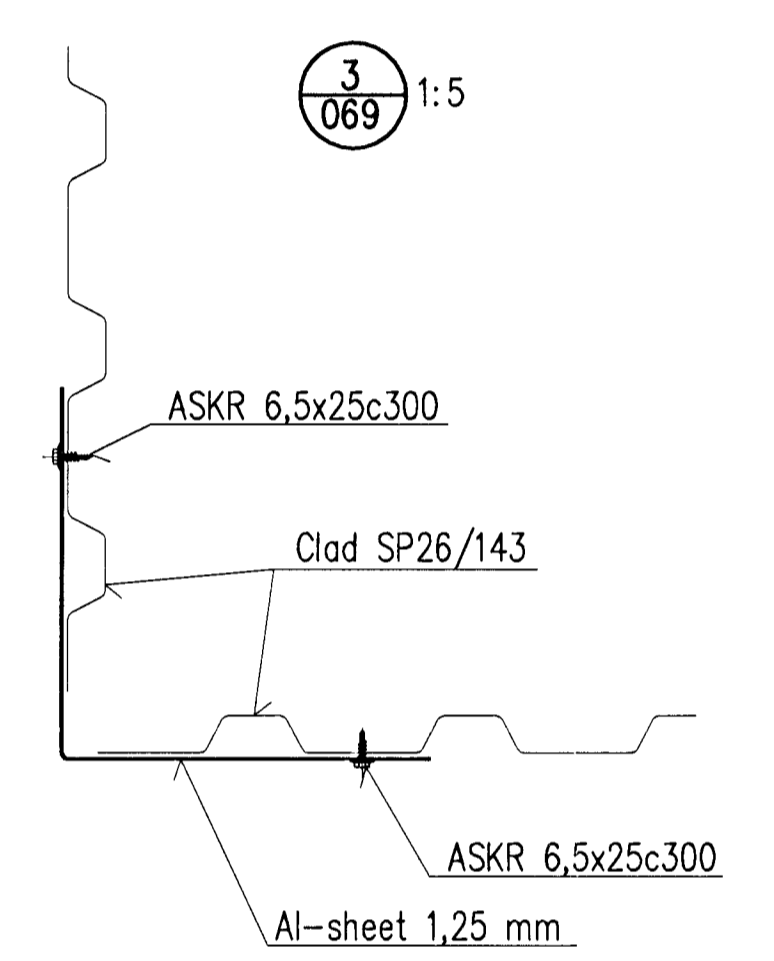
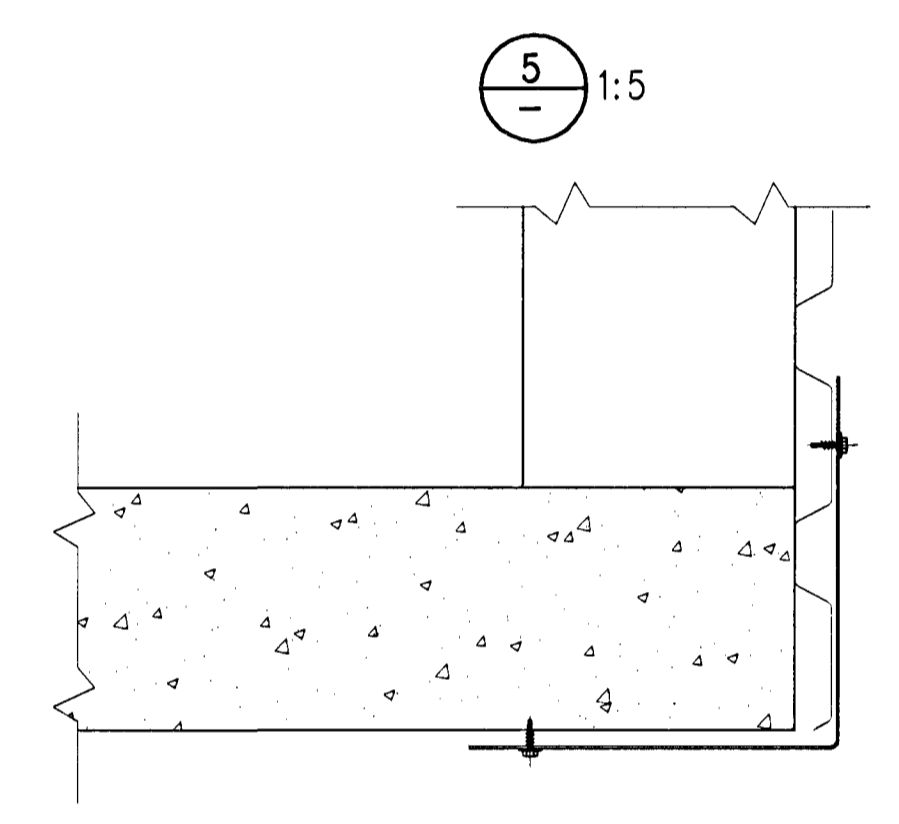
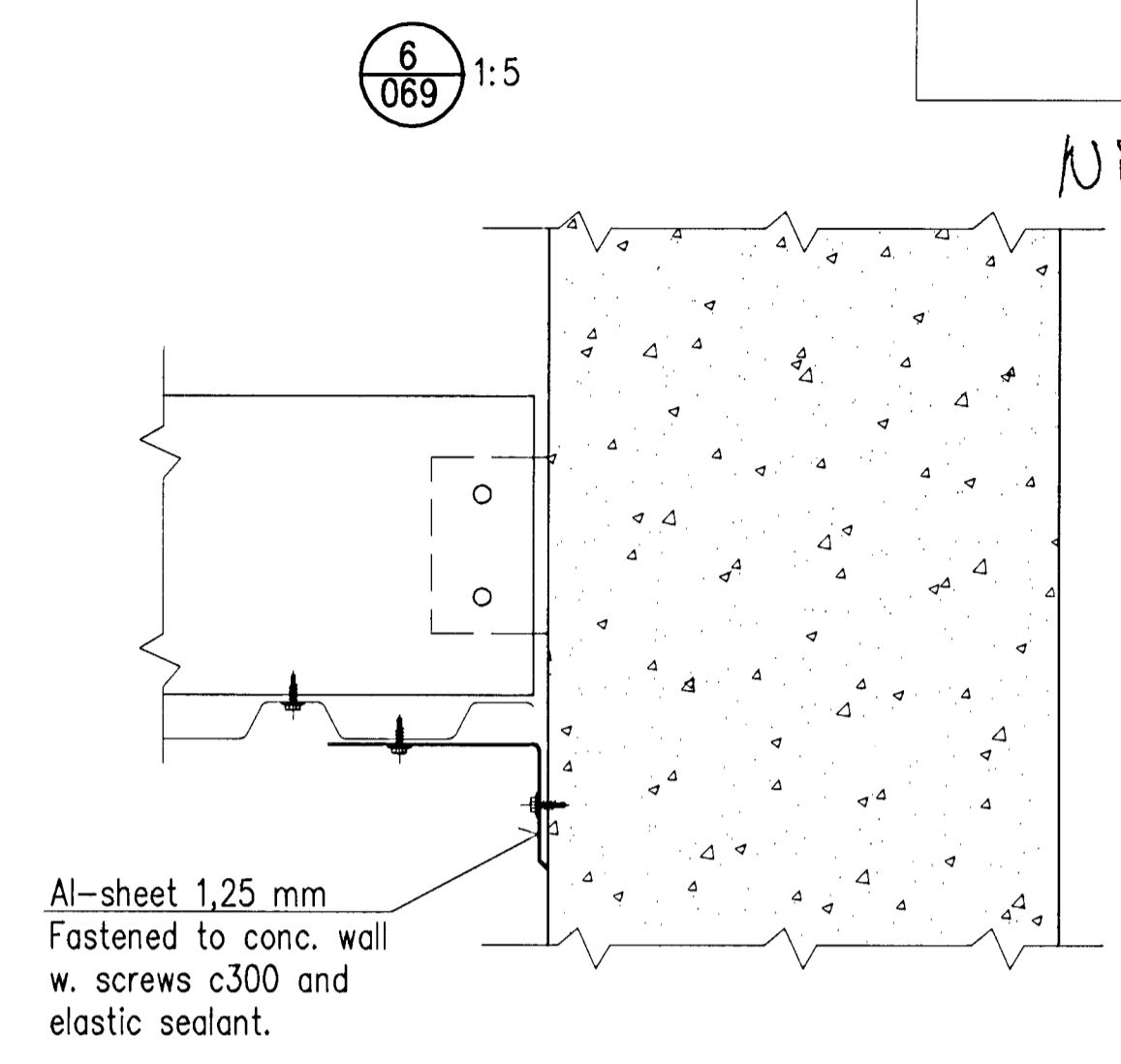
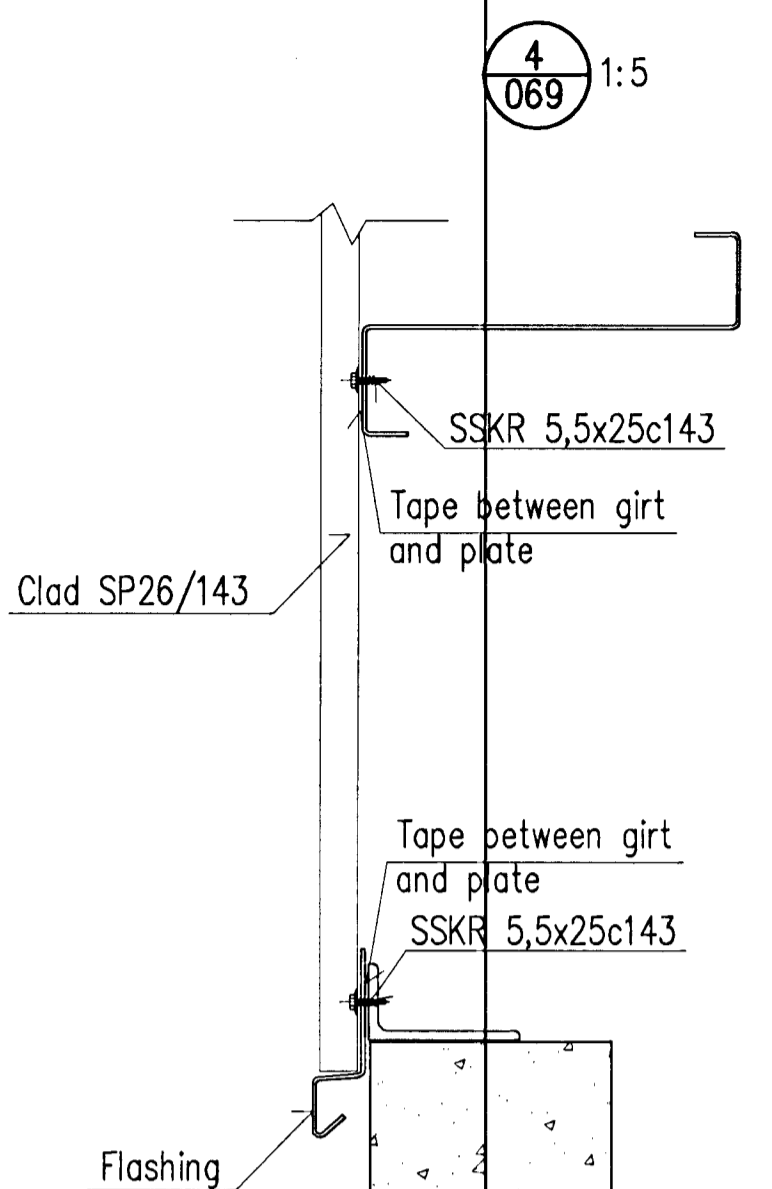
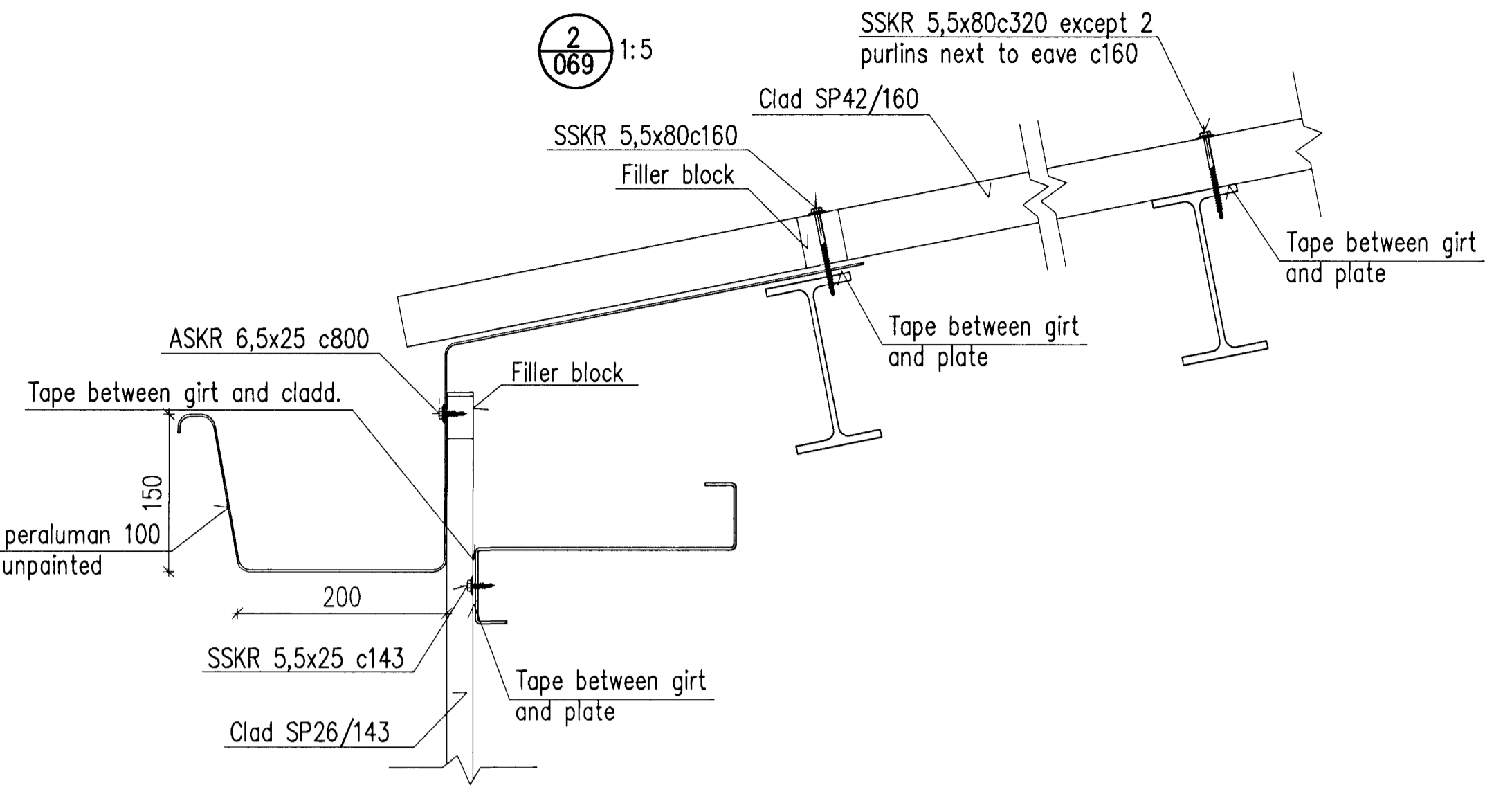
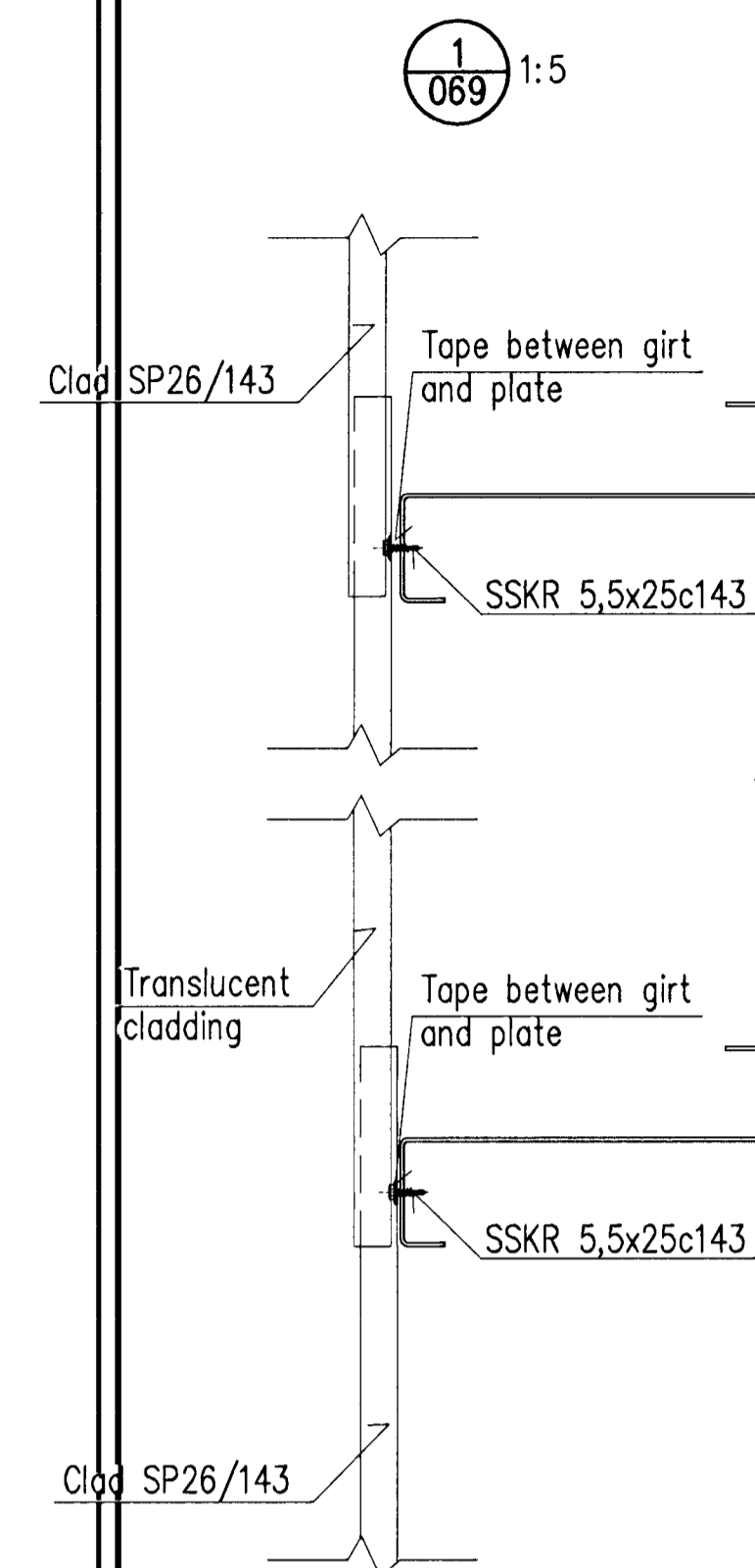


Samþykkt þann
 01 OCT 2012
 Byggingafulltrúinn / Hofnarrátt
 F.h. Sigurður Steinur Jónsson

Níels Indriðason
 Kt. 181144-3949
 WI



Skýringar / Legend:

14	Record Drawing	2012.06.11	HS	NI	Eng.	res.
Útg nr / Rev no	Lýsing / Description	Dagsetning / Date	Höf / Des / Draw	Yfirl / Ck'd	Notk heim / Suppl Ret	Notk heim / ISAL Ret

This drawing is the property of Rio Tinto Alcan Iceland Ltd and handed out for personal use only. It may neither be copied nor made available to others without permission of Rio Tinto Alcan Iceland Ltd. The receiver is liable for any misuse.	
Stærð / Size: A1	Mkv. / Scale: 1:5, 1:10
Dimensions without tolerances according to ISO 2768-1 medium.	

Dagsetning / Date: 2009.02.06	
Hannað / Designed: HS	Tekin / Drawn: LDB
Verktaki / Supplier: HRV	
Tekn.nr.verktaka / Supplier drw.no: IDP-410-ZA-015-070	
Sinnhætt / Approved: NI	Yfirl / Ck'd: NI
Hluti af / Part of:	

IPU 410 - SUBSTATION 220 kV SWITCHYARD BLD. CLADDING, DETAILS AND SECTIONS		
Flokkur nr. / Class no.: 4011	Bláð nr. / Bld no.: 01188	Nasta bl. nr. / Next bld. no.:
Teg. teikningar / Dwg. type: STRUCTURAL STEEL		
		ISAL Tekn.nr. / ISAL Drw.no. of ISAL: 251341 ISAL Breyt./Rev.: A
ISAL Yfirfarð og skrð. dags / ISAL Checked, date ISAL Samþykkt. dags / ISAL Approved, date		