

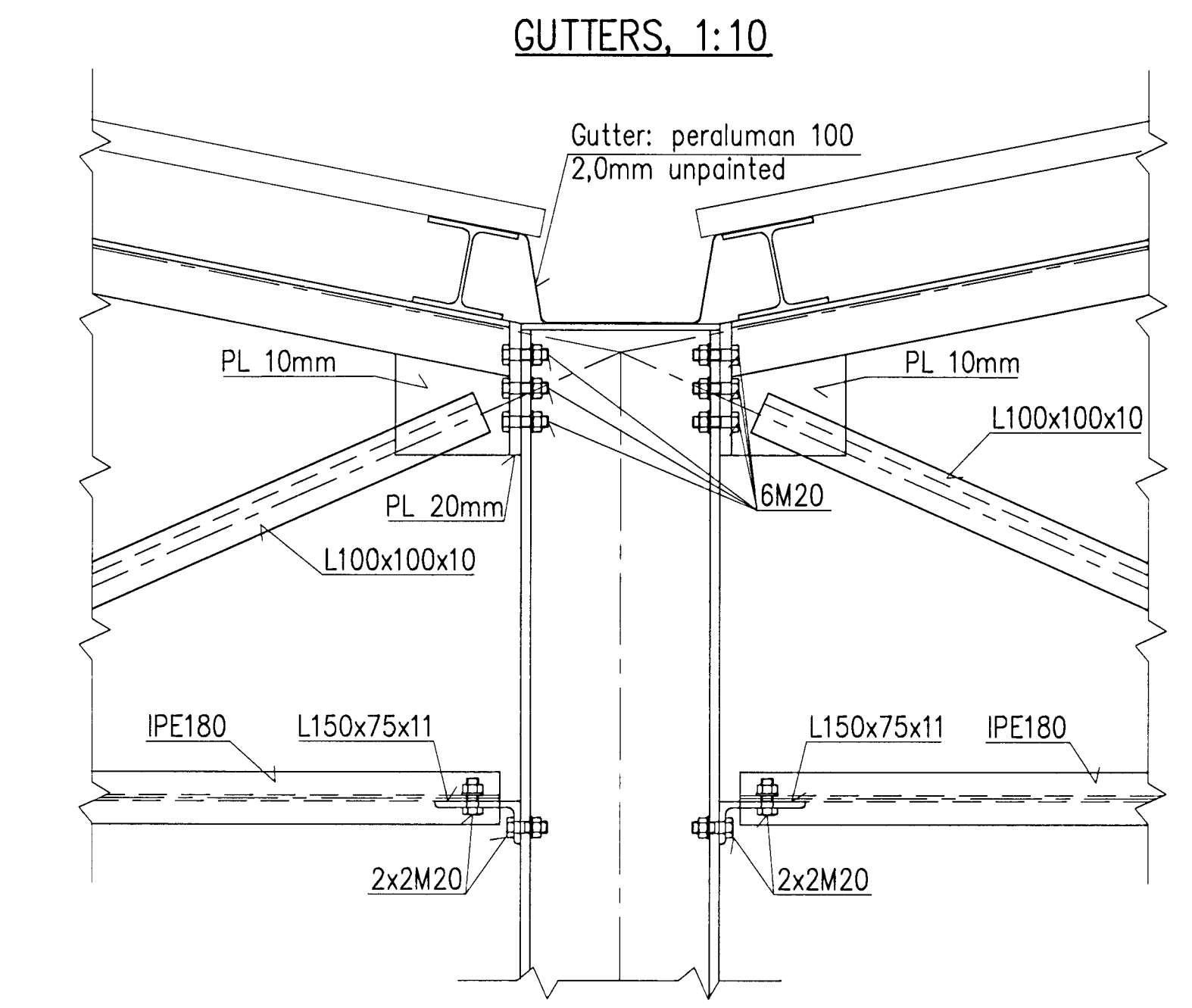
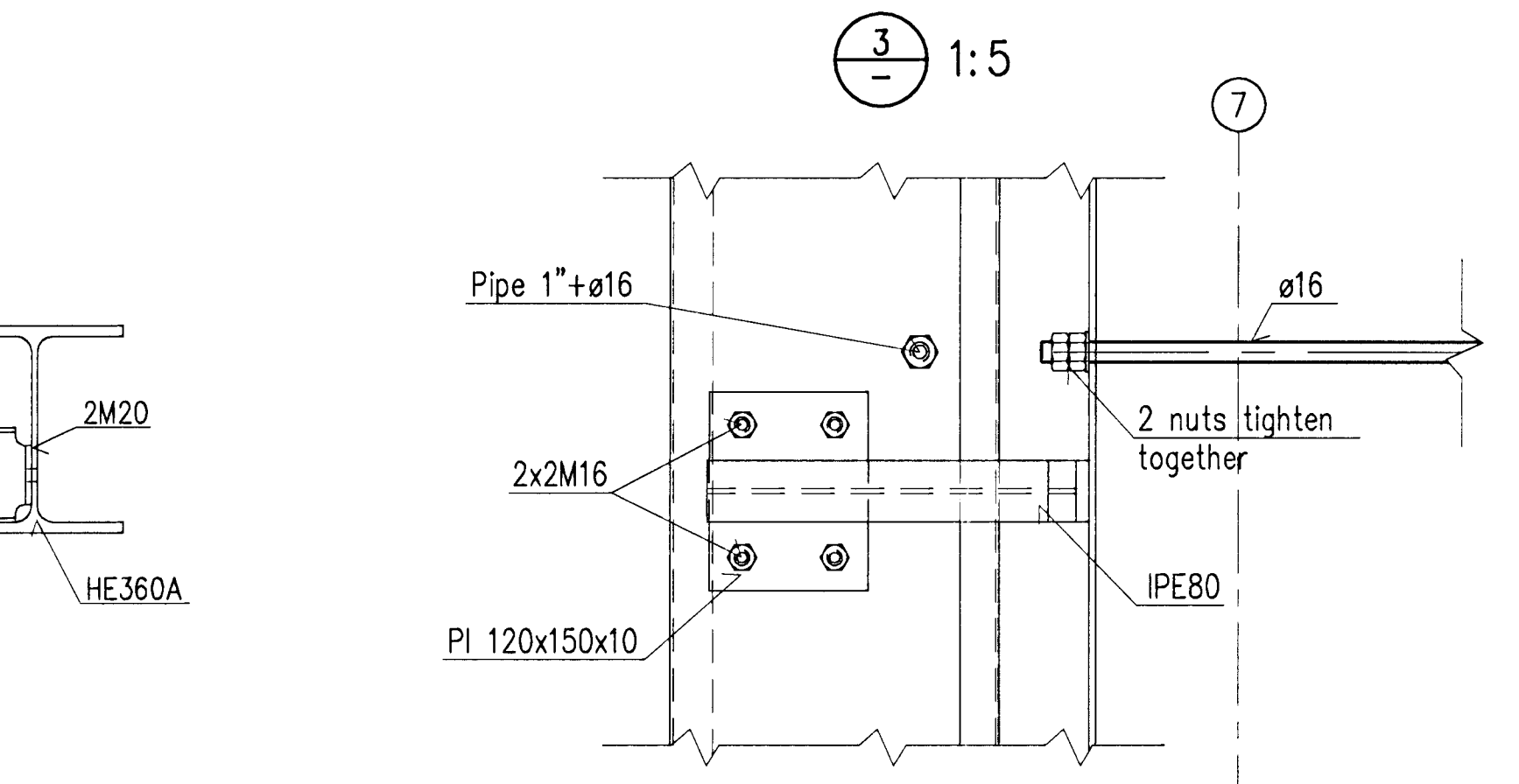
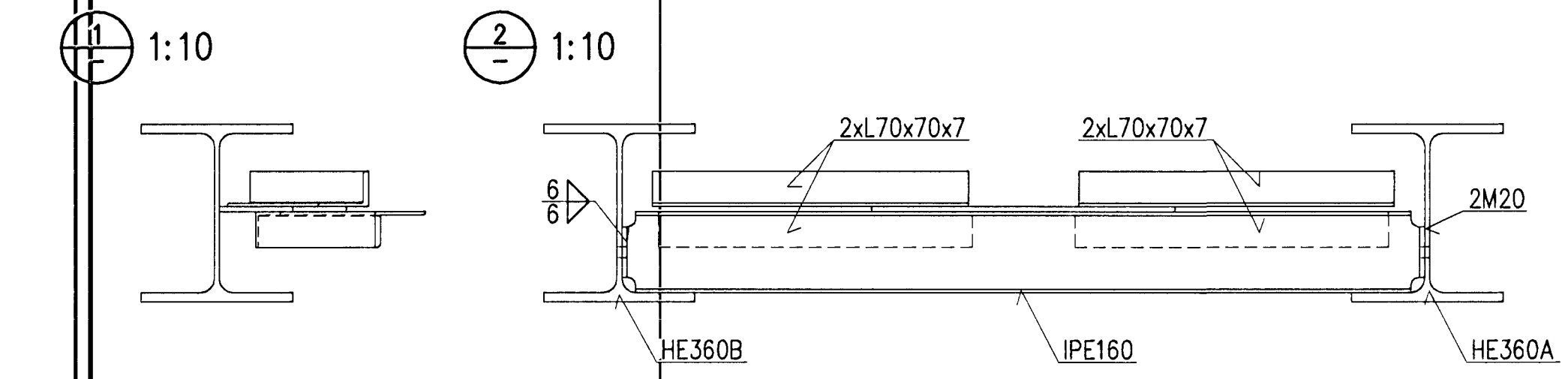
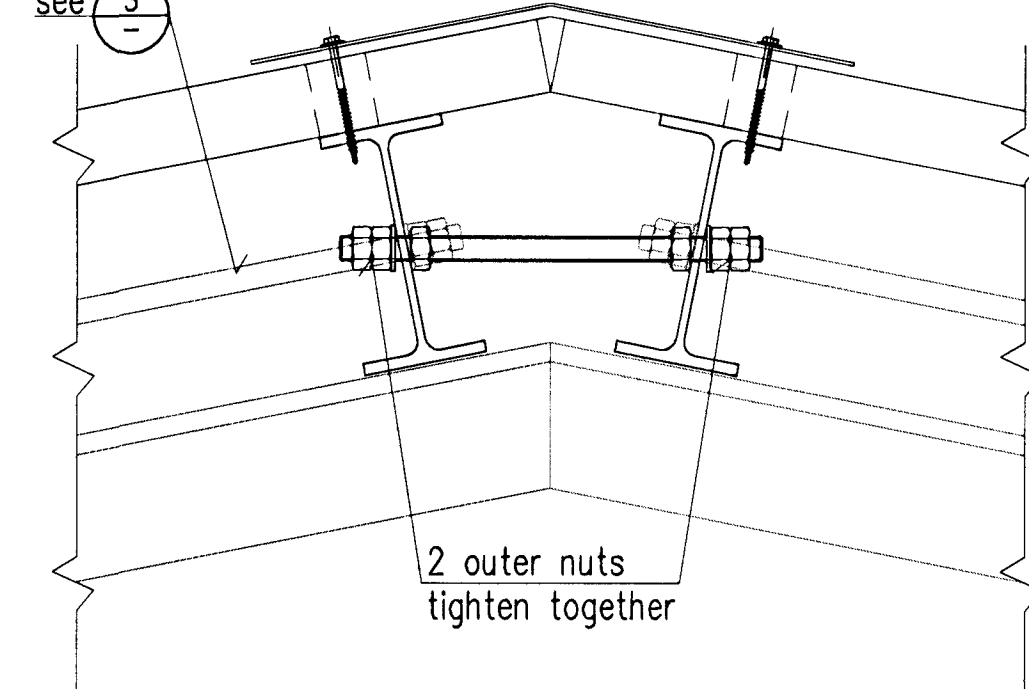
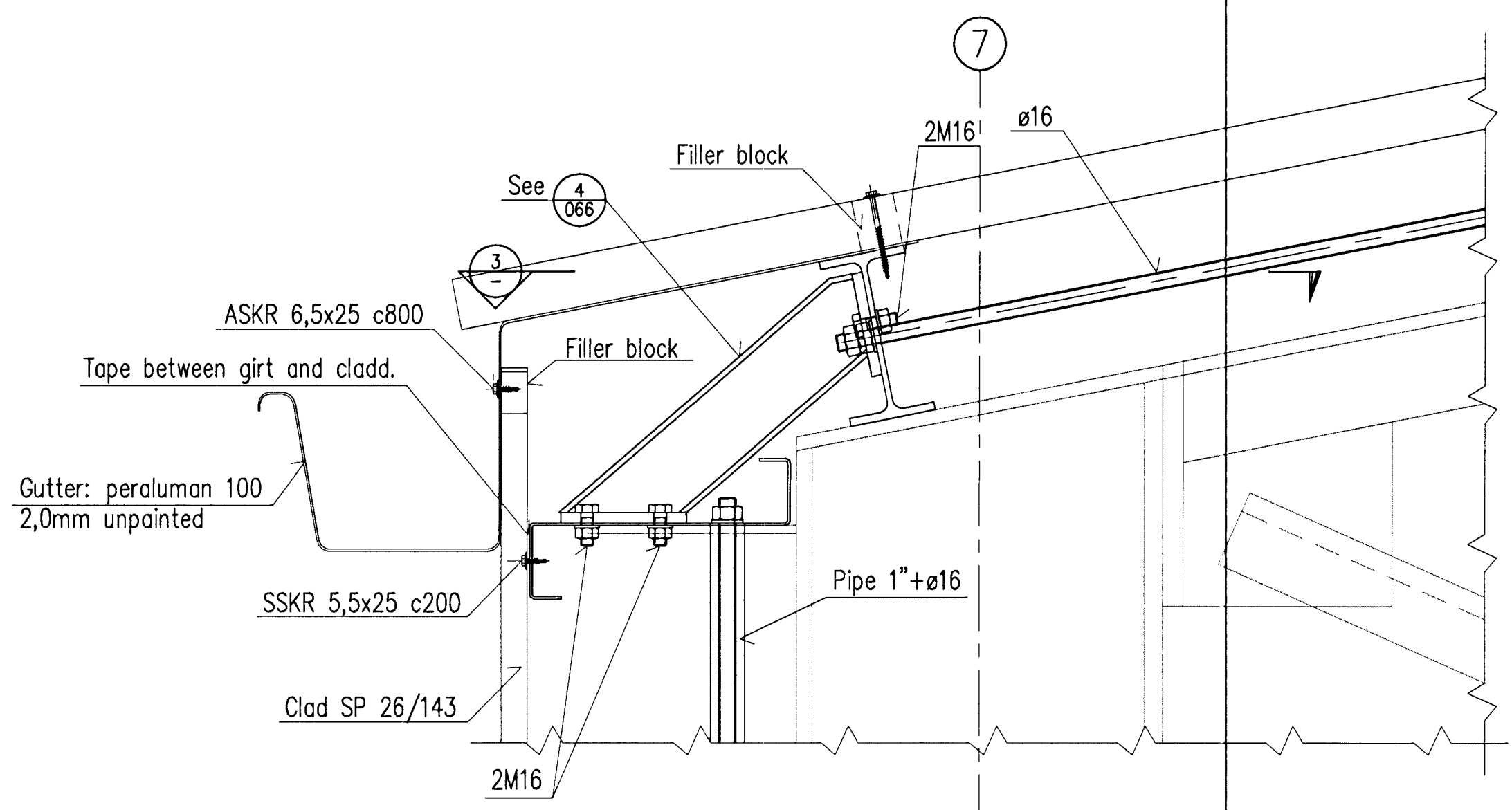
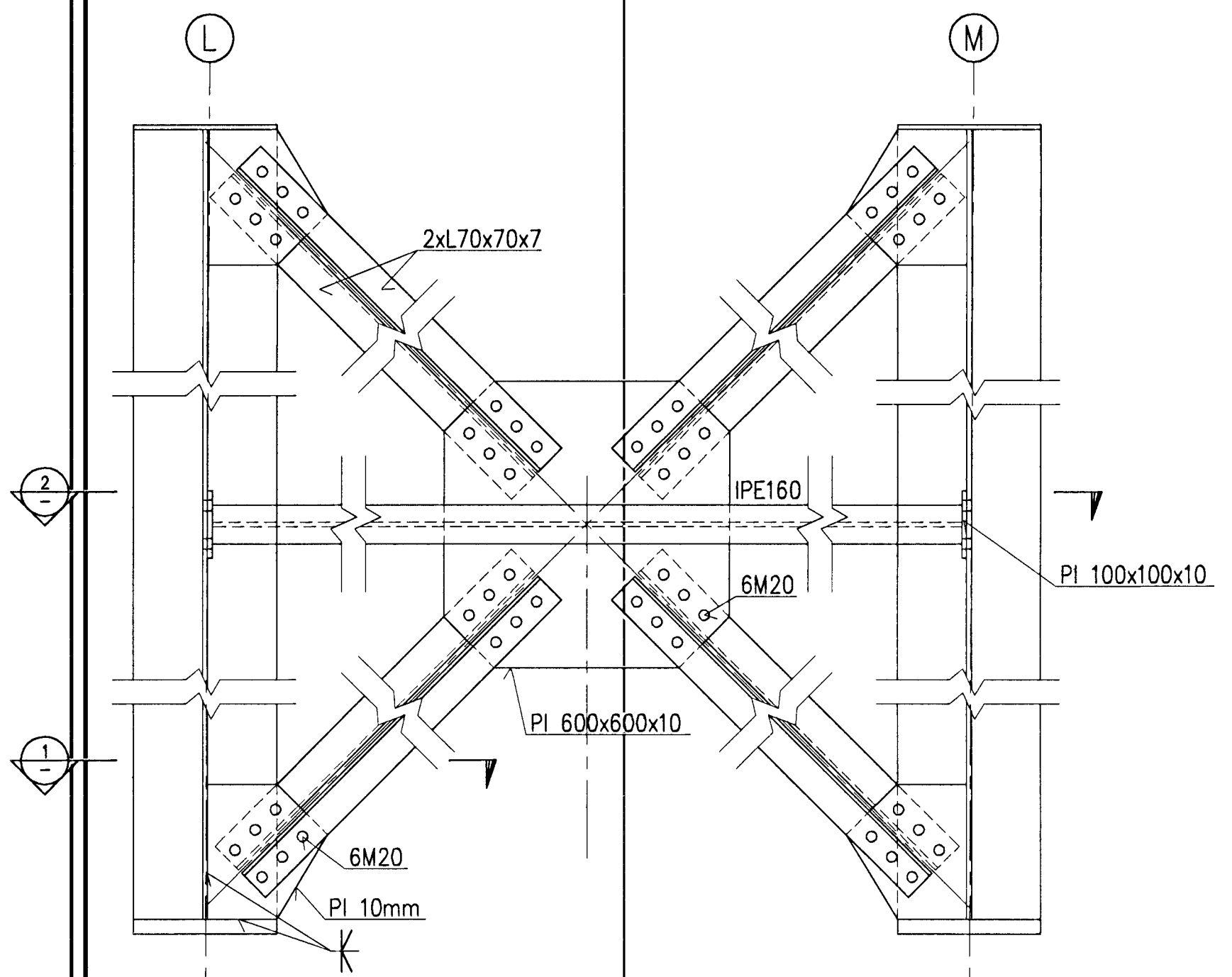
WALL BRACING IN LINE 7 BETWEEN L-M AND A-B, 1:10

BRACING DETAIL AT EAVE, 1:5

BRACING DETAIL AT RIDGE, 1:5

Sambýkkt þann  
 01 OCT 2012  
 Byggingafulltrúan / Heitaráttur  
 Fr. Sigurður Steinar Jónsson

Níels Indriðason  
 Kt. 181144-39-19  
 NI

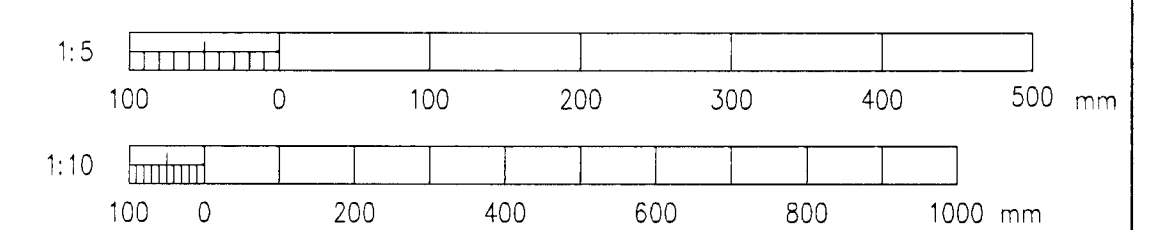
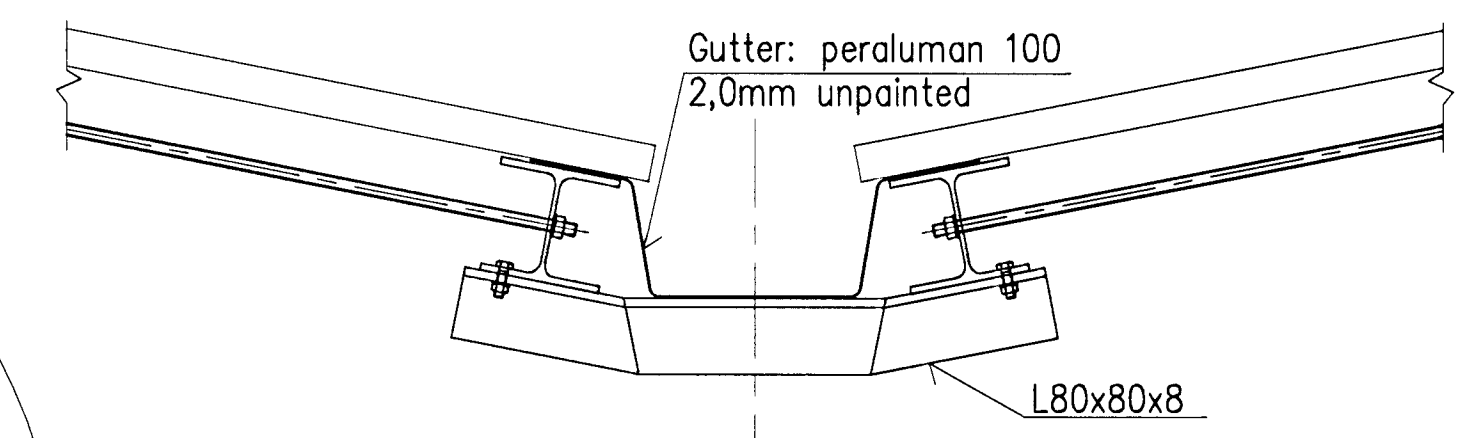
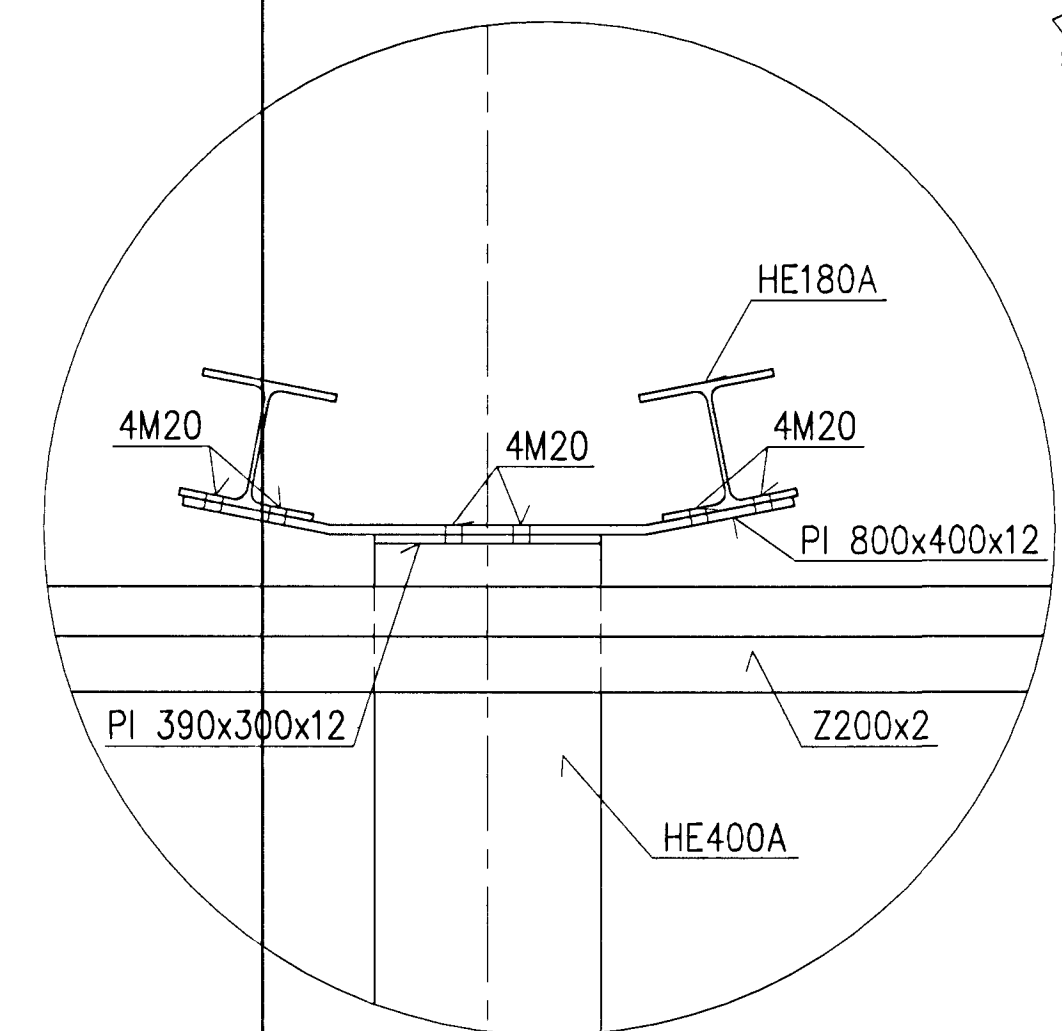
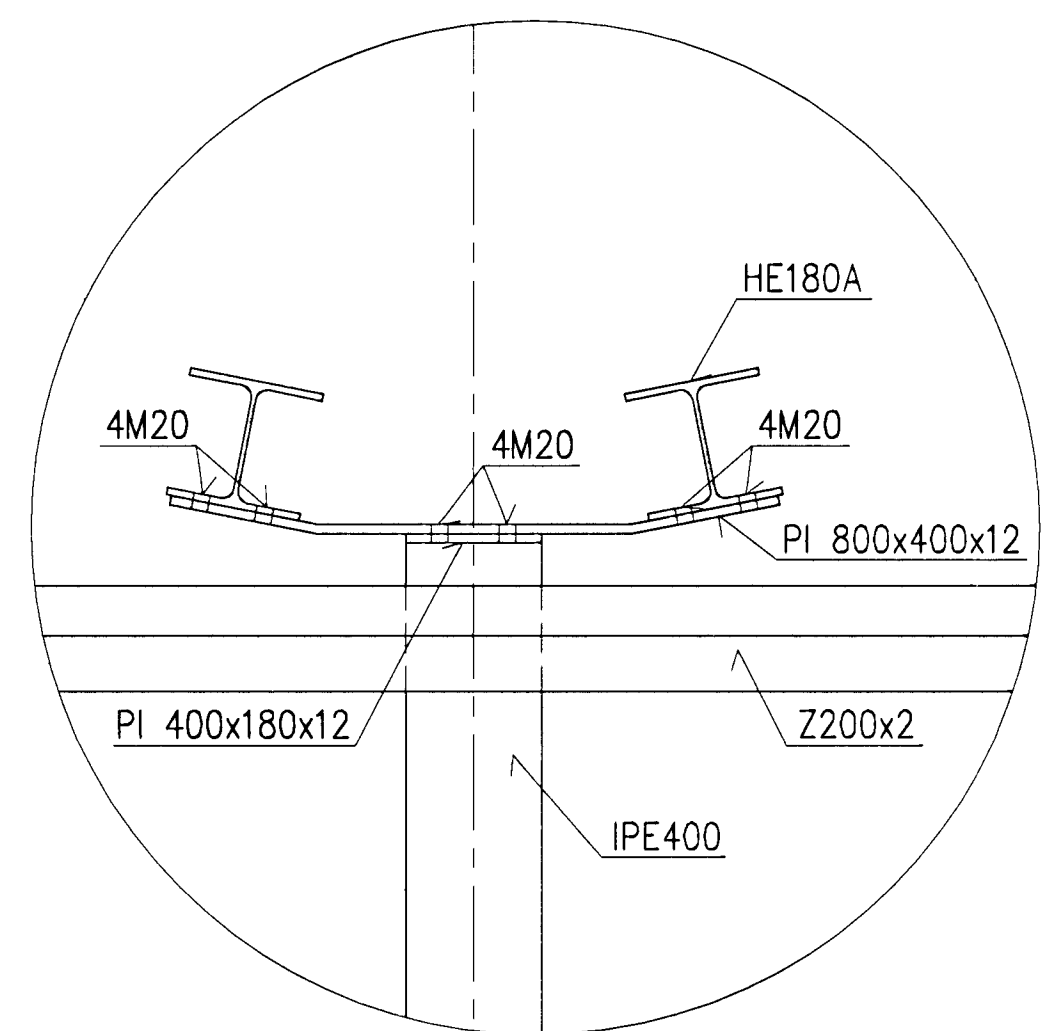
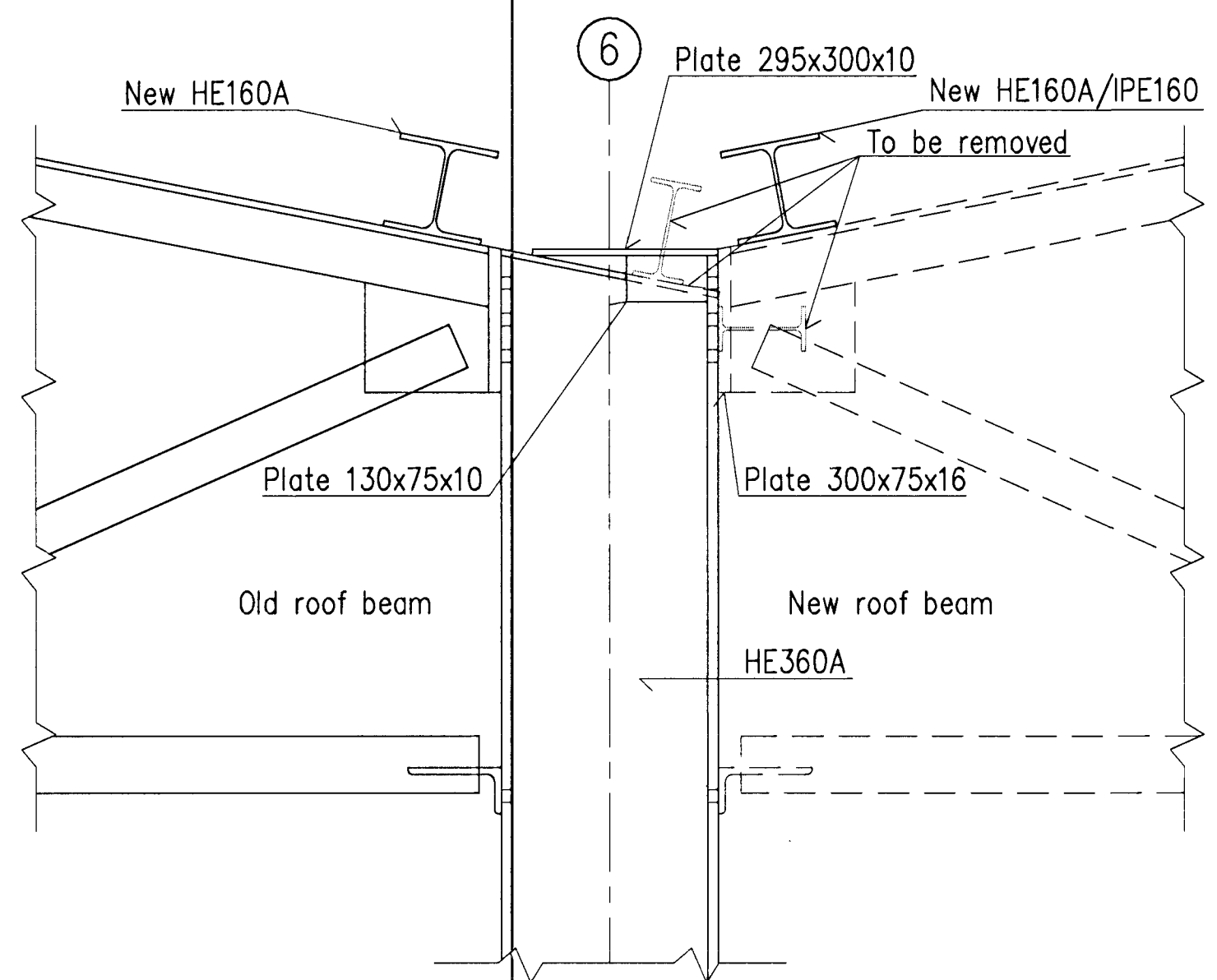


COLUMNS IN LINE 6, 1:10

D1 063 FASTENINGS FOR COLUMNS C5, IPE400, 1:10

D1a 063 FASTENINGS FOR COLUMNS C5, HE400A, 1:10

BRACING DETAIL AT GUTTERS, 1:10



Skýringar:  
 Legend

14	Record Drawing	2012.06.11	HS	NI	BS	MS			
Útg nr	Lýsing	Dagsetning	Har./Ún	Yfir	Notk heim	Notk heim			
Rev no	Description	Date	Des/Drw	Old	Suppl	ISAL Ref			

Dagsetning / Date		2008.10.01	
Hannað / Designed	Teikn / Drawn	LDB	
Verktaki / Supplier	HRV		
Teikn.nr.verktaka / Supplier drw.no.	IDP-410-ZA-015-065		
Samh.útt / Approved	Yfir / Chkd	NI	
Hluti af / Part of:			

IPU 410 - SUBSTATION		Flokkur nr.:	Blað nr.:	Nasta blnr.:
220 kV SWITCHYARD BLD.		Kostn.nr.-Ceno. /	Búnr.-Eq.no	
CLADDING DETAILS AND WALL BRACING		4011	01188	
STRUCUTURAL STEEL		AKS	UB01	
<b>RioTinto Alcan</b>		ISAL	Teikn.nr. ISAL /	Drw.no. of ISAL
Alcan Iceland Ltd		IS-222	251336	Breyt./Rev
ISAL Reykjavík				A
ISAL Reykjavík				