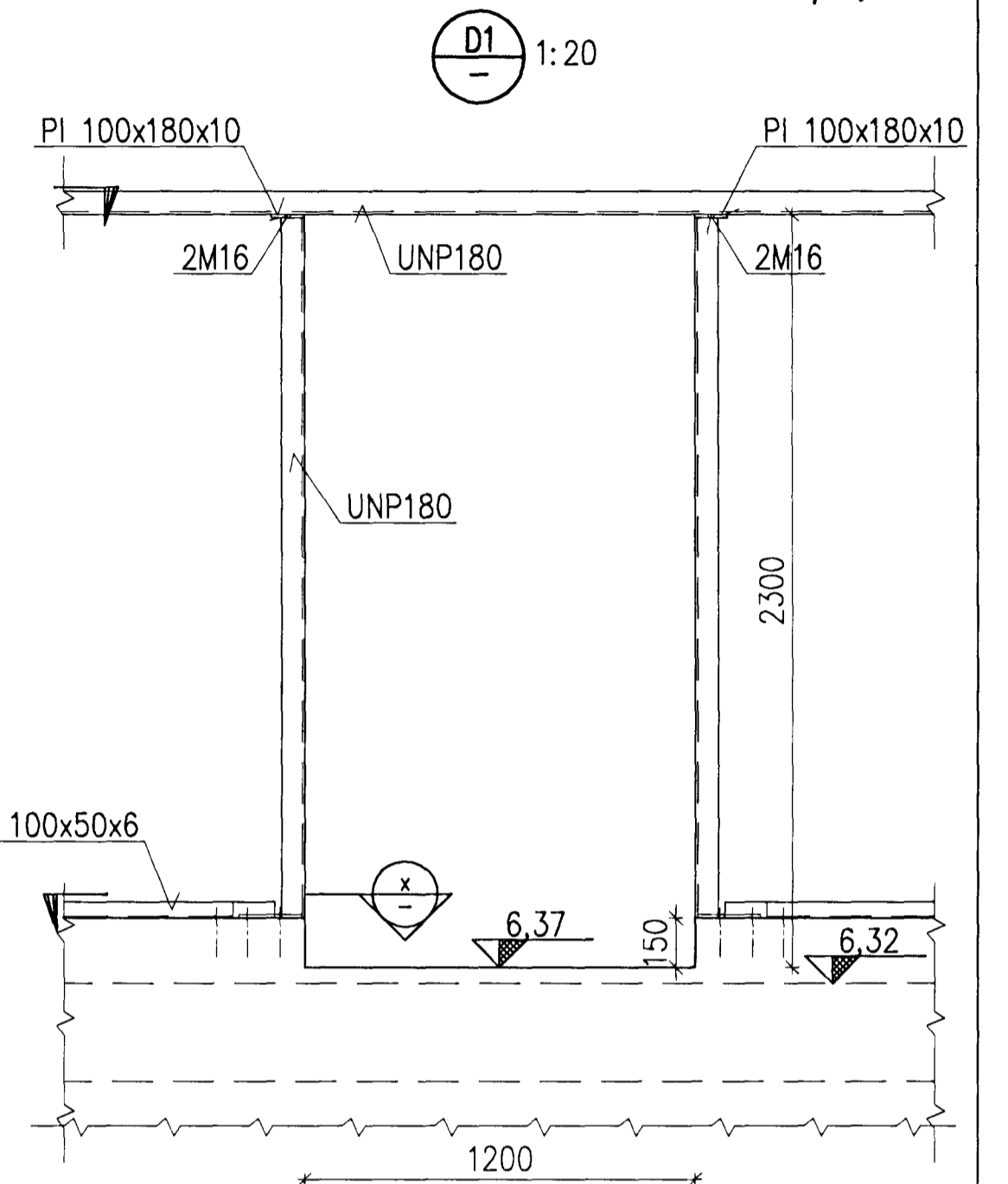
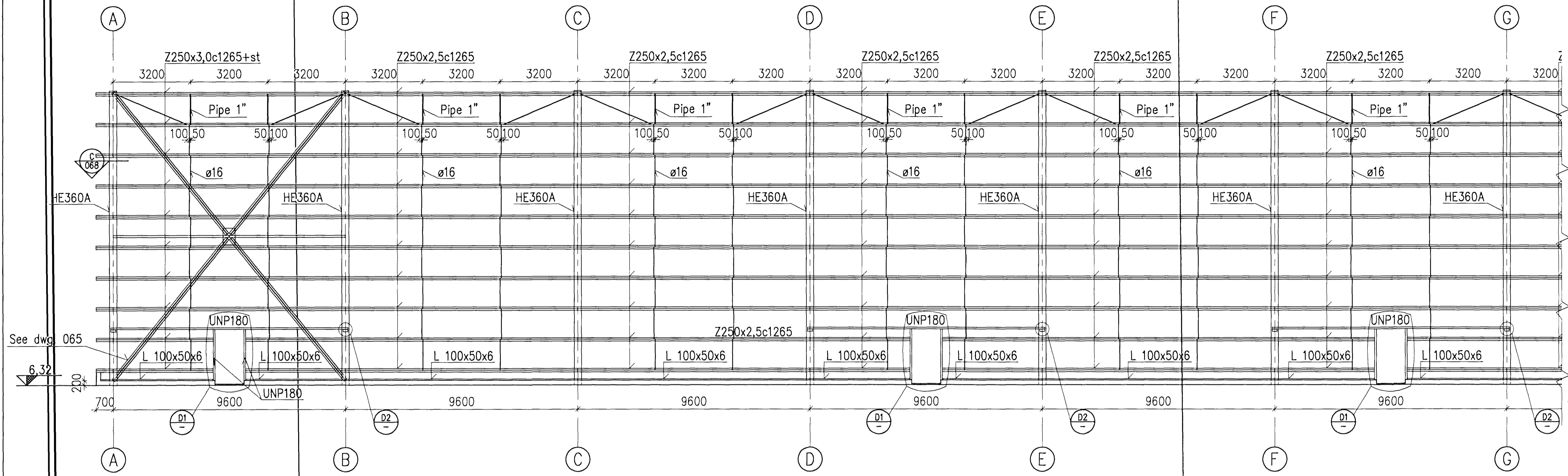


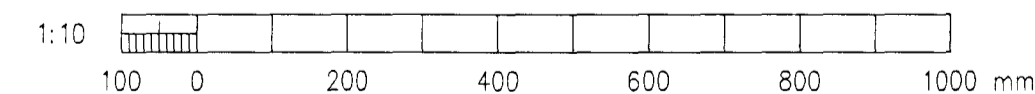
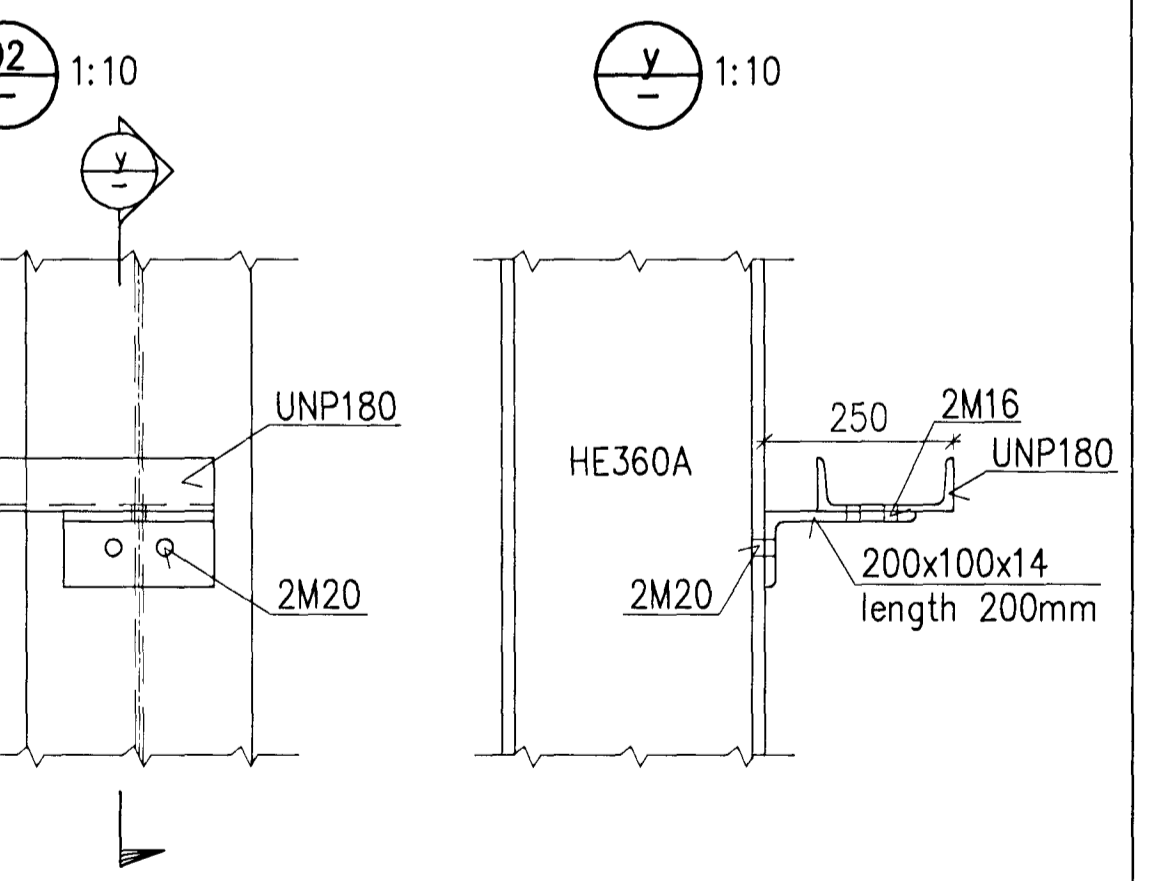
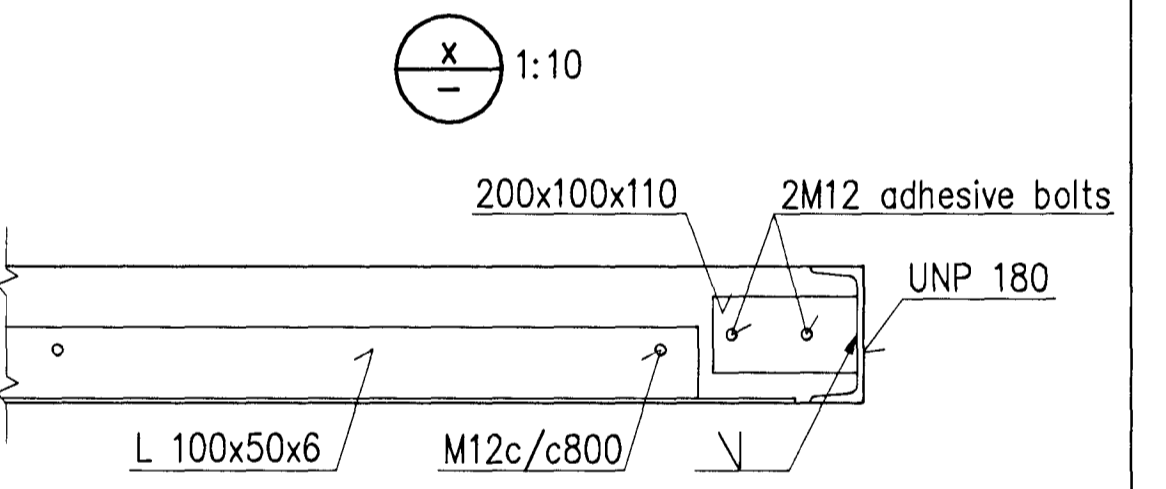
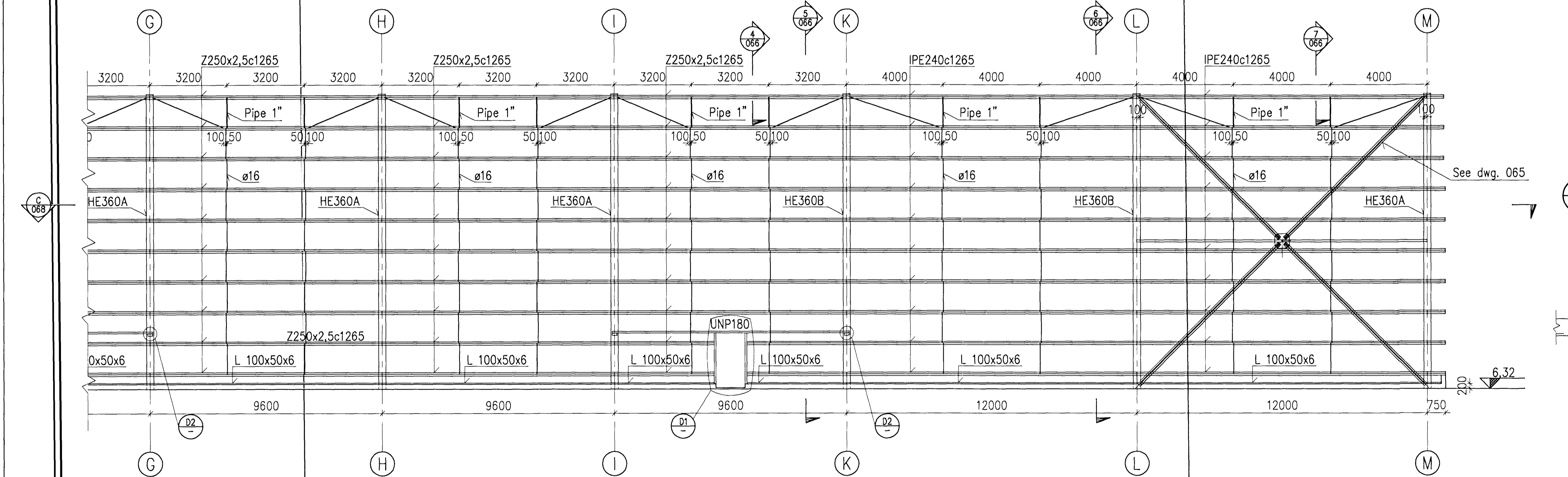
Samþykkt þann
01 OCT 2012
 Byggingafráttirinn / Hafnar
 Fh. Sigurður Steinar Jónsson

Nick Indriásson
 Kt. 181144-3949
 NI

WALL IN LINE 7
 OUTSIDE VIEW



WALL IN LINE 7
 OUTSIDE VIEW



Skýringar
 Legend:

1.3	Record Drawing	2012.06.11	HS	NI	BS	KER
Dwg. nr.	Description	Dagsetning / Date	Hor./An. Des./Dw.	Yfir. Dtd.	Notk. heim. / Nsk. heim. Suppl. Re.	ISAL Re.

This drawing is the property of Rio Tinto Alcan Iceland Ltd. and it may neither be copied nor made available for others without permission of Rio Tinto Alcan Iceland Ltd. The receiver is liable for any misuse.		Dagsetning / Date 2008.10.01	Teikn / Drawn LDB
HRV HATCH REAL PRODUCTION UPGRADE		Stærð / Scale A1 Mv. 1:10/20/100	Verktaki / Supplier HRV
Form / Form		Teikn.númer / Supplier drw.no. IDP-410-ZA-015-064	Skilríki / Approved NI
Hlutur af / Part of:		Dagsetning / Date 2008.10.01	

IPU 410 - SUBSTATION 220 kV SWITCHYARD BLD. WALLS, OUTSIDE VIEW 2/2		Flokkur nr.: / Blað nr.: 4011 / 01188
STRUCUTURAL STEEL		Kostn.nr.-Ceno. / Bón.nr.-Eq.no AKS UB01
RioTintoAlcan		ISAL Tekn.nr. ISAL / Drw.no. of ISAL / Breyt./Rev. 251335 / A
ISAL Yfirfarir og skilb. dags / ISAL Checked, date		ISAL Samþykkt, dags / ISAL Approval, date