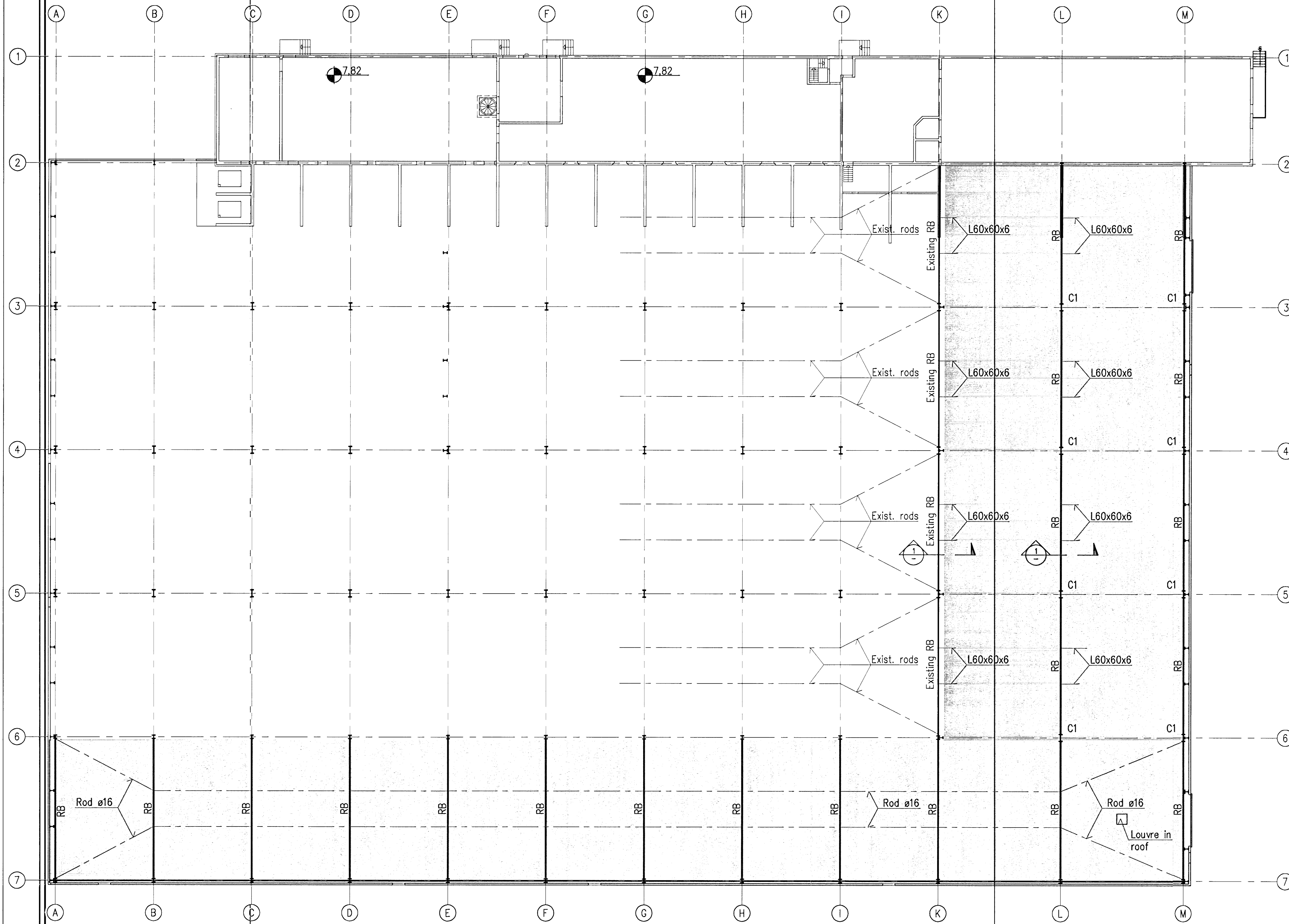


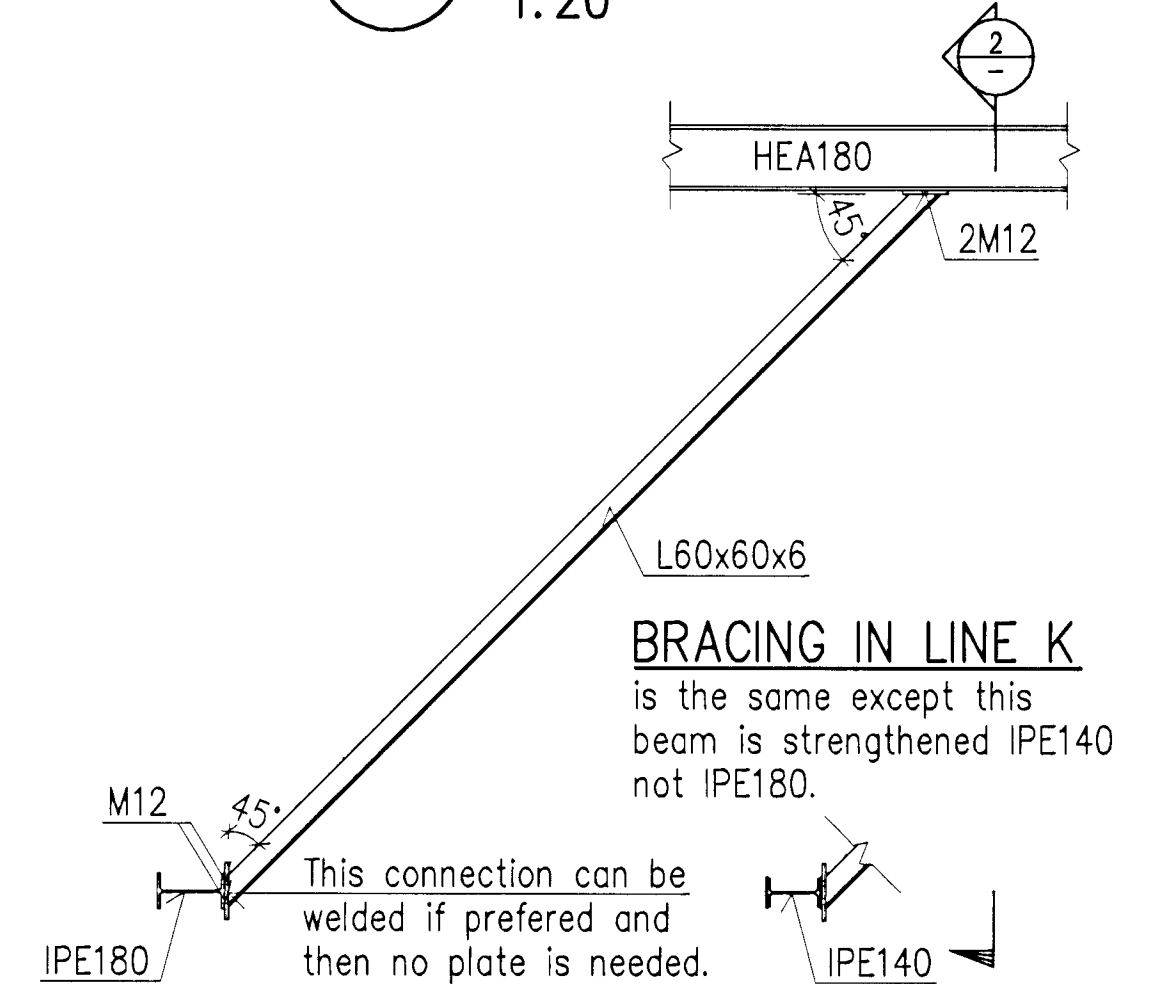
PLAN, 1:200



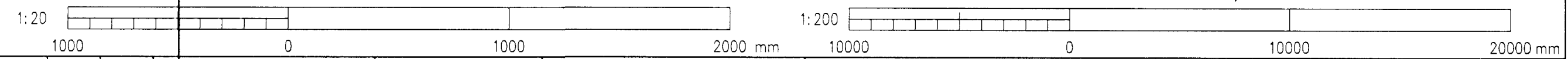
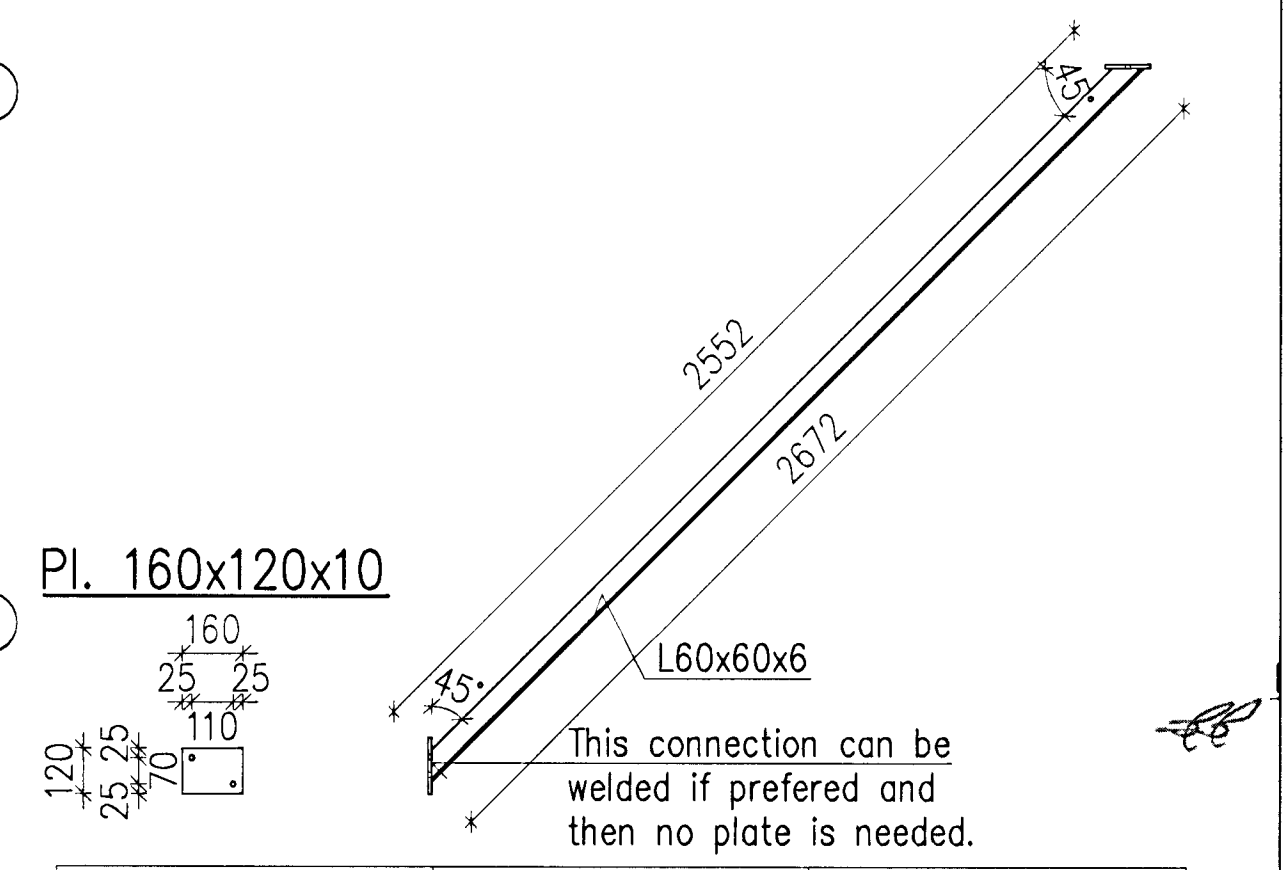
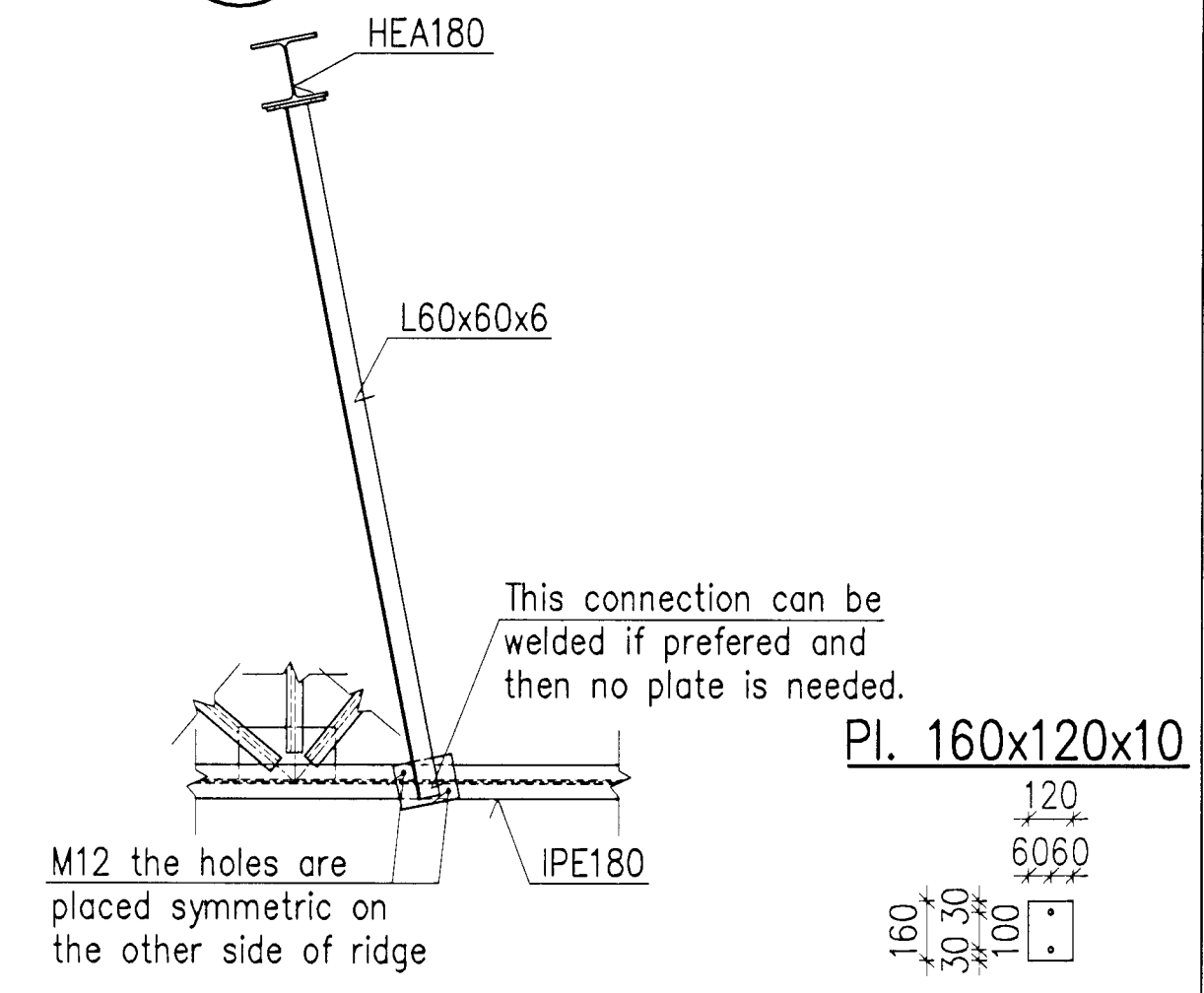
Samþykkt þann
 01 OCT 2012
 Byggingafulltrúiinn H. Stefánsson
 F.h. Sigurður Steinar Jónsson

Níels Indriðason
 Kt. 181144-3949

1 BRACING IN LINE L, SECTION 1:20



2 SECTION 1:20



Skýringar Legend:

	EXTENSION
	Rods are in elevation about +17,7

16	Record Drawing	2012.06.11	HS	NI	ES	ES
Ólg nr	Lýsing	Dagsetning	Har/Tin	Yfir	Notk heim	Notk heim
Rev no	Description	Date	Des/Drw	Chk	Suppl	ISAL Ret

This drawing is the property of Rio Tinto Alcan Iceland Ltd and handed out for personal use only. It may neither be copied nor made available to others without permission of Rio Tinto Alcan Iceland Ltd. The receiver is liable for any misuse.

Scale: 1:200/20
 Dimensions without tolerances according to ISO 2768-1 medium.

Dagsetning / Date: 2008.10.01	
Hannað / Designed: HS	Telk / Drawn: LDB
Verktaki / Supplier: HRV	
Tekn.nr.verktaka / Supplier drw.no: DP-410-ZA-015-062	Yfir / Chkd: NI
Samþykkt / Approved: NI	Hluti af / Part of:

IPU 410 - SUBSTATION		
220 kV SWITCHYARD BLD.		
ROOF BEAM LOWERGIRT BRACING		
STRUCTURAL STEEL		
Flokkur nr.:	Blöð nr.:	Næsta bl. nr.:
4011	01188	
Kostn.nr.-Ógno. / Búrn.nr.-Eg.no:	AKS	
UB01	AKS	
Tekn.nr. ISAL / Drw.no. of ISAL:	251333	
Breyt./Rev.:	A	
ISAL Samþykkt, dags / ISAL Approved, date		