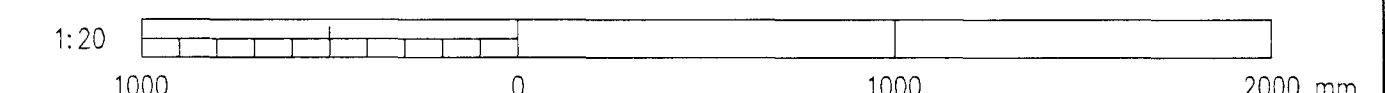
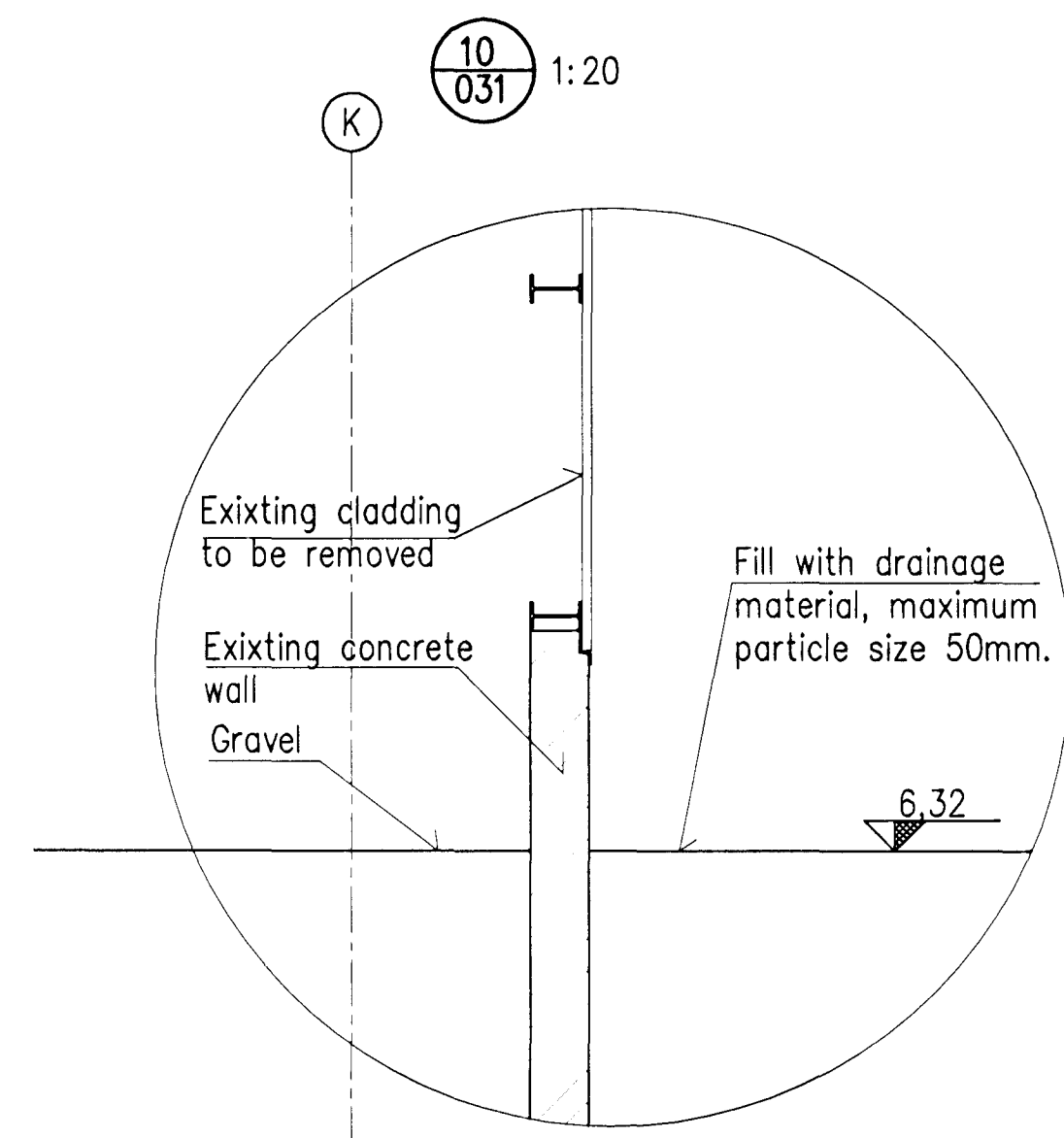
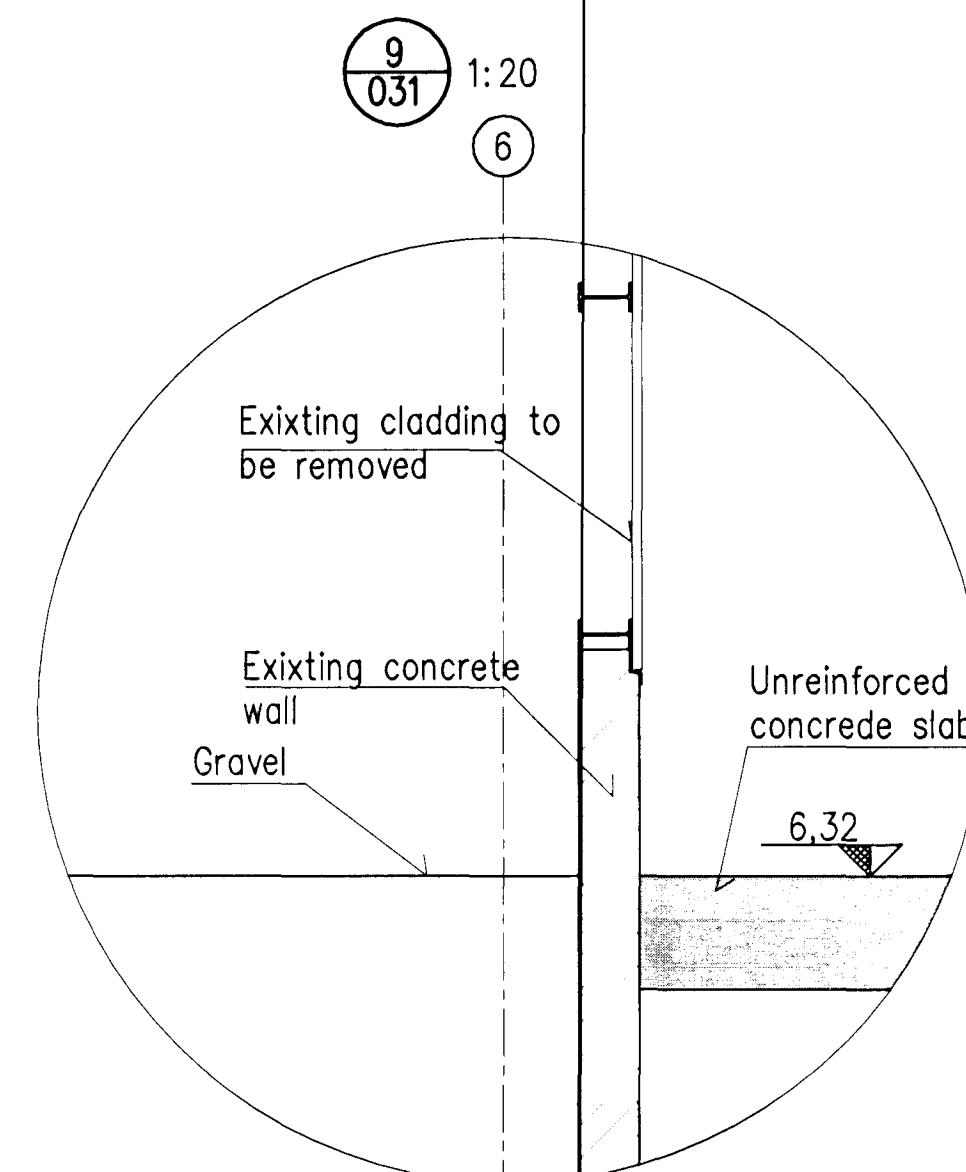
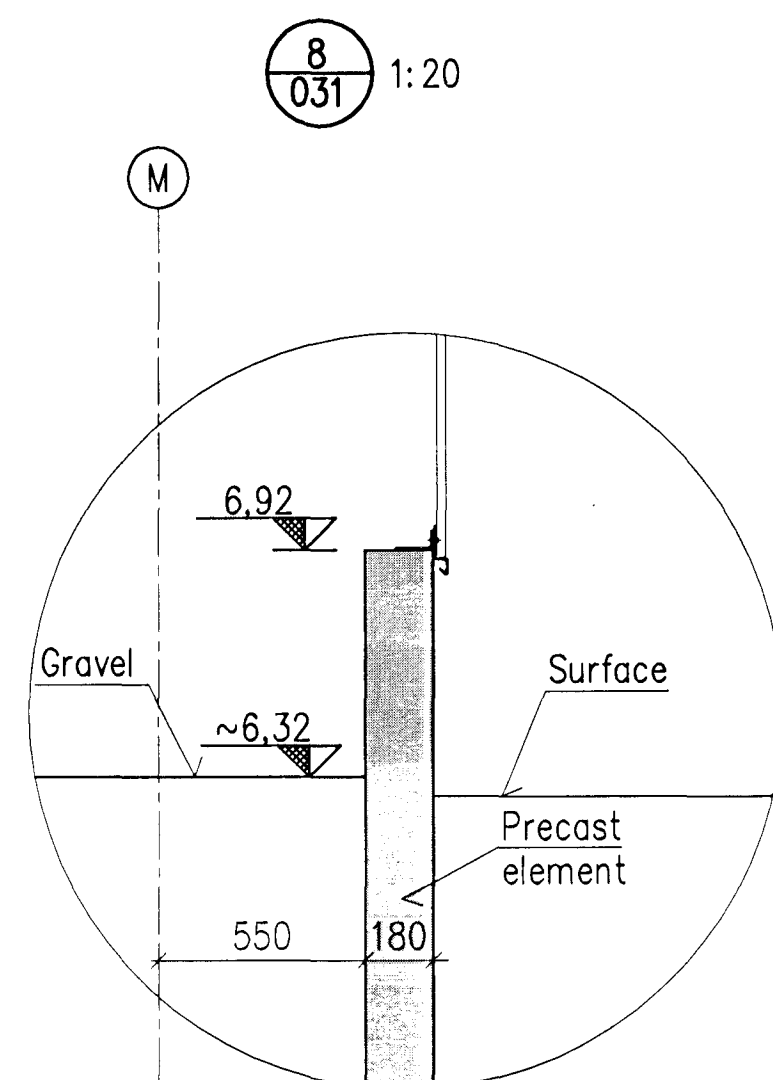
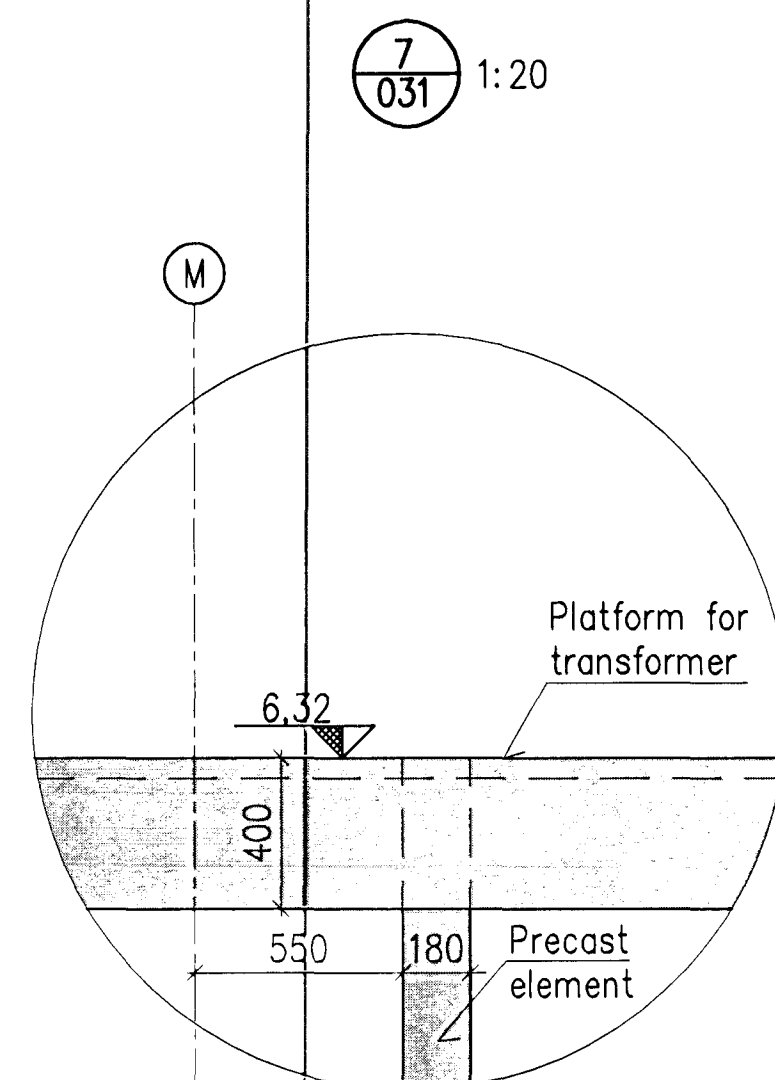
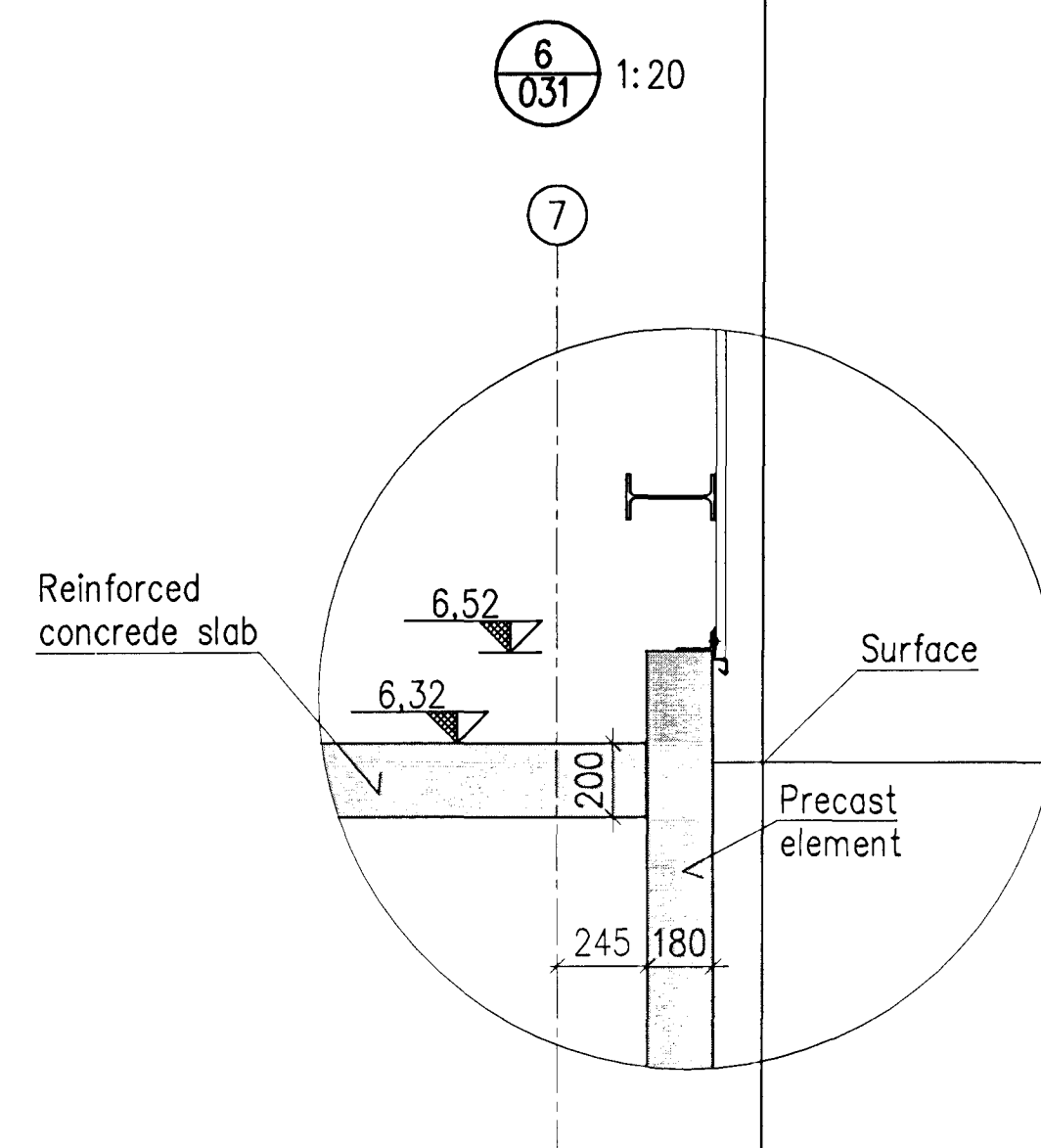
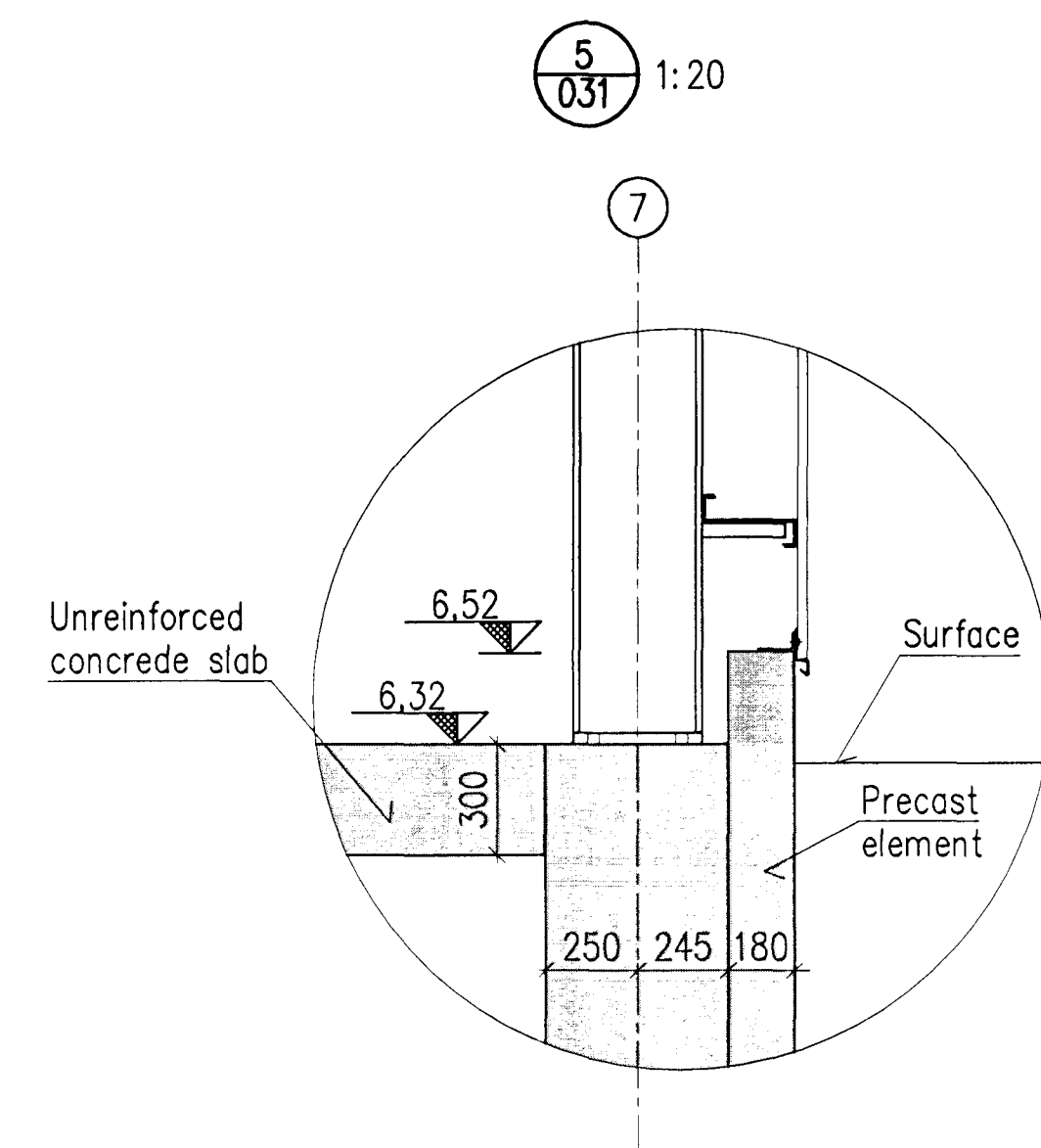
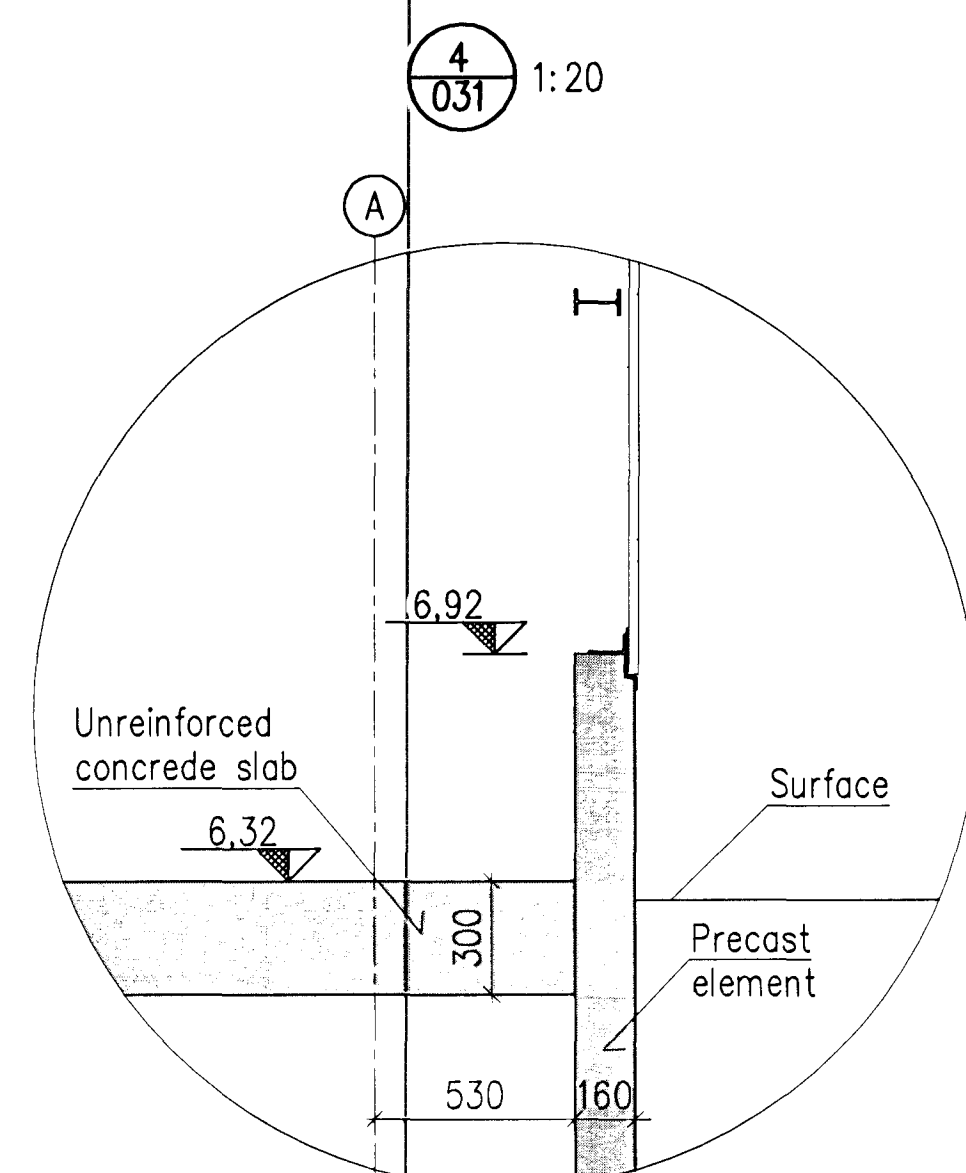


Nick Indriðason
 Kt. 181144-3949
 NSI



Skýringar:
 Legend

12	Record Drawing	2012.06.11	GMG	NI	ES	MS
Útg nr	Rev no	Dagsetning	Man/Ún	Yfir	Notk heim	Notk heim
		Date	Des/Dec	Chk	Suppl	ISAL Ref

This drawing is the property of Rio Tinto Alcan Iceland Ltd and handed out for personal use only. It may neither be copied nor made available to others without permission of Rio Tinto Alcan Iceland Ltd. The receiver is liable for any misuse.

Scale: 1:20
 Dimensions without tolerances according to ISO 2768-1 medium.



Dagsetning / Date 2010.09.01	
Hannað / Designed GMG	Tekni / Drawn GMG
Verktaki / Supplier HRV	
Tækn.nr.verktaka / Supplier drw.no. IDP-410-CA-015-082	
Samþykkt / Approved NI	Yfir / Chkd NI
Hluti af / Part of:	

IPU 410 - SUBSTATION
 220 kV SWITCHYARD BLD. AND
 WALL AND B.SLAB ARRANGEM., SECTIONS
 60 kV SWITCHGEAR BLD.

Rio Tinto Alcan
 Alcan Iceland Ltd
 Strásmark
 IS-222 Hafnarfordur
 Kjalarnes

Flakur nr.:	Blað nr.:	Næsta bl. nr.:
4011	4011	01188
Kostn.nr.-Cena. / Bú.nr.-Eq.no		
AKS UB01		
Tekn.nr. ISAL / Drw.no. of ISAL	Breyt./Rev.	
251238	A	