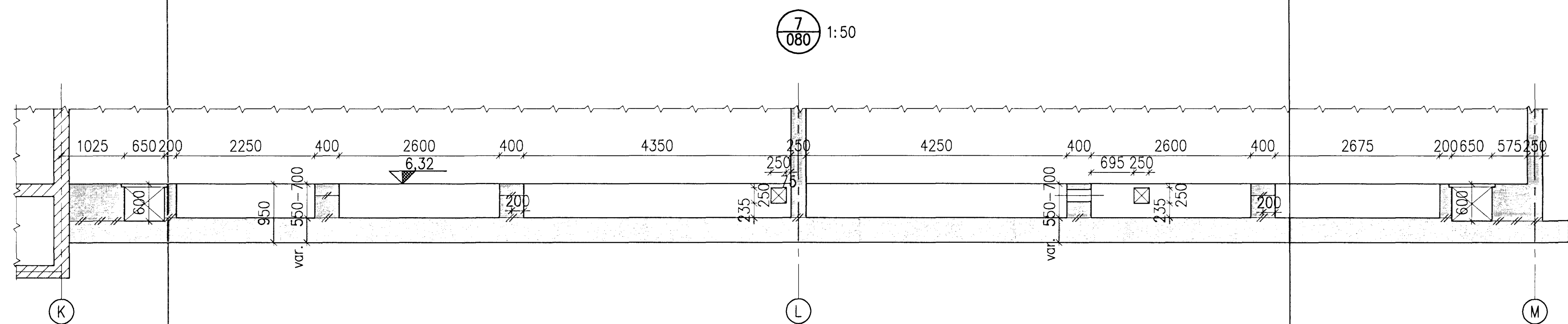
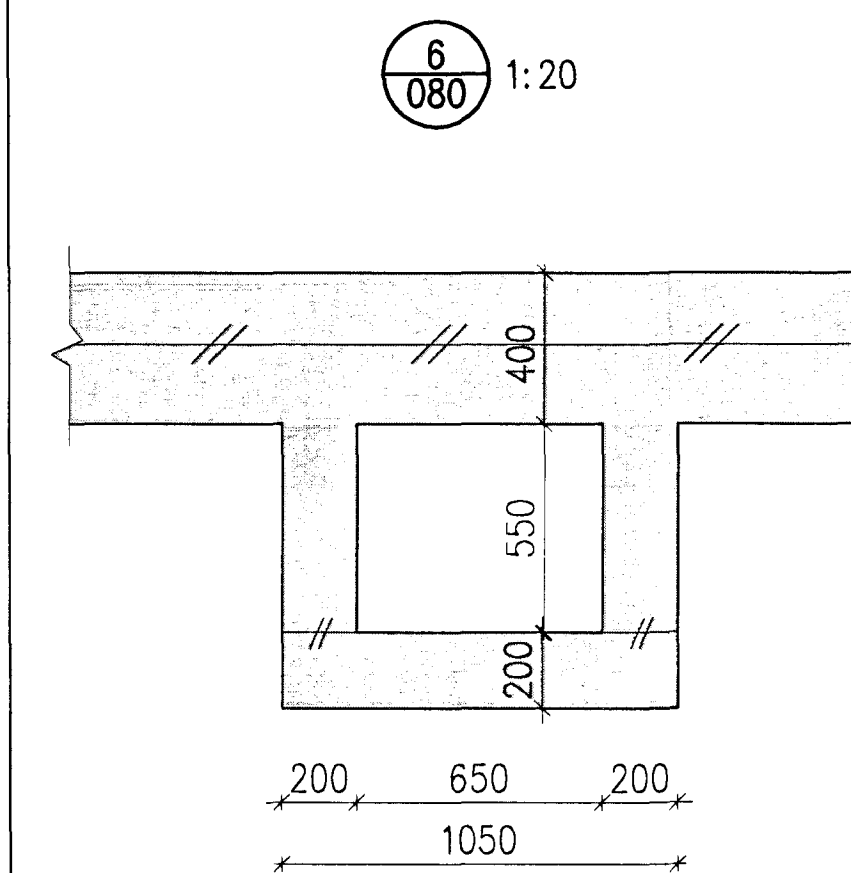
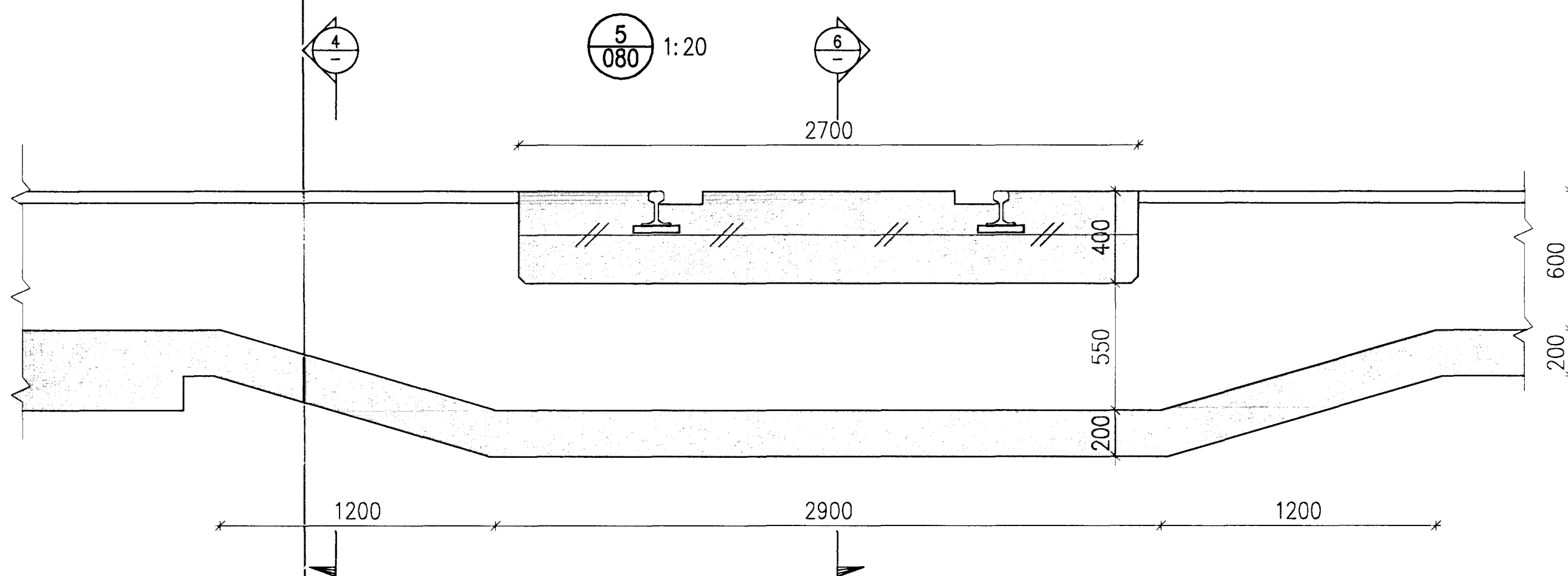
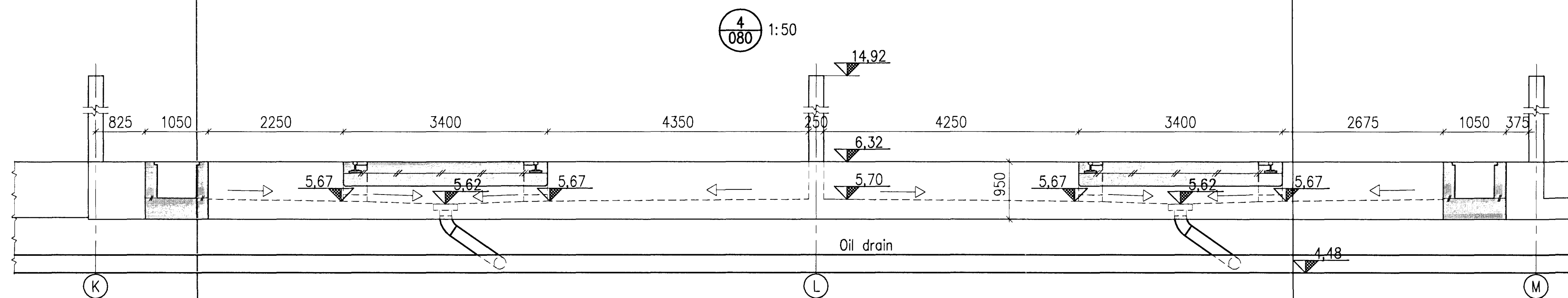
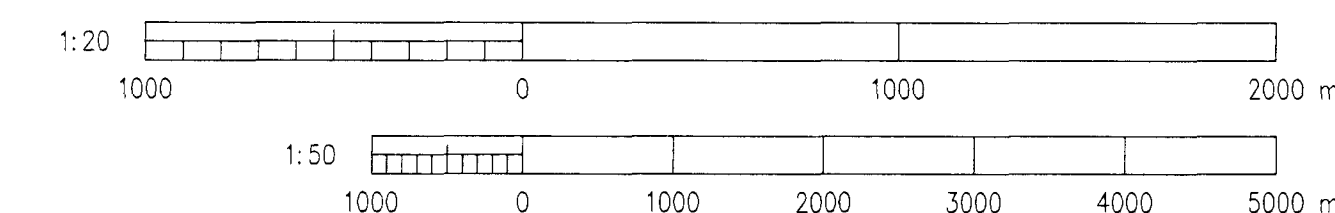


Samþykkt bann
 01 OCT 2012
 Byggingafulltrúinn / Hafið
 Fh. Sigurður Steinar Jónsson

Nick Indriðason
 Kt. 181144-3949
 NI



CONCRETE: C30/37;XF3-32



Skýringar
 Legend:

Ólg. nr. Rev. no.	Lýsing Description	Dagsetning Date	Han./Ún. Des./Dw.	Yfir Ckd.	Notk. heim. Suppl. Rel.	Notk. heim. ISAL Rel.
17	Record Drawing	2012.06.11	HS	NI	ES	MS

This drawing is the property of Rio Tinto Alcan Iceland Ltd. It may neither be copied nor made available to others without permission of Rio Tinto Alcan Iceland Ltd. The receiver is liable for any misuse.

Stærð: A1
 Mskr.: Scale: 1:20, 1:50
 Dimensions without tolerances according to ISO 2768-T medium.

HRVA HATCH
 ISAL PRODUCTION DEPARTMENT

Dagsetning / Date: 2010.09.07
 Hannað / Designed: HS
 Teikn. / Drawn: ÁFV
 Verktaki / Supplier: HRV
 Teikn.nr./verktaka / Supplier drw.no.: IDP-410-CA-015-081
 Samþykkt / Approved: NI
 Yfir / Ckd: NI
 hluti af / Part of:

IPU 410 - SUBSTATION 220 kV SWITCHYARD BLD. TRANSEFORMER BAYS, SECTIONS		Flokkur nr.: 4011	Blað nr.: 01188	Næsta bl.: AKS UB01
CONCRETE WORK		Teikn.nr. ISAL / Drw.no. of ISAL: 251237		
Rio Tinto Alcan		ISAL Akan kóland Ltd Síamark IS-222 Hafnarforður kóland		
ISAL Yfirráð og skráð, dags / ISAL Checked, date		ISAL Samþ. / dags / ISAL Approval, date		