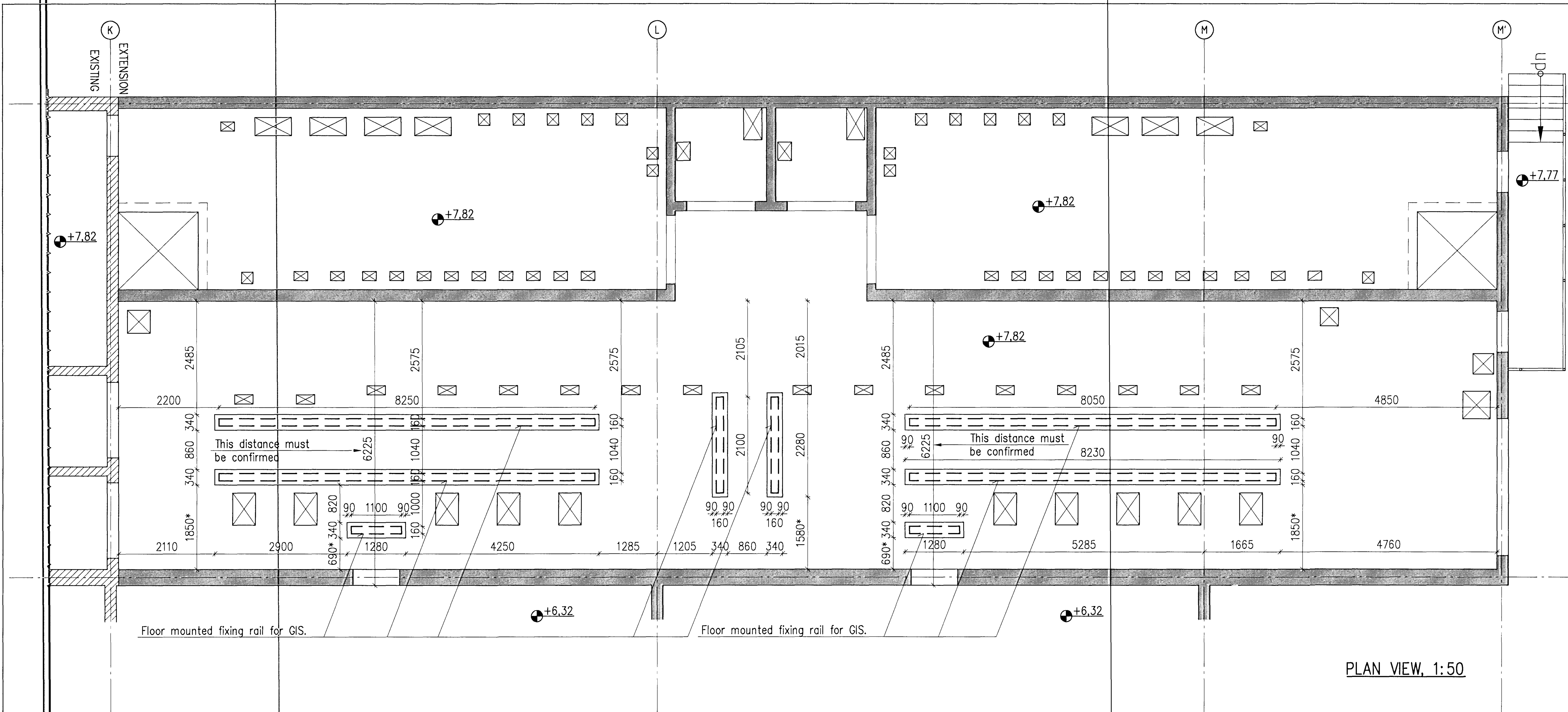
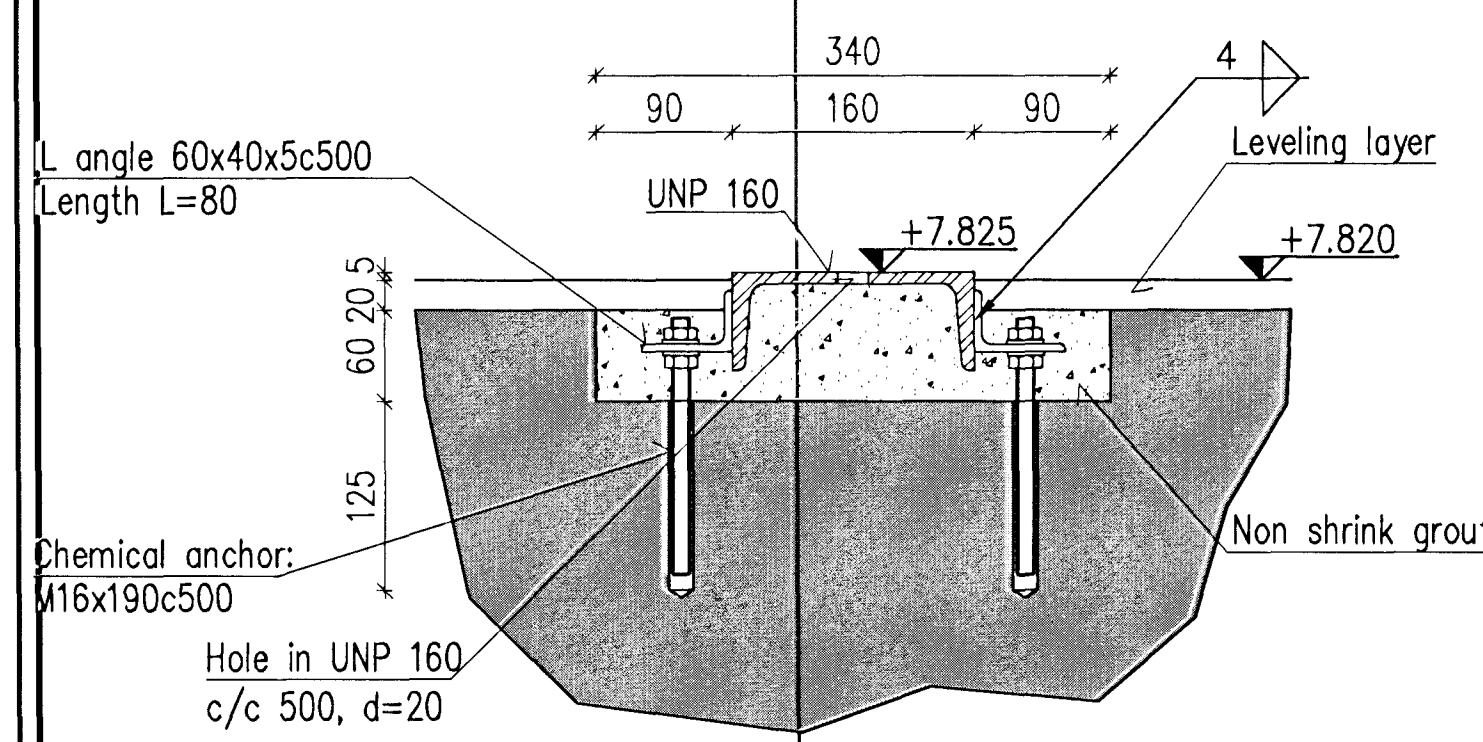


Samþykkt þann
 01 OCT 2012
 Byggingafulltrúinn í Hafnarvík
 F.h. Sigurður Steinar Jónsson

Níel Indriðason
 Kt. 181144-3949
 NI

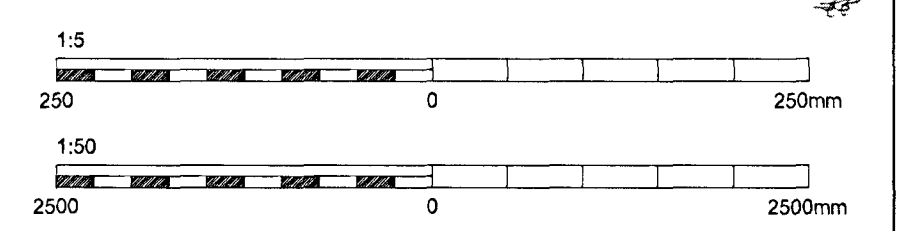


PLAN VIEW, 1:50



Non shrink grout C40 from Mapei or equal.
 Before grout is poured through holes in UNP profile, the surface shall be clean and dry.
 Leveling layer shall be a self-leveling screed, i.e. Max it 4160 or equal.
 Work shall be done according to manufacturers instructions.

FIXING RAIL FOR GIS, 1:5



Skýringar / Legend: *Measurements to concrete wall without insulation.	This drawing is the property of Rio Tinto Alcan Iceland Ltd. and handed out for personal use only. It may neither be copied nor made available to others without permission of Rio Tinto Alcan Iceland Ltd. The receiver is liable for any misuse.				Dagsetning / Date: 2010.11.08 Hannað / Designed: IAJ Tækn / Drawn: IAJ		IPU 410 SUBSTATION 60 kV SWITCHGEAR BLD. GIS SUPPORT, LEVELING LAYER		Blátt númer / Sheet no.: 4011 Blátt númer / Sheet no.: 01188		
	Stafr / Format: A1 Mikk / Scale: 1:5, 1:50 Dimensjónir án tolerance / Dimensions without tolerances according to ISO 2768-1 medium.				Verktaki / Supplier: HRV Tækn númer verktaka / Supplier drw.no: IDP-410-CA-015-061 Samþykkt / Approved: NI Múlti af / Part of:		Teg. teikningar / Dwg. type: FLOOR 7,82		Tækn númer ISAL / Drw.no. of ISAL: 251234 Breyt / Rev: A		
14 Record Drawing Lýsing / Description:	2012.06.11 Dagsetning / Date:	IAJ Har / Tin / Des / Draw:	NI Yf / Dd:	MS Notk heim / Notk heim / Equal Ref:	MS Notk heim / Notk heim / Equal Ref:	HRV & HATCH ISAL PRODUCTION UPGRADES		Rio Tinto Alcan Alcan Iceland Ltd Stráumvirk IS-222 Hafnarvörður Ísland		ISAL Samþykkt, dags / ISAL Approval, date	