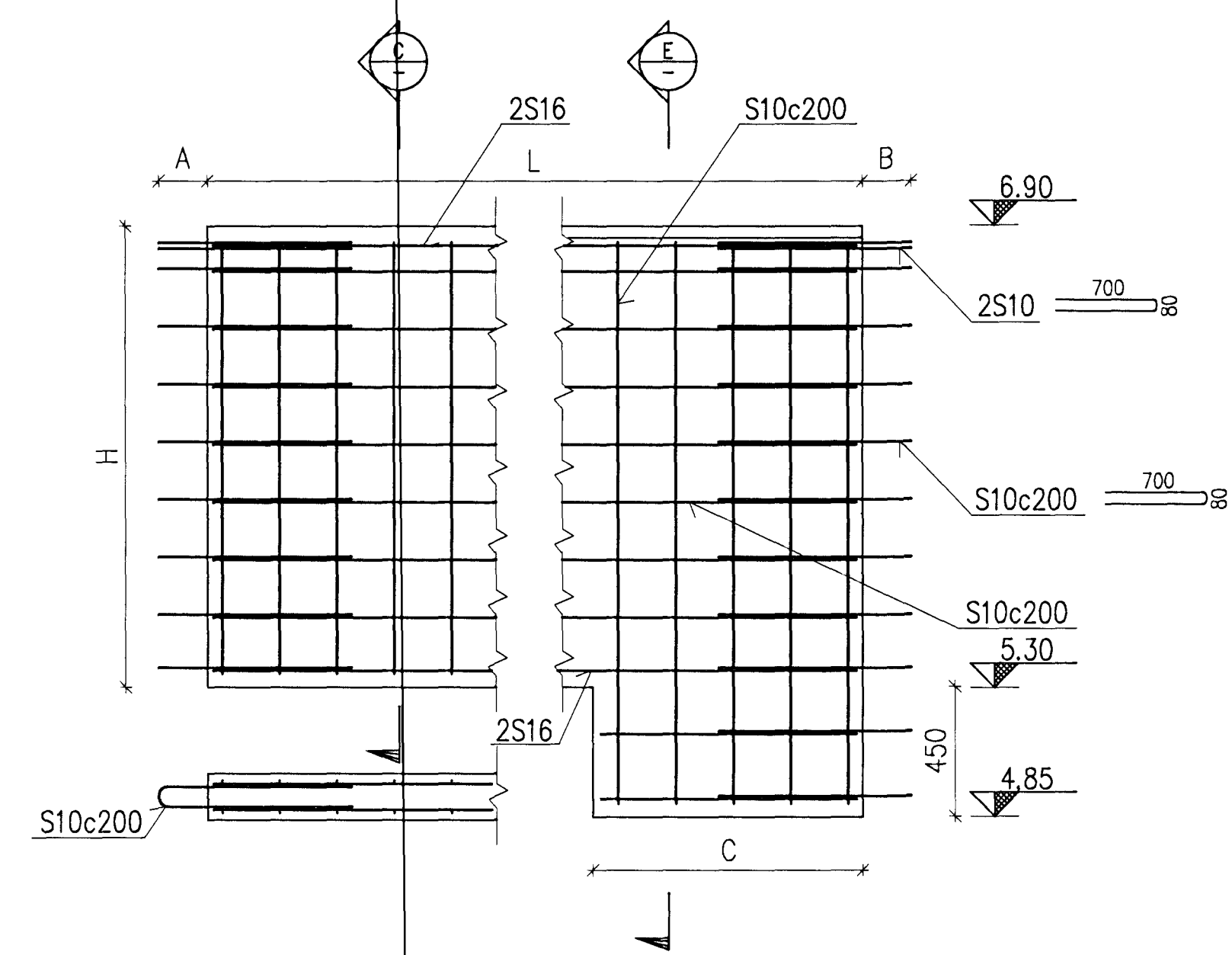
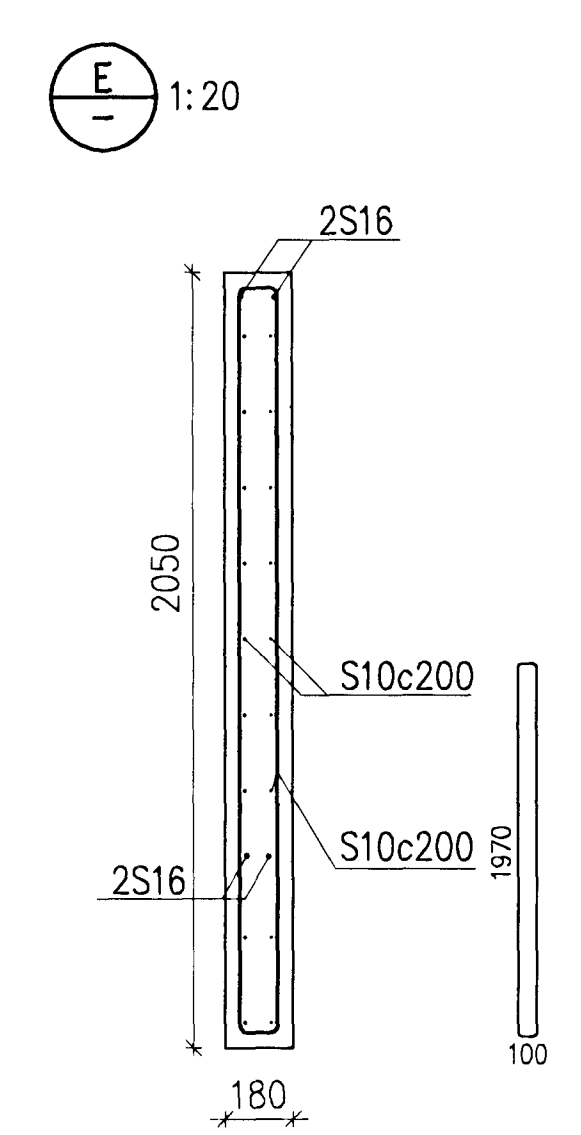
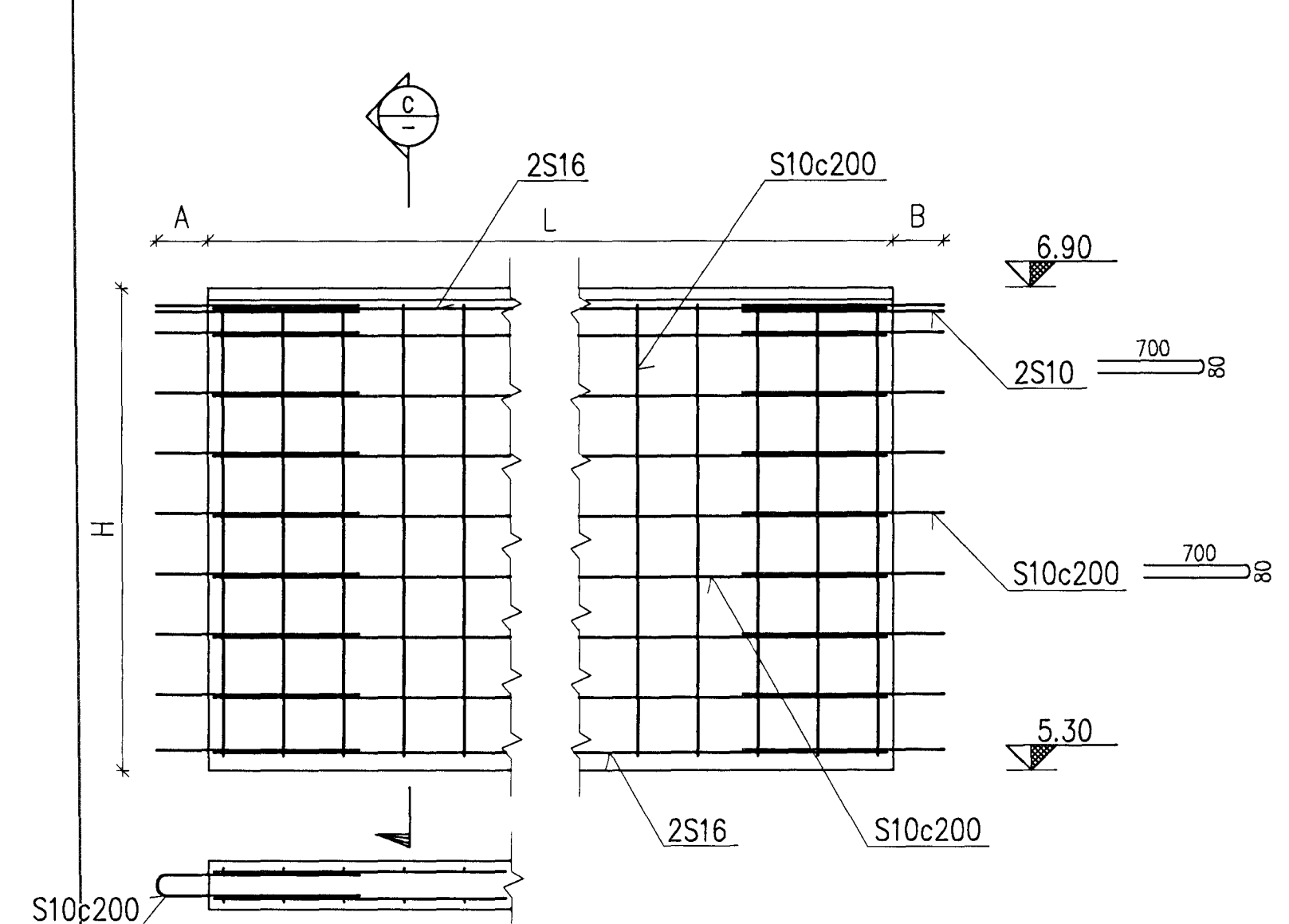
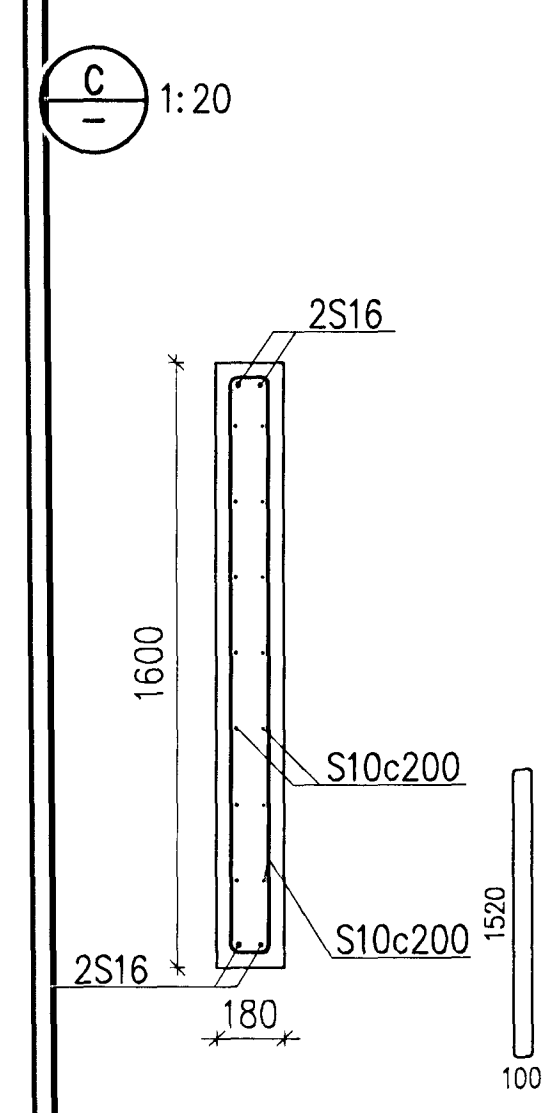
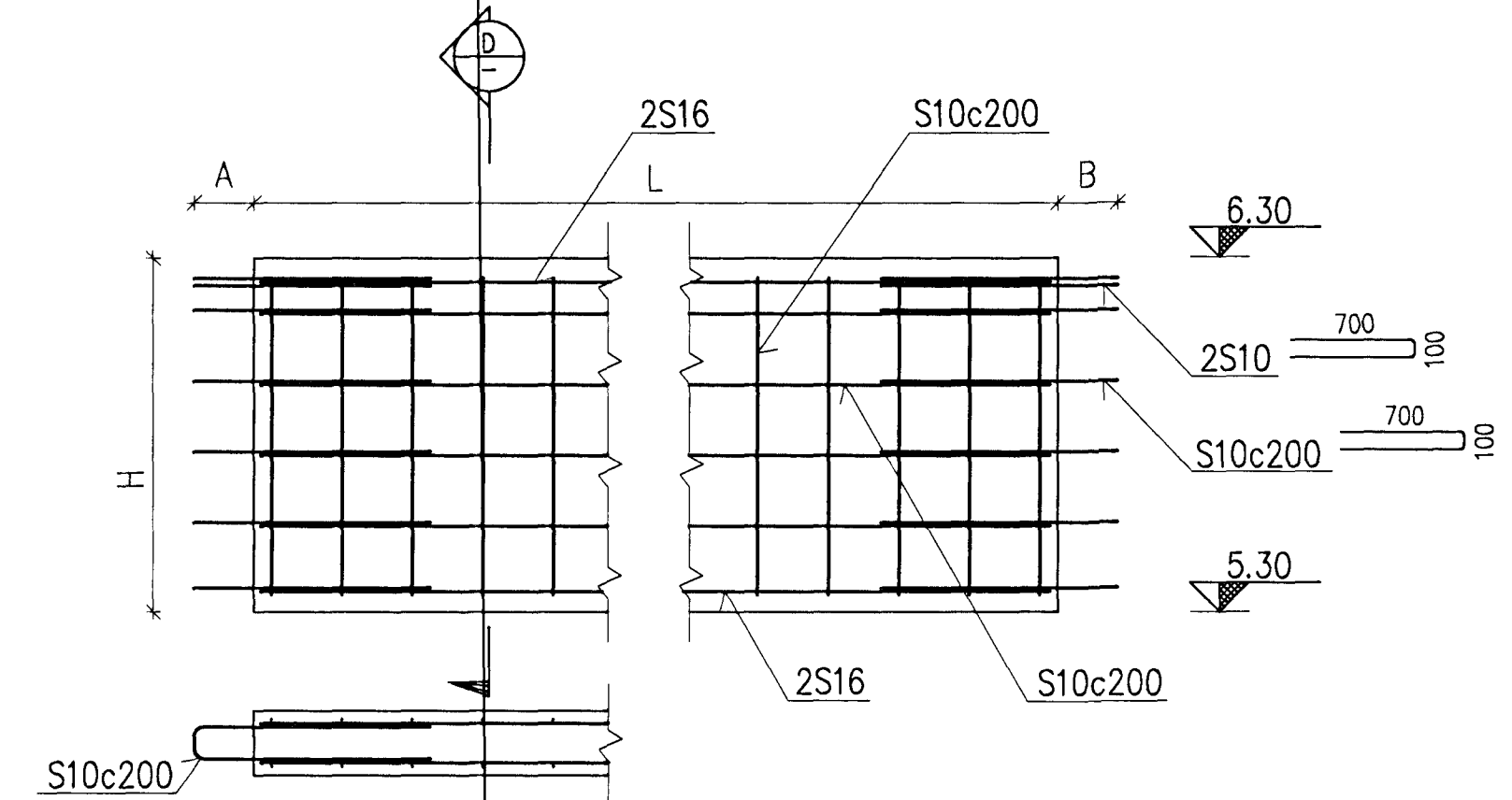
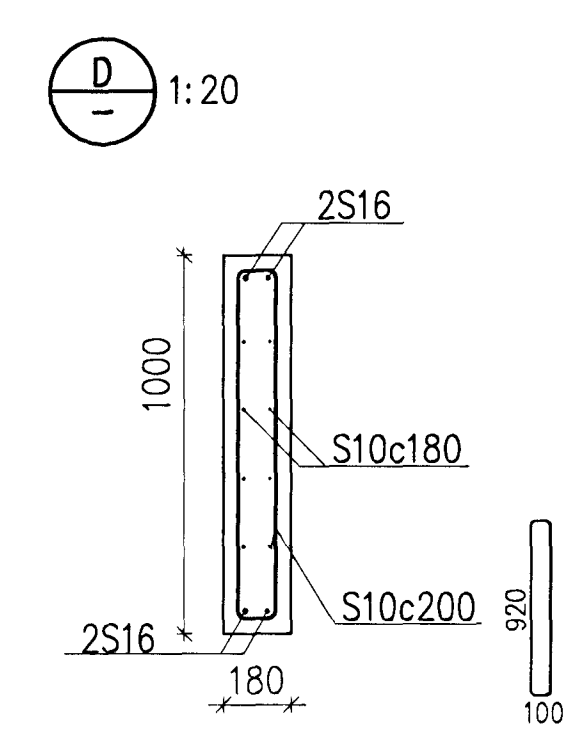
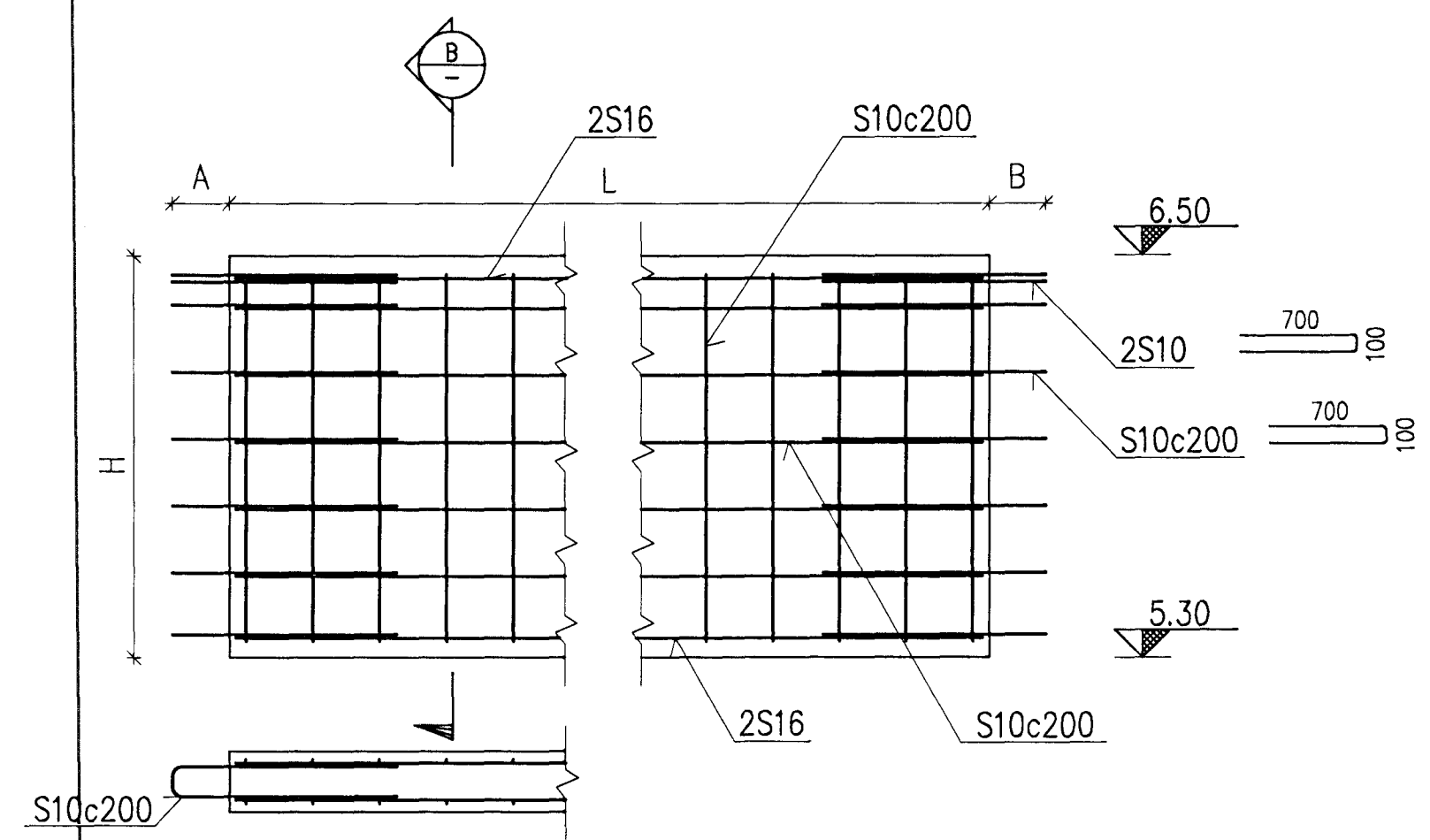
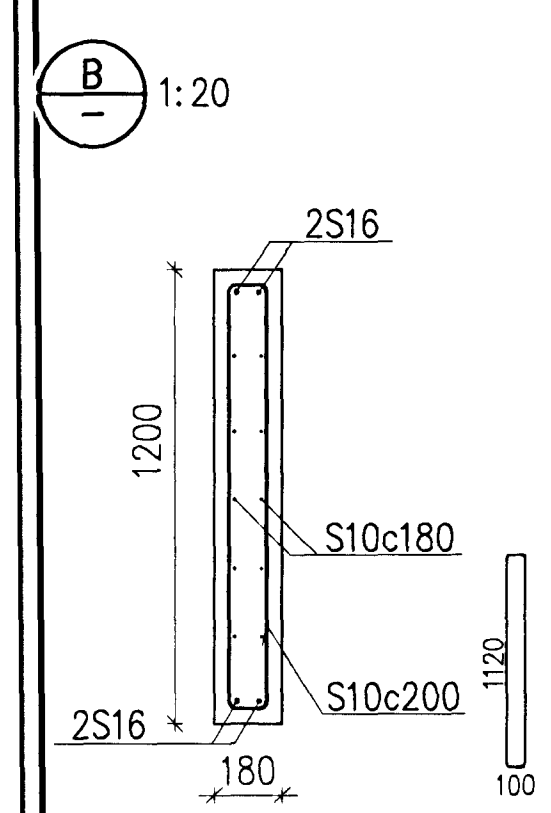
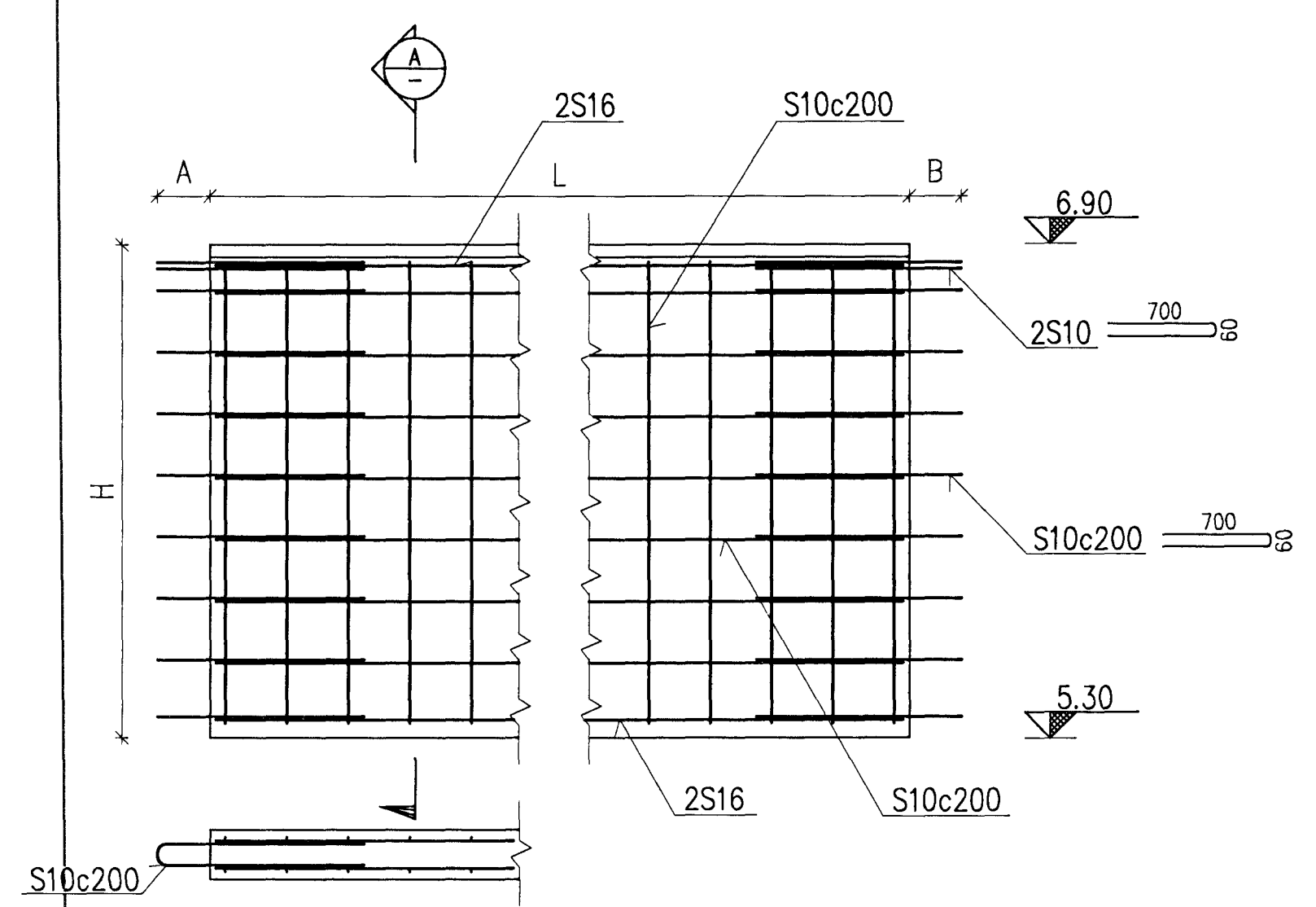
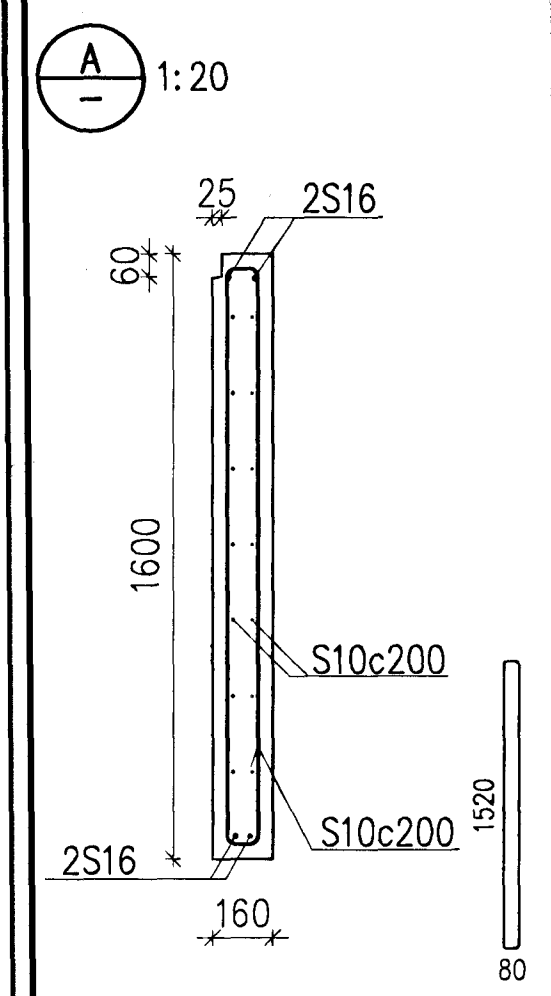


Samþykkt þann
 01 OCT 2012
 Byggingafulltrúinn / Hafi
 Fh. Sigurður Steinar Jónsson

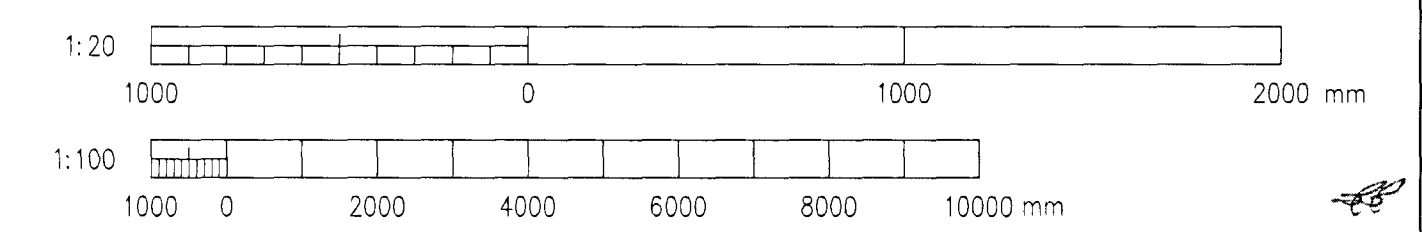
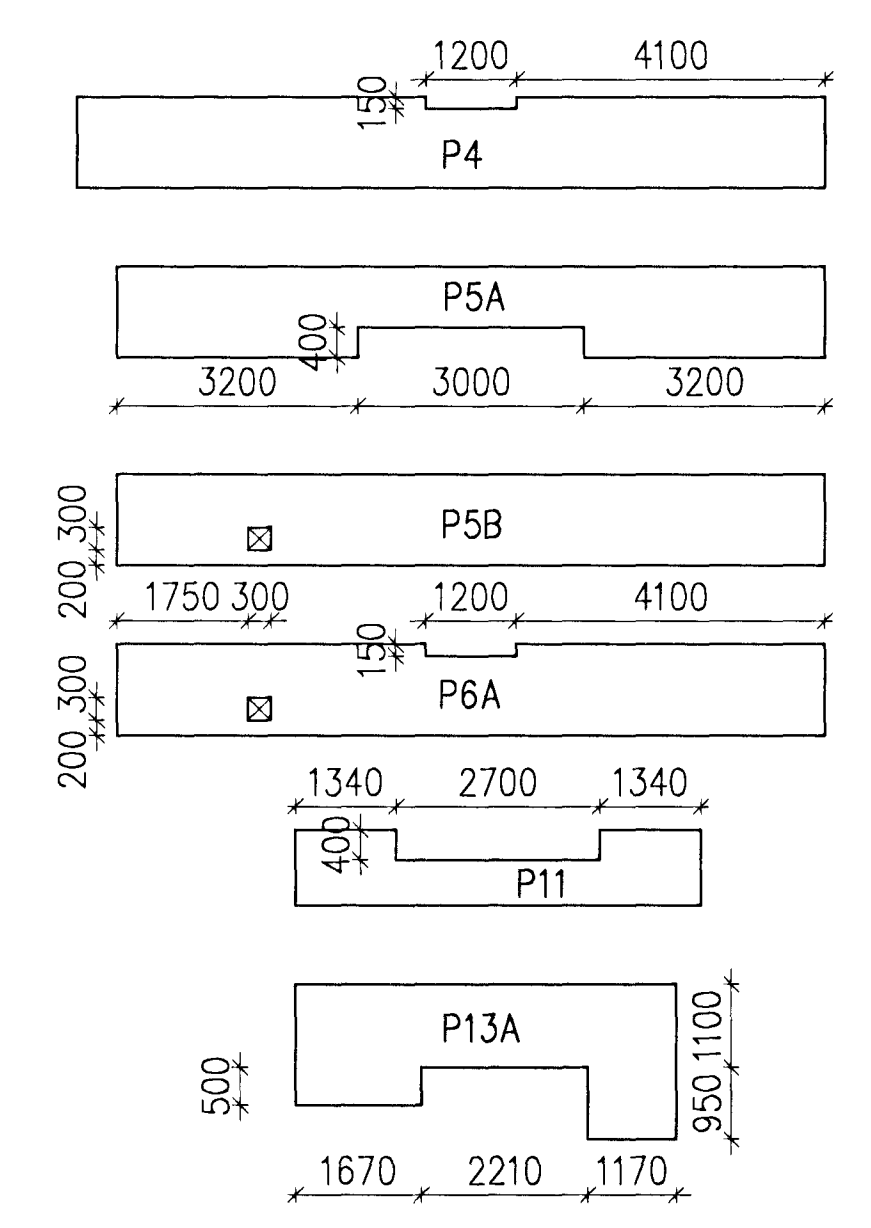
Nick Indriðason
 Kt. 181144-3949
 NI

PRECAST ELEMENTS

Element	L	H	C	A	B	pcs	Section
P1	4700	1600		170	170	1	A
P2	3300	1600		170	170	1	A
P3	5300	1600		170	250	1	A
P4	9930	1200		230	170	1	B With cutout for door opening
P5	9400	1200		170	170	2	B
P5A	9400	1200		170	170	2	B With cutout for cables
P5B	9400	1200		170	170	1	B With cutout for pipe
P6	9400	1200		170	170	1	B With cutout for door opening
P6A	9400	1200		170	170	2	B With cutout for door and pipe
P7	11800	1200		170	170	1	B
P8	12350	1200		170	250	1	B
P9	3200	1600		250	170	1	C
P10	1800	1600		170	170	1	C
P11	5390	1000		170	170	2	D With cutout for railslab
P12	1100	2050		170	170	1	C
P13	5050	1600	1900	170	170	6	C-E
P13A	5050	1600	1170	170	170	1	C With cutout for cables
P14	3300	1600		170	170	3	C
P15	4750	1600		170	170	1	C



CUT OUTS. 1:100



Skýringar: Legend:	<table border="1"> <tr> <td>12</td> <td>Record Drawing</td> <td>2012.06.11</td> <td>HS</td> <td>NI</td> <td>ES</td> <td>PER</td> </tr> <tr> <td>Þing nr</td> <td>Lýsing</td> <td>Dagsetning</td> <td>Höfundur</td> <td>Yfirlit</td> <td>Nett heim</td> <td>Nett heim</td> </tr> <tr> <td>Rev no</td> <td>Description</td> <td>Date</td> <td>Des/Drw</td> <td>Old</td> <td>Suppl</td> <td>ISAL</td> </tr> </table>	12	Record Drawing	2012.06.11	HS	NI	ES	PER	Þing nr	Lýsing	Dagsetning	Höfundur	Yfirlit	Nett heim	Nett heim	Rev no	Description	Date	Des/Drw	Old	Suppl	ISAL	This drawing is the property of Rio Tinto Alcan Iceland Ltd and handed out for personal use only. It may neither be copied nor made available to others without permission of Rio Tinto Alcan Iceland Ltd. The receiver is liable for any misuse. Stærð: A1 Máv: 1:20/100 Færslu: IDP-410-CA-015-058 Dimensions without tolerances according to ISO 2768-1 medium.		Dagsetning / Date: 2008.10.01 Hönnuð / Designed: HS Tækn / Drawn: LDB Verktaki / Supplier: HRV Tækn nr. verktaka / Supplier draw no.: IDP-410-CA-015-058 Samþykkt / Approved: NI Hluti af: / Part of:	IPU 410 - SUBSTATION 220 kV SWITCHYARD BLD. PRECAST ELEMENTS REINFORCEMENT RioTinto Alcan Alcan Iceland Ltd Straumavík IS-222 Hafnarfjörður Ísland	Flakkr nr.: Blað nr.: Næsta bl. nr.: Kostn. nr. - Ccno. / Bón. nr. - Eano: 4011 01188 AKS UB01 Tækn nr. ISAL / Drw. no. of ISAL: 251233 Breyt./Rev: A
		12	Record Drawing	2012.06.11	HS	NI	ES	PER																			
Þing nr	Lýsing	Dagsetning	Höfundur	Yfirlit	Nett heim	Nett heim																					
Rev no	Description	Date	Des/Drw	Old	Suppl	ISAL																					
ISAL Vírfráð og skráð, dags. / ISAL Checked, date ISAL Samþykkt, dags. / ISAL Approved, date																											