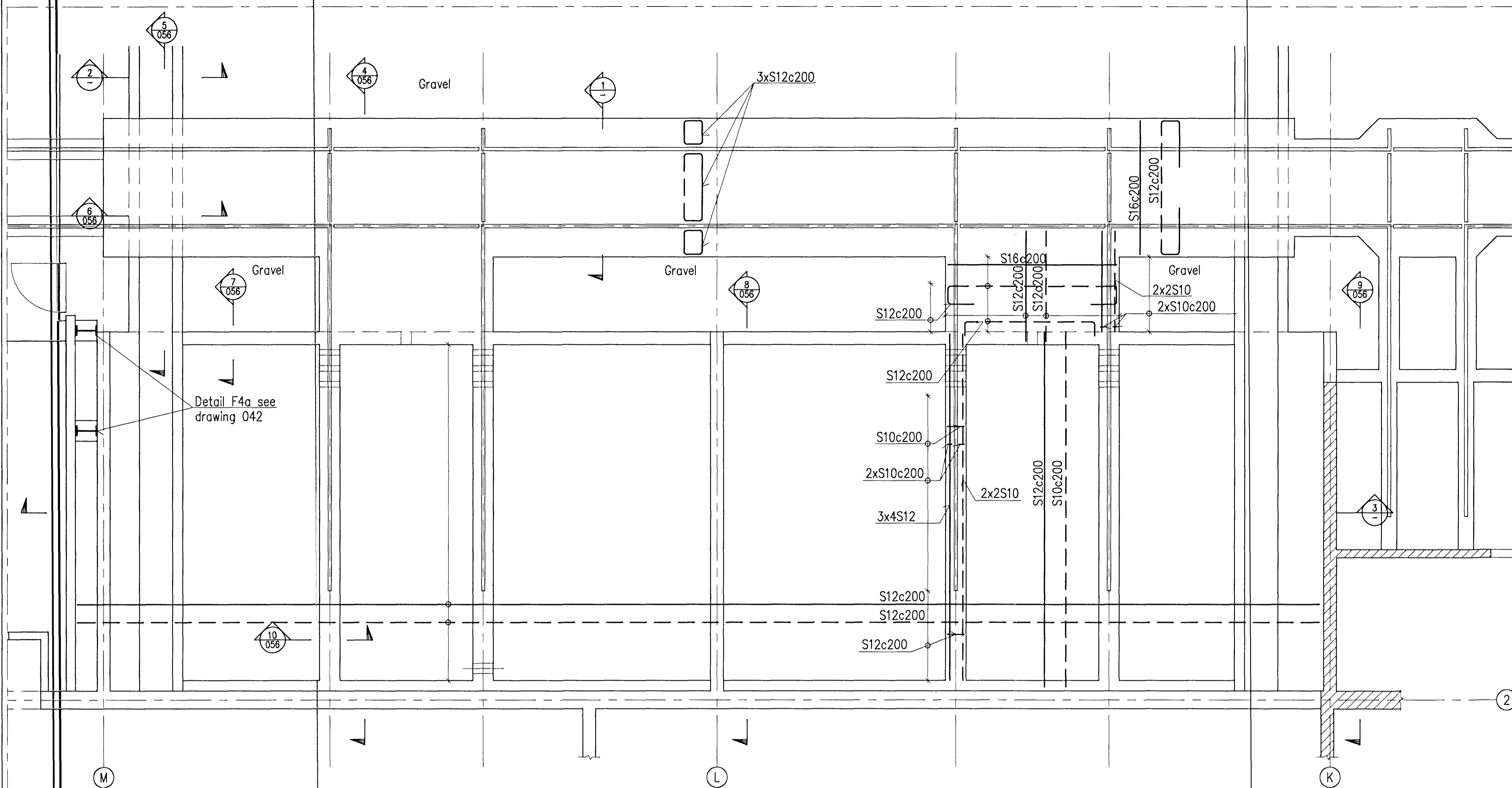
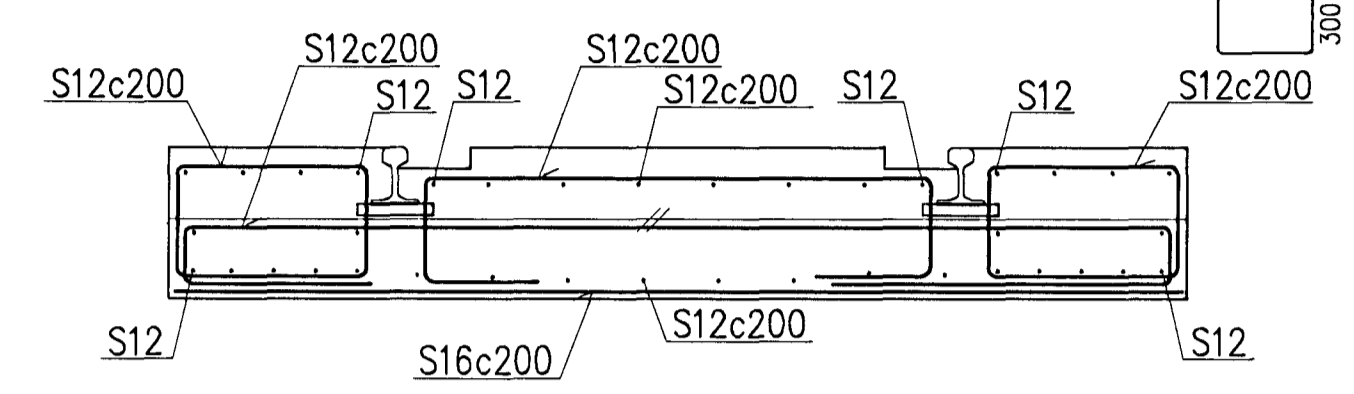


TRANSFORMER BAYS, PLAN VIEW, 1:50

Samþykkt þann  
 01 OCT 2012  
 Byggingafrádráttur / Hafnarfrádráttur  
 F.h. Sigurður Steinarr Jónsson

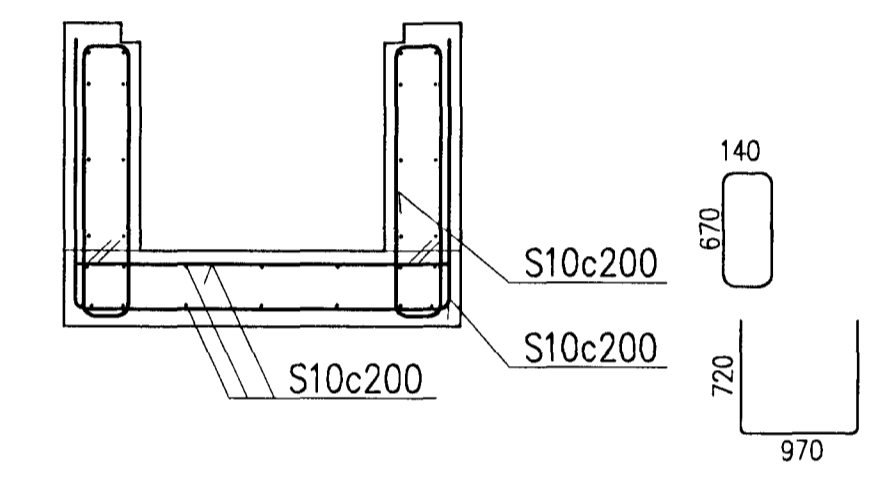


1:20 Niels Indriðason  
 Kt. 181144-3949 NI

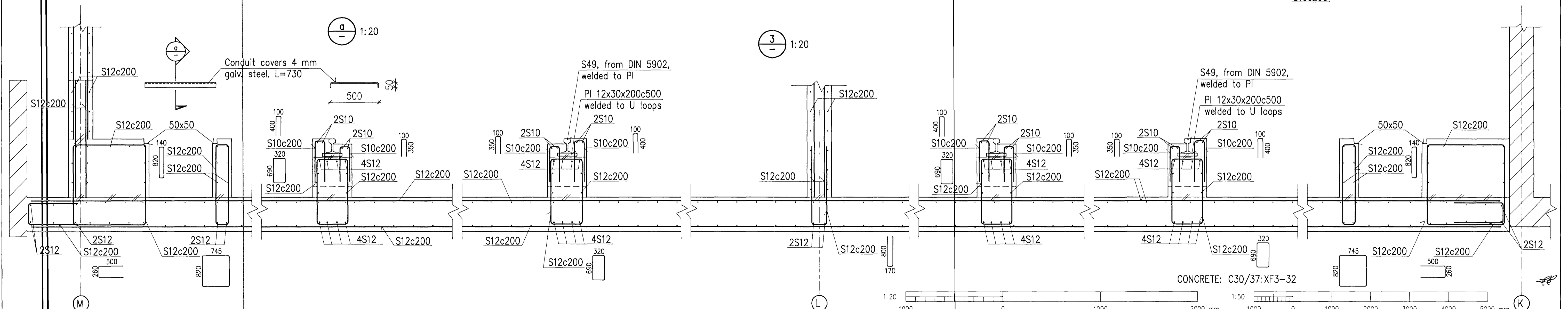
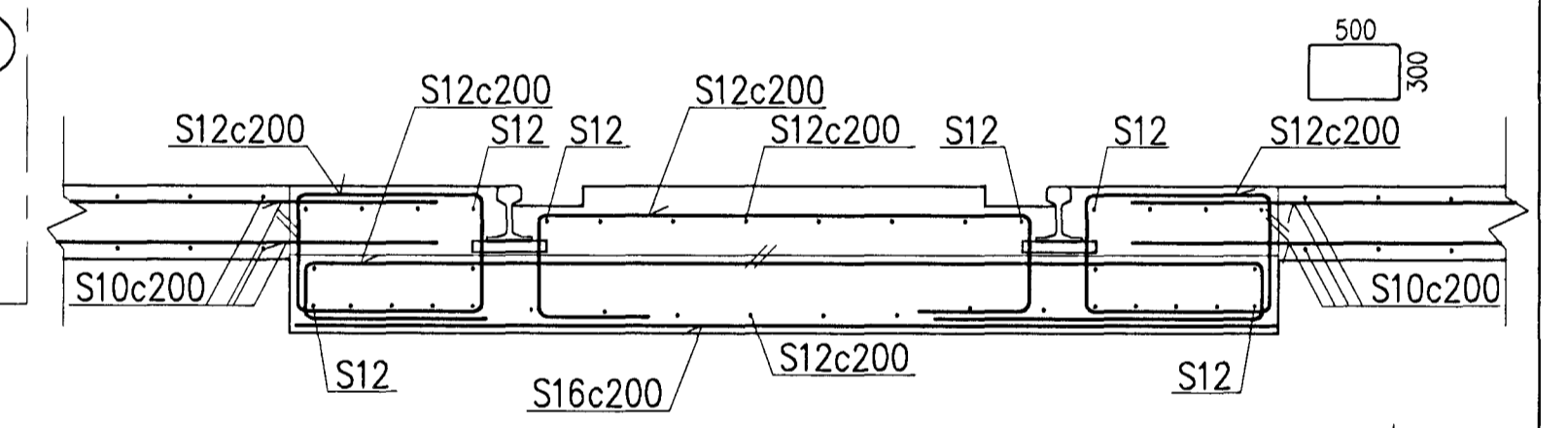


2:20

Lid see section V on drw. 079



11:031 1:20



CONCRETE: C30/37:XF3-32

Skýringar: Legend:	This drawing is the property of Rio Tinto Alcan Iceland Ltd. and handed out for personal use only. It may neither be copied nor made available to others without permission of Rio Tinto Alcan Iceland Ltd. The receiver is liable for any misuse.					Dagsetning / Date: 2008.10.01 Hannað / Designed: HS Tekn. / Drawn: LDB Verktaki / Supplier: HRV		IPU 410 - SUBSTATION 220 kV SWITCHYARD BLD. TRANSFORMER BAYS 1/2 REINFORCEMENT		Flökkur nr.: Blað nr.: Kostnaður - Costo / Bón nr. - Eqno: 4011 01188		
	Standard: A1 Mkv.: 1:20, 1:50 Formát: A1 Scale: 1:20, 1:50 Dimensions without tolerances according to ISO 2768-m1 medium.					Tekn. nr. verktaka / Supplier drawing: IDP-410-CA-015-055 Önnuvaldi / Approved: NI Yfir / Chkd: NI		ISAL Tekn. nr. ISAL / Drw. no. of ISAL: IS-222 Hafnarforður Iceland 251231 A		ISAL Yfirfarið og skrifað, degn / ISAL Checked, date ISAL Samþykkt, degn / ISAL Approval, date		
20	Record Drawing	2012.06.11	HS	NI	HS	NI	HS	NI	Rio Tinto Alcan			