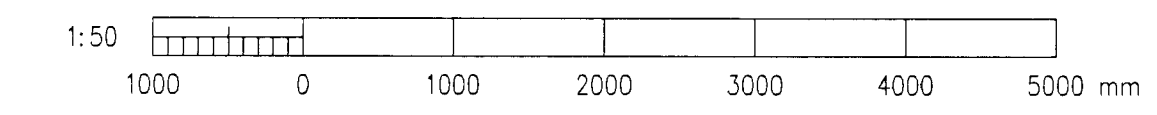
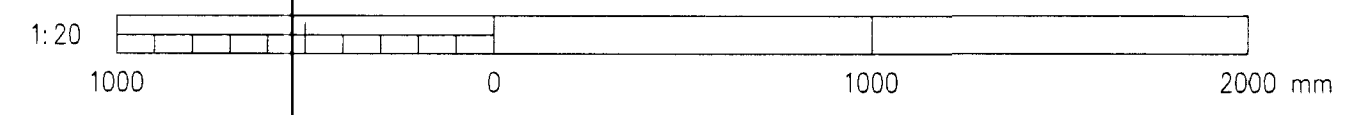
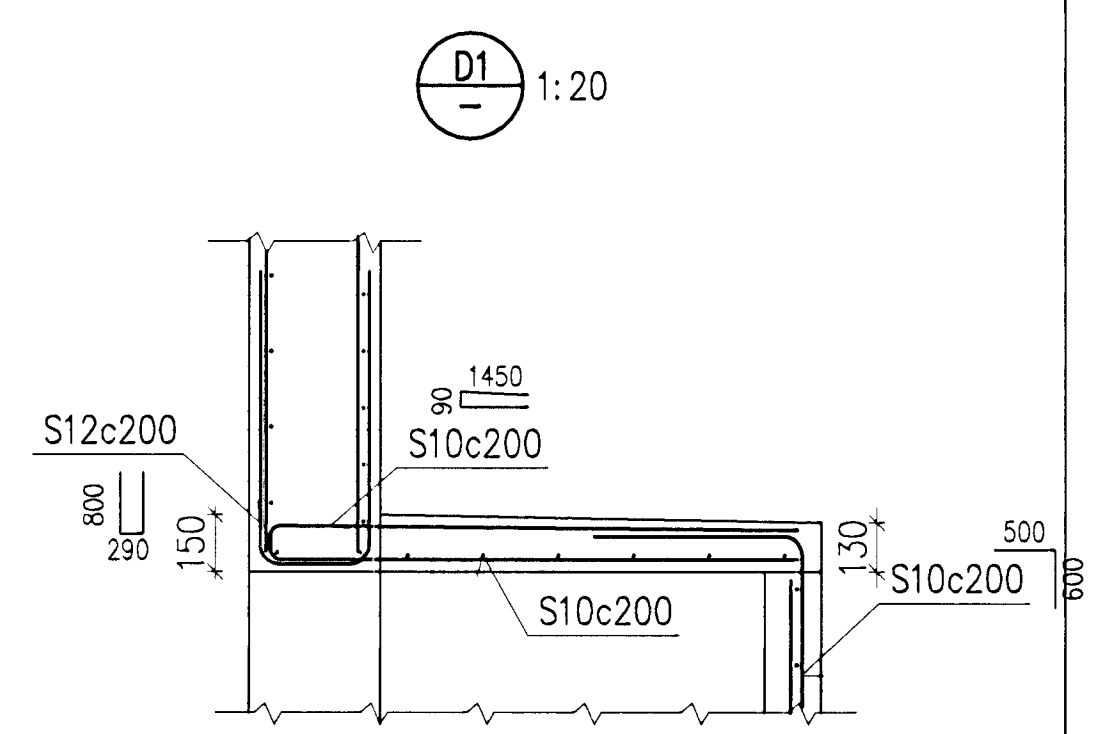
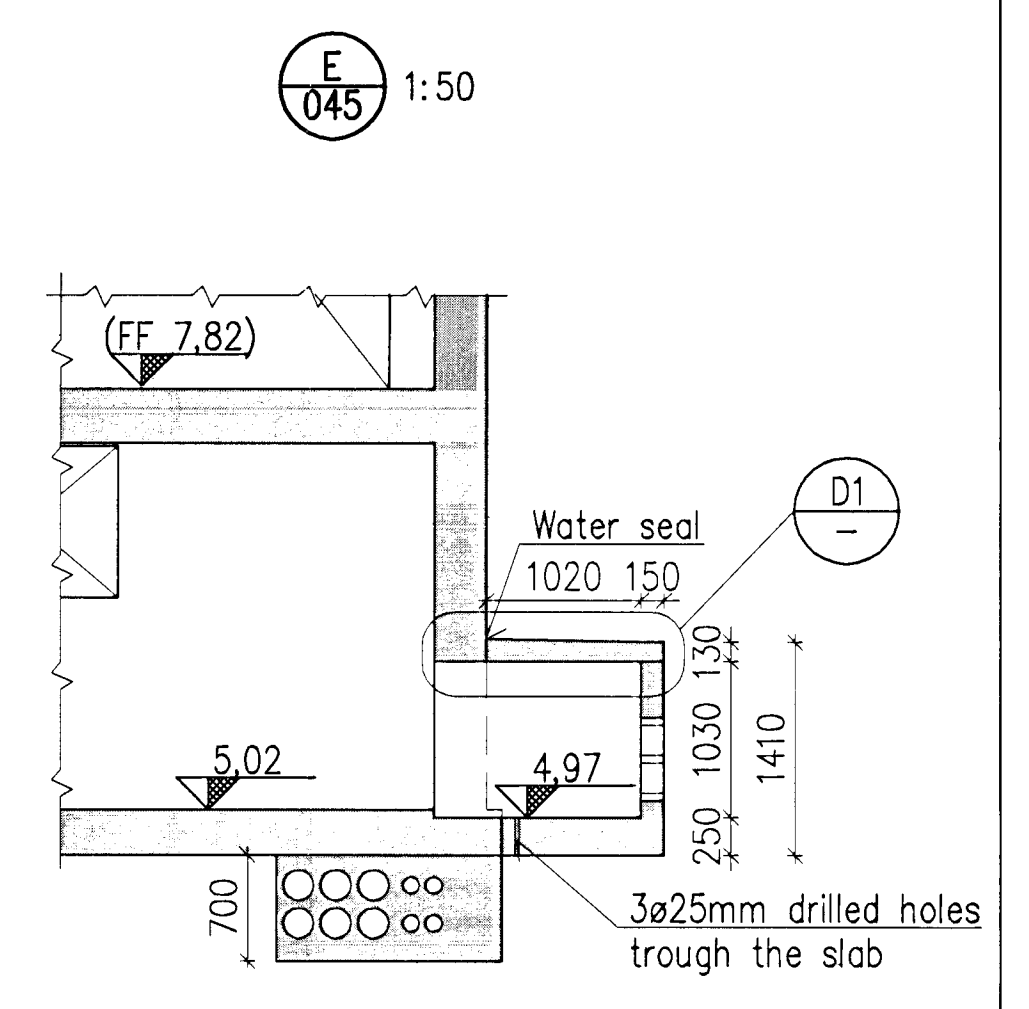
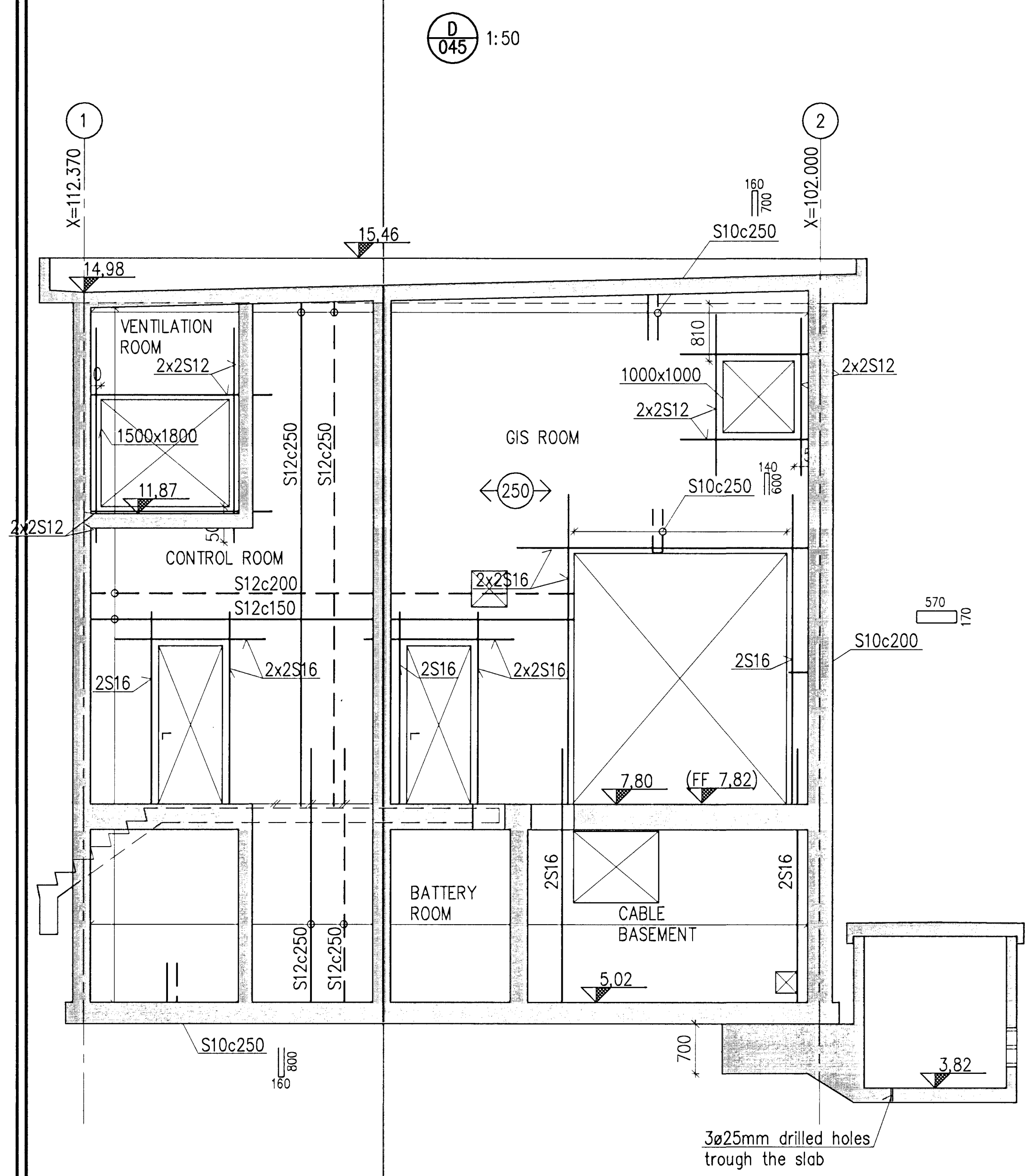


Samþykkt þann
 01 OCT 2012
 Byggingafrútrúnn / Hafnarhöfði
 E.h. Sigurður Steinar Jónsson

Níel Indriðason
 Kt. 181144-3949
 NI



CONCRETE: C30/37:XF3-32

Skýringar
 Legend:

14	Record Drawing	2012.06.11	HS	NI	AKJ	AKJ									
Útg. nr	Rev. no	Lýsing	Description	Dagsetning	Date	Har/Rn	Des/Drw	Yfir	Chk	Notk heim	Notk heim	Suppl	Rel	ISAL	Rel

This drawing is the property of Rio Tinto Alcan Iceland Ltd. and is handed out for personal use only. It may neither be copied nor made available to others without permission of Rio Tinto Alcan Iceland Ltd. The receiver is liable for any misuse.

Stærð: A1 Mkv.: 1:50
 Formát: A1 Scale: 1:50
 Dimensions without tolerances according to ISO 2768-1 medium.



Dagsetning / Date	2008.10.01
Hannað / Designed	HS
Tekn / Drawn	AFV
Verktaki / Supplier	HRV
Tekn.nr./verktaki / Supplier draw.no.	IDP-410-CA-015-053
Sambúið / Approved	NI
Yfir / Chkd	NI
Hluti af: / Part of:	

IPU 410 - SUBSTATION		Flokkur nr.:	Bláð nr.:	Nasta bln. nr.:
60 kV SWITCHGEAR BLD.				
WALLS SIDE VIEW 4/4		Kostn.nr.-Cno. / Bón.nr.-Eq.no	4011 01188	
REINFORCEMENT		AKS	UB01	
Rio Tinto Alcan		ISAL	Teikn.nr. ISAL / Draw.no. of ISAL	
		IS-222 Hafnarhöfður Ísland	251230	A
		ISAL Yfirfarið og síðla dags / ISAL Checked, date	ISAL Samþykkt, dags / ISAL Approval, date	