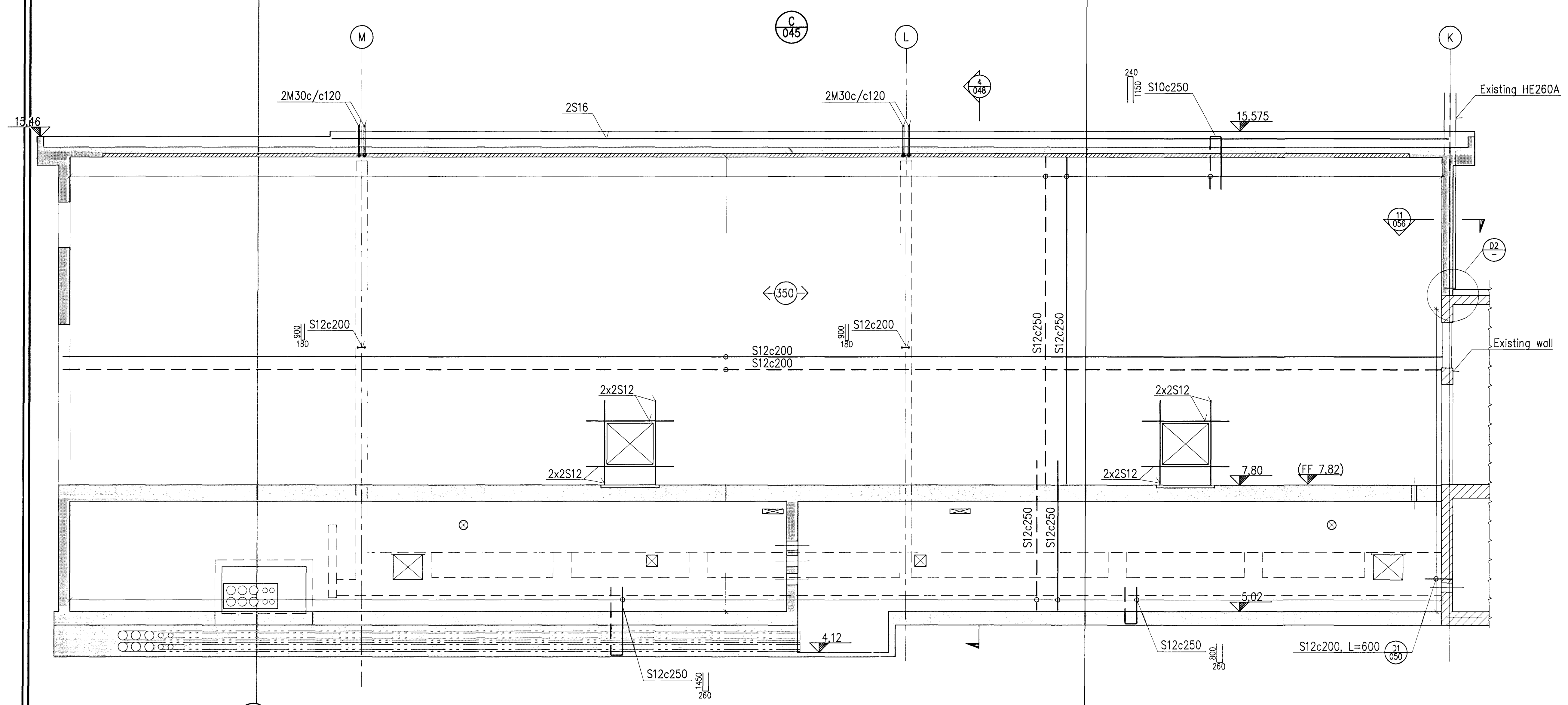
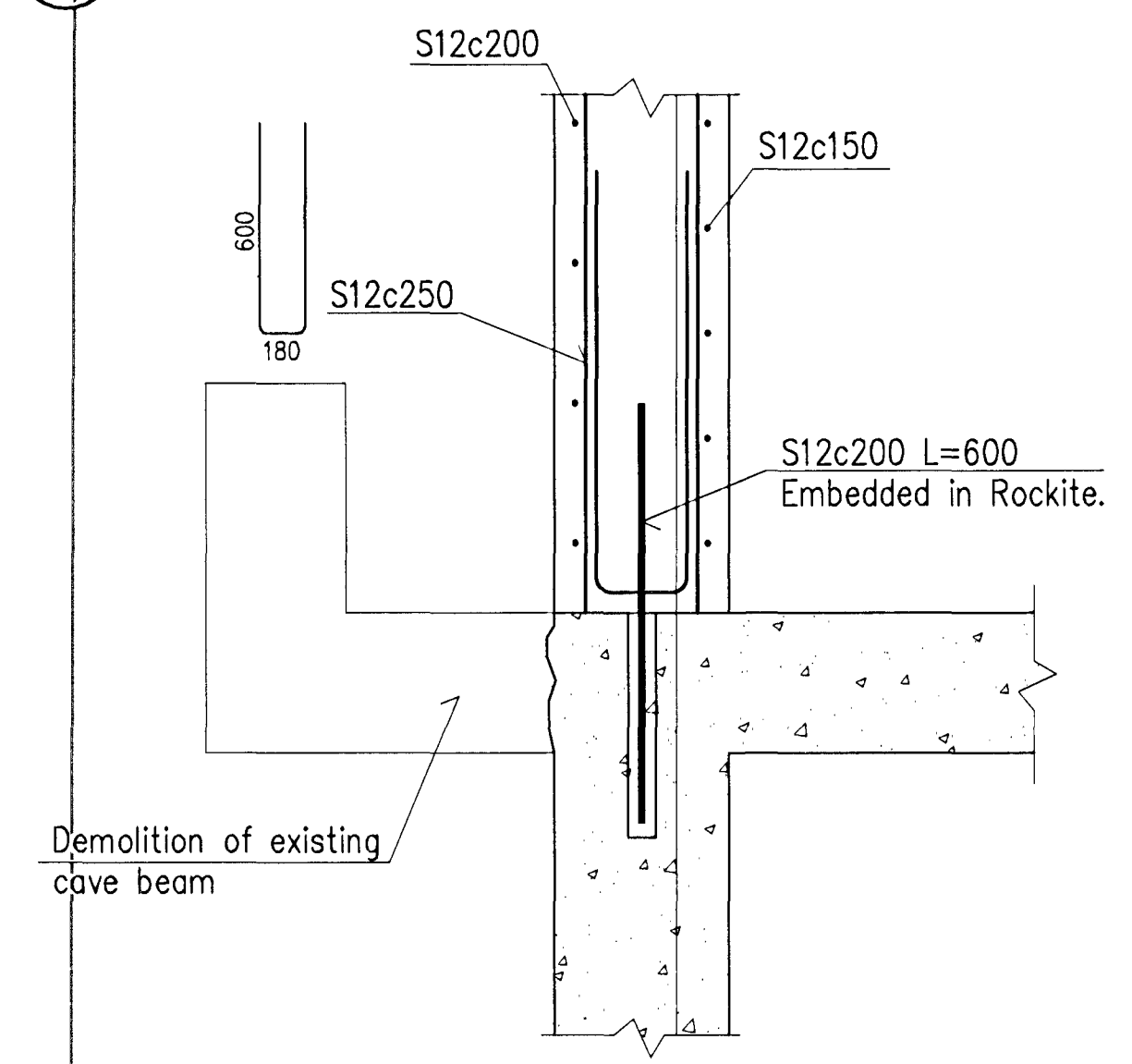


Samþykkt þann.
 01 OCT 2012
 Byggingafráttir / Hafnarfrófi
 F.h. Sigurður Steinar Jónsson

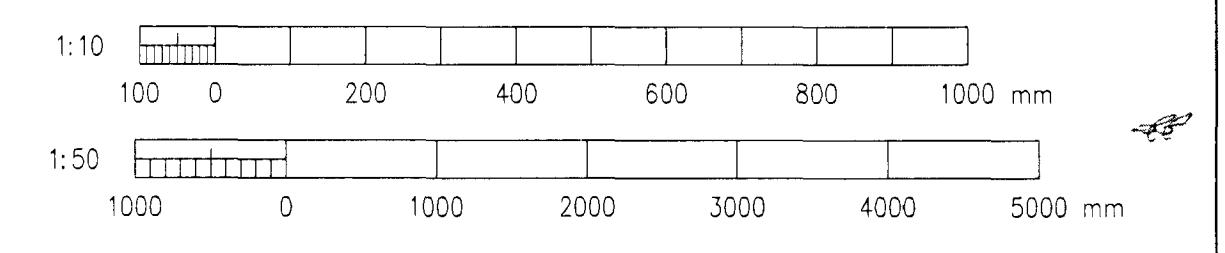
Níels Indriðsson
 Kt. 181144-3949
 NI



D2
 1:10



CONCRETE: C30/37:XF3-32



Skýringar Legenda						This drawing is the property of Rio Tinto Alcan Iceland Ltd and handed out for personal use only. It may neither be copied nor made available to others without permission of Rio Tinto Alcan Iceland Ltd. The receiver is liable for any misuse. Scale: 1:10, 1:50 Dimensions without tolerances according to ISO 2768-1 medium.	Dagaþingning / Date 2008.10.01		IPU 410 - SUBSTATION 60 kV SWITCHGEAR BLD. WALLS SIDE VIEW 3/4		Blöð nr.: 4011	Nasta bl.nr.: 01188
							Ritara / Designed HS	Teikn / Drawn ÁFV	Teg. teikningar / Dwg. type: REINFORCEMENT		Kostn.nr.-Cano. / Búnr.-Eg.no 4011	Breyt./Rev. 01188
						Verktaki / Supplier HRV	Tekn.nr.verktaka / Supplier drw.no. IDP-410-CA-015-052		RioTintoAlcan		ISAL Tekn.nr. ISAL / Drw.no. of ISAL 251229	A
						Formát / Format: A1	Tekn. nr. / Approved NI		ISAL IS-222 Hafnarfrófi Ísland		ISAL ISAL Vírfráð og skráð, dags / ISAL Checked, date ISAL Samþykkt, dags / ISAL Approved, date	
						15 Record Drawing	2012.06.11	HS	NI	rick		
						Dög nr / Rev no	Dagaþingning / Date	Höfundur / Des/Drw	Yfir / Chk	Notk heim / Suppl Rel		