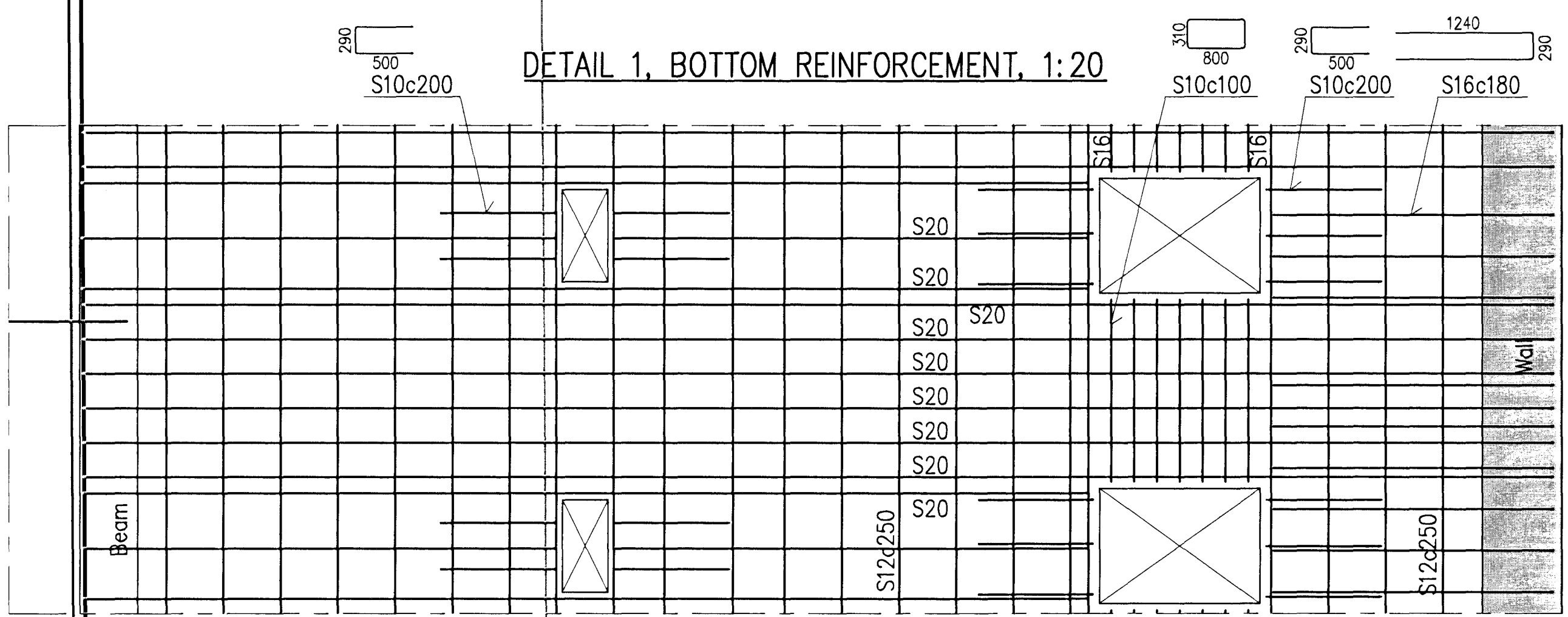
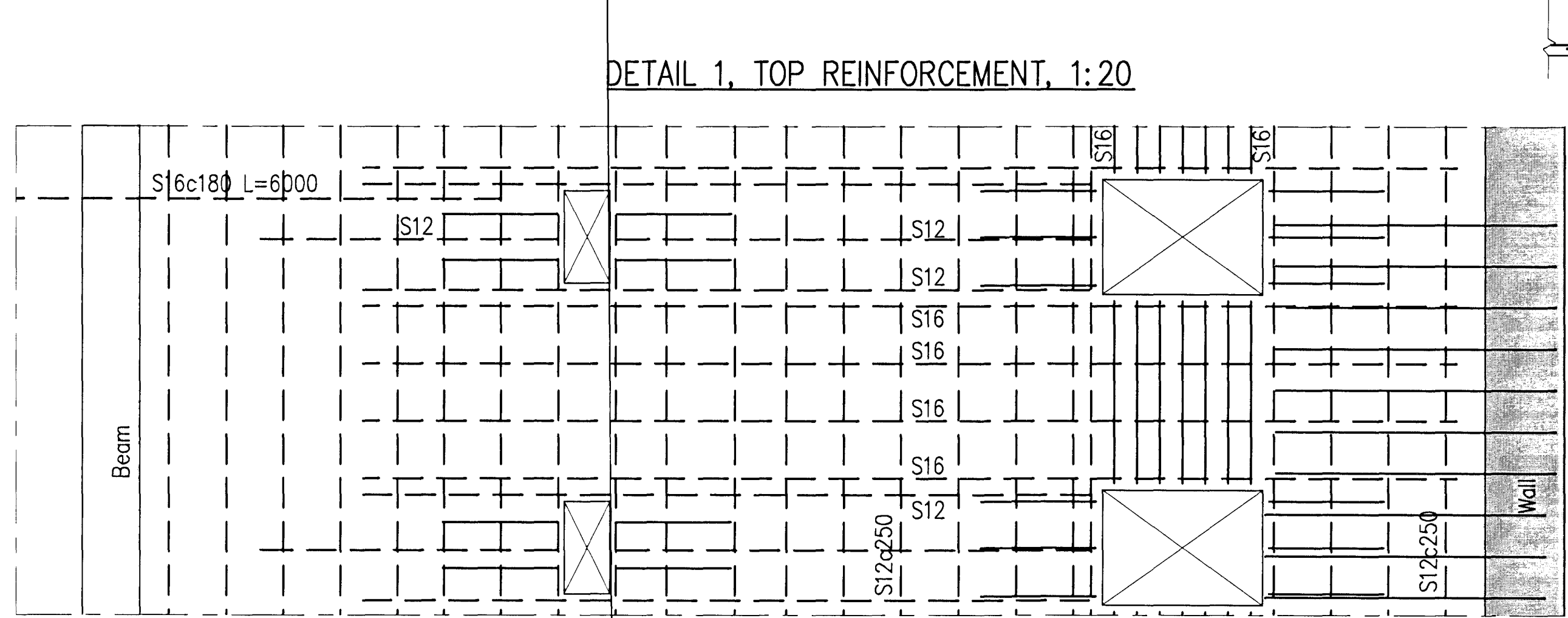


Níels Indriðason  
Kt. 181144-3949

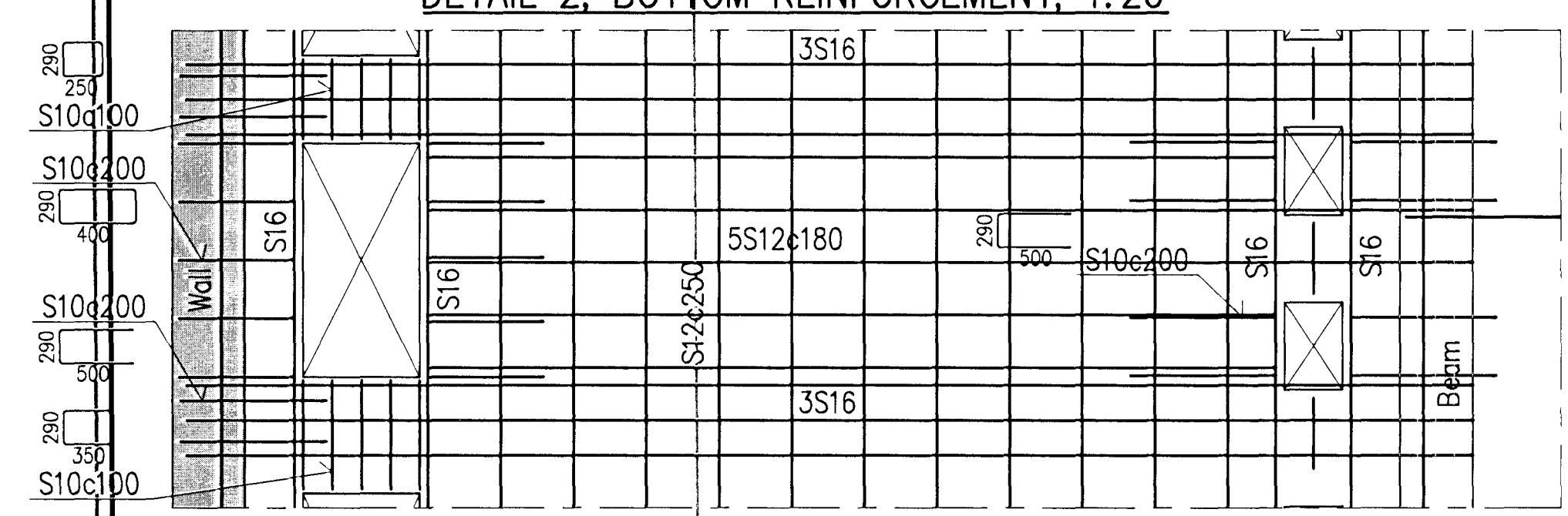
DETAIL 1, BOTTOM REINFORCEMENT, 1:20



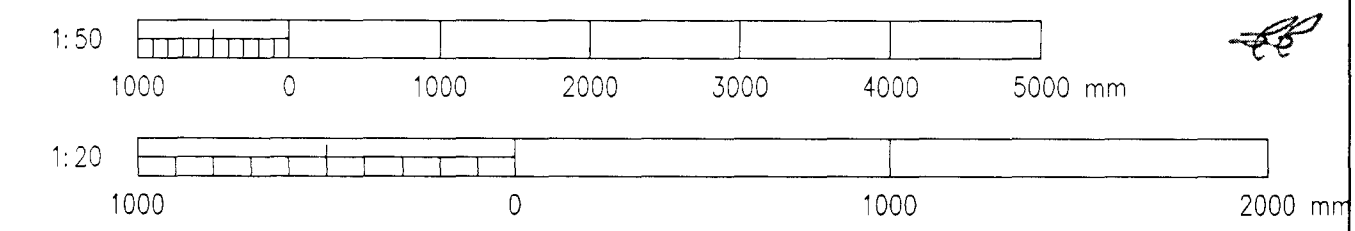
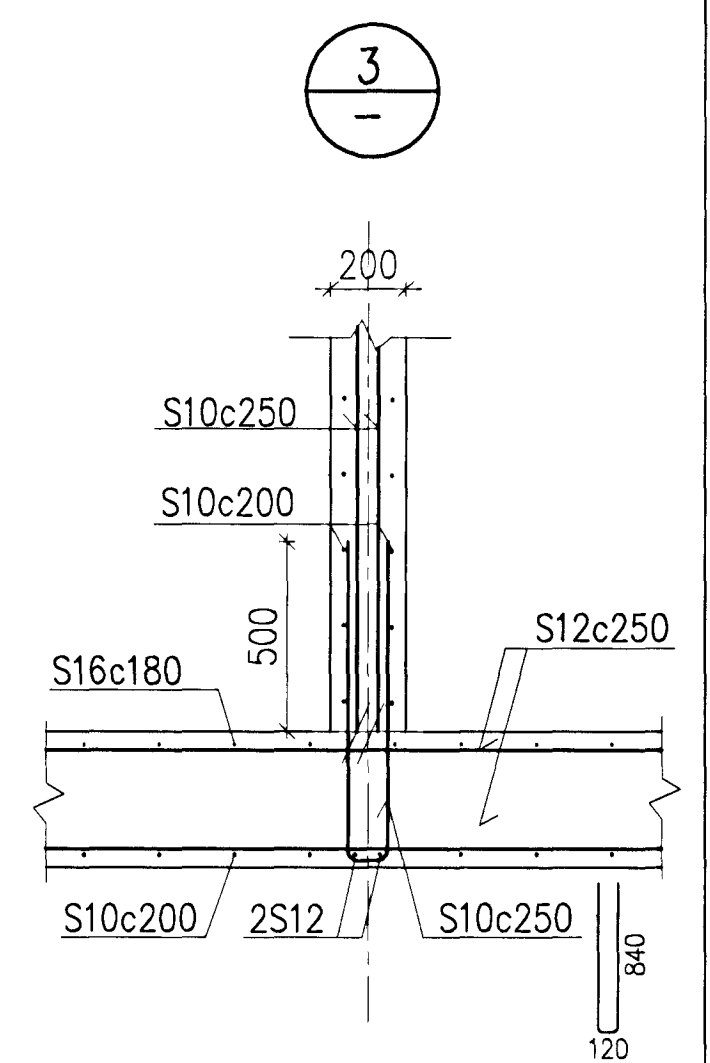
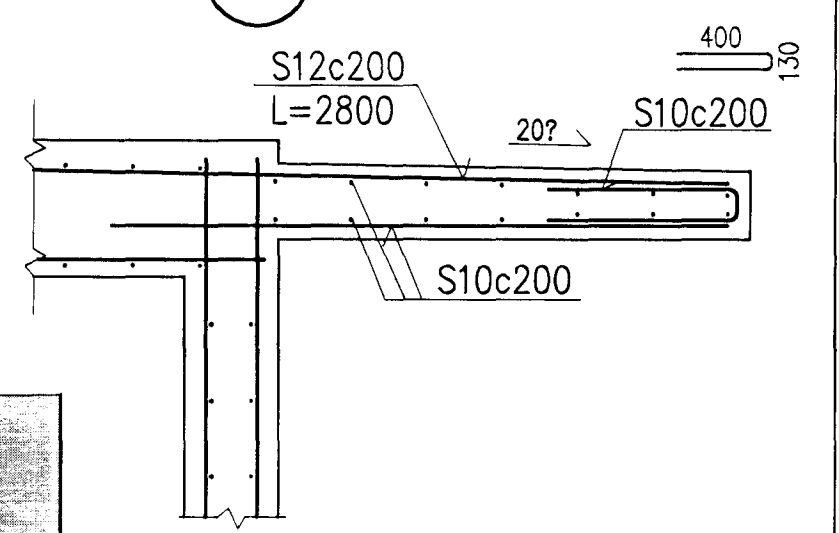
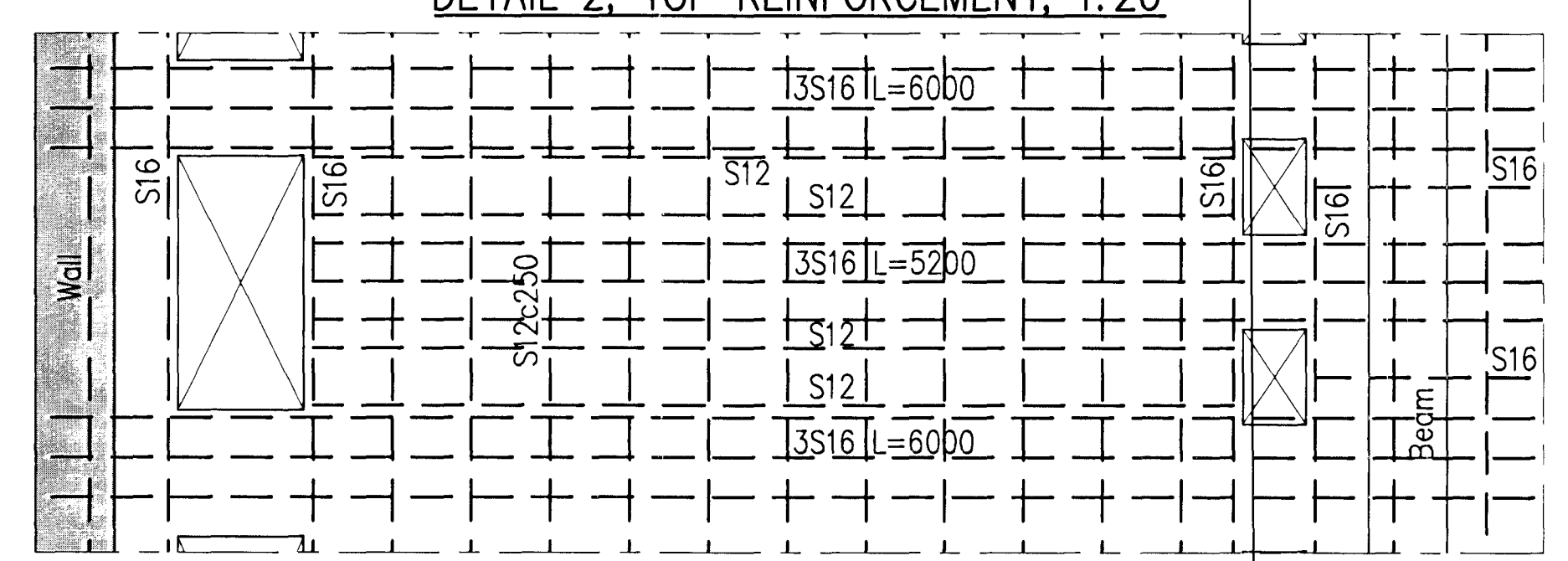
DETAIL 1, TOP REINFORCEMENT, 1:20



DETAIL 2, BOTTOM REINFORCEMENT, 1:20



DETAIL 2, TOP REINFORCEMENT, 1:20



CONCRETE: C30/37;XF3-32

Skýringar: Legend:	16 Record Drawing <small>Útg. nr. / Rev. nr.</small>	2012.06.11 <small>Dagsetning / Date</small>	HS <small>Hann / Design</small>	NI <small>Yfirl. / Drawn</small>	ESK <small>Stjór. / Checked</small>	HVA <small>Stjór. / Approved</small>	This drawing is the property of Rio Tinto Alcan Iceland Ltd. and handed out for personal use only. It may neither be copied nor made available to others without permission of Rio Tinto Alcan Iceland Ltd. The receiver is liable for any misuse. <small>Stærð / Form: A1 Mkv. / Scale: 1:20, 1:50 Dimensions without tolerances according to ISO 2768-1 medium.</small>		Dagssetning / Date: 2008.10.01 Hannað / Designed: HS Tækn. / Drawn: ÁFV Verktaki / Supplier: HRV Tækn. nr. / Verktaka / Supplier drw. no.: IDP-410-CA-015-046 Samþykkt / Approved: NI Húti af: / Part of:	IPU 410 - SUBSTATION 60 kV SWITCHGEAR BLD. FLOOR 7,74 Teg. teikningar / Dwg. type: REINFORCEMENT	Flökk nr.: 4011 Blað nr.: 01188 Nasta bl. nr.: Kostn. nr. - Útga. / Bðnr. - Eqno.: AKS UB01 <b>RioTinto Alcan</b> <small>Alcan Iceland Ltd. / Stærðfræðingur IS-222 Hafnarfordur Ísland</small>	Tækn. nr. ISAL / Drw. no. of ISAL: 251223 Breyt. / Rev.: A