

Samþykkt þann  
 01 OCT 2012  
 Byggingafulltrúinn í Hafnarfróð  
 F.h. Sigurður Steinar Jónsson

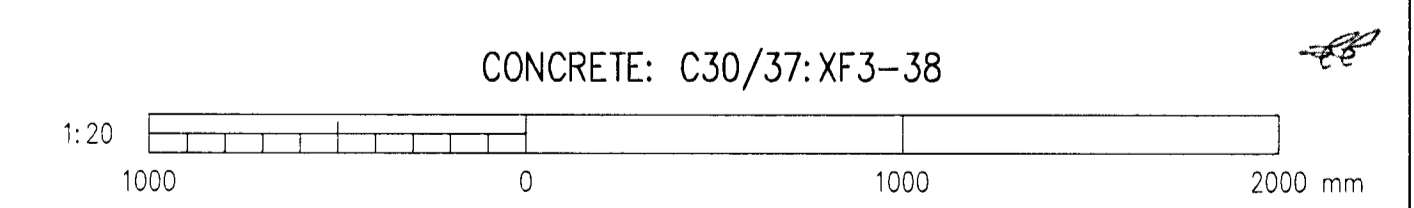
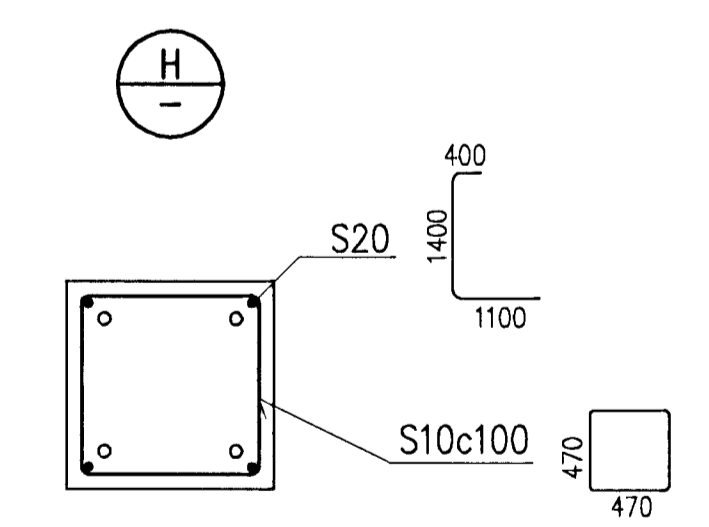
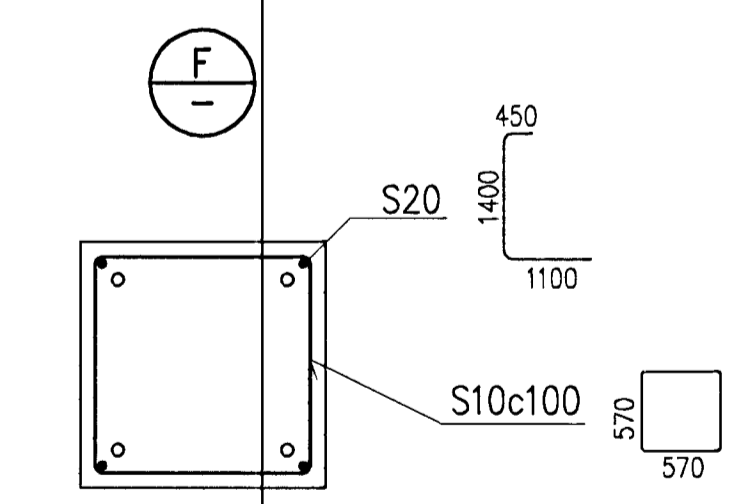
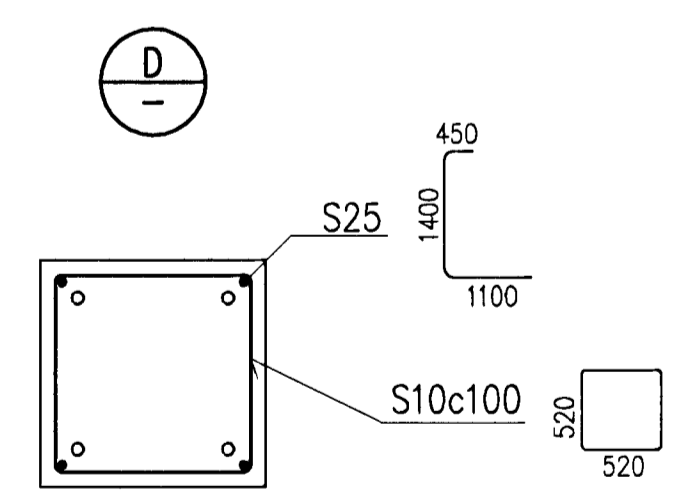
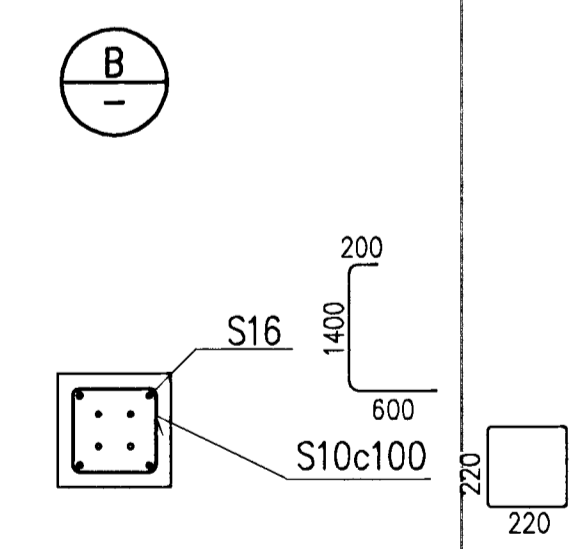
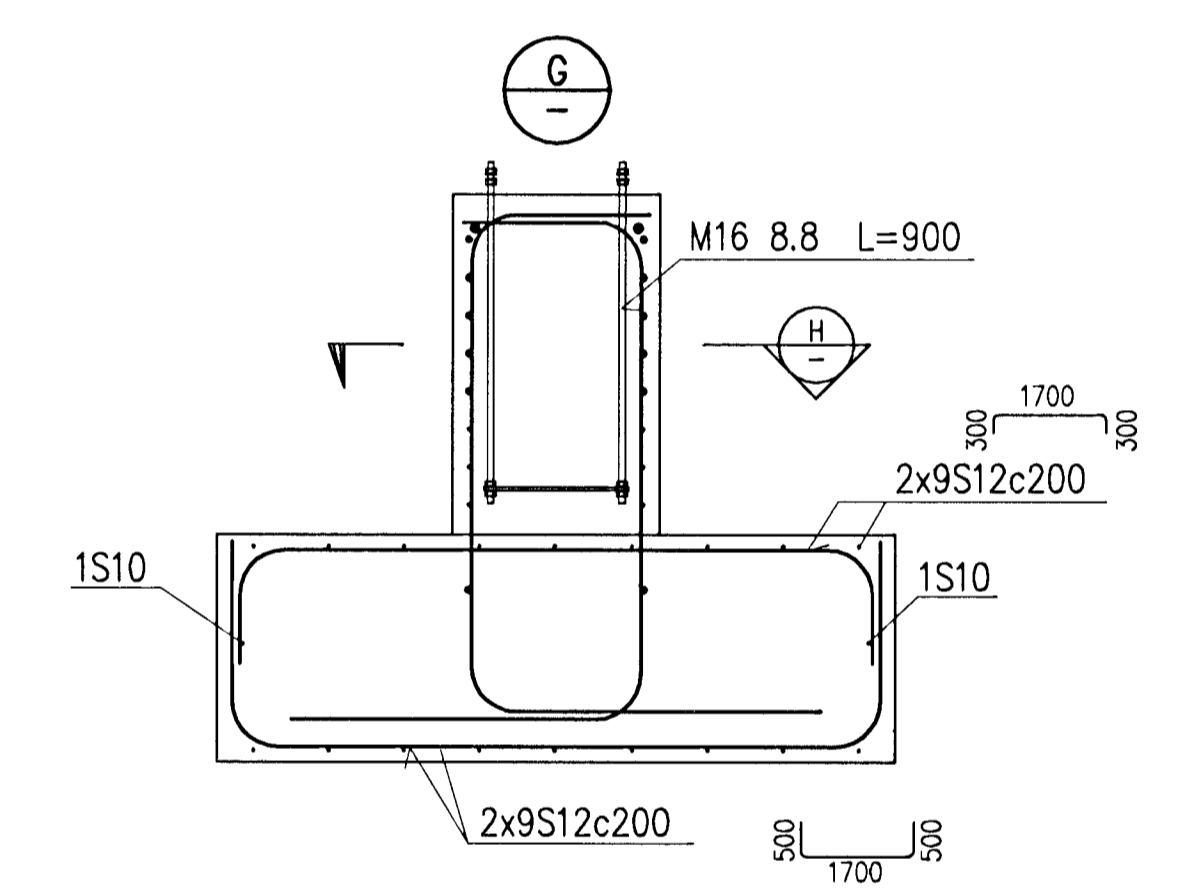
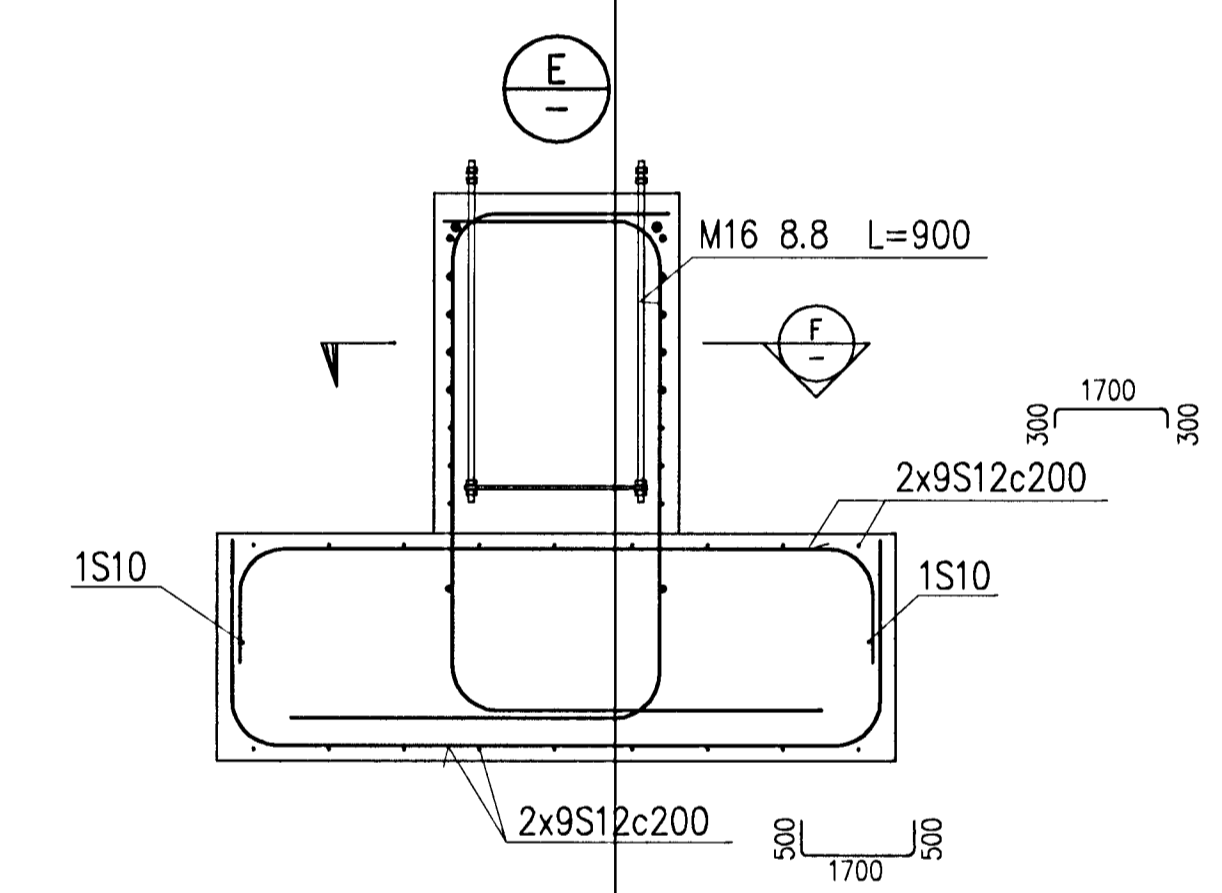
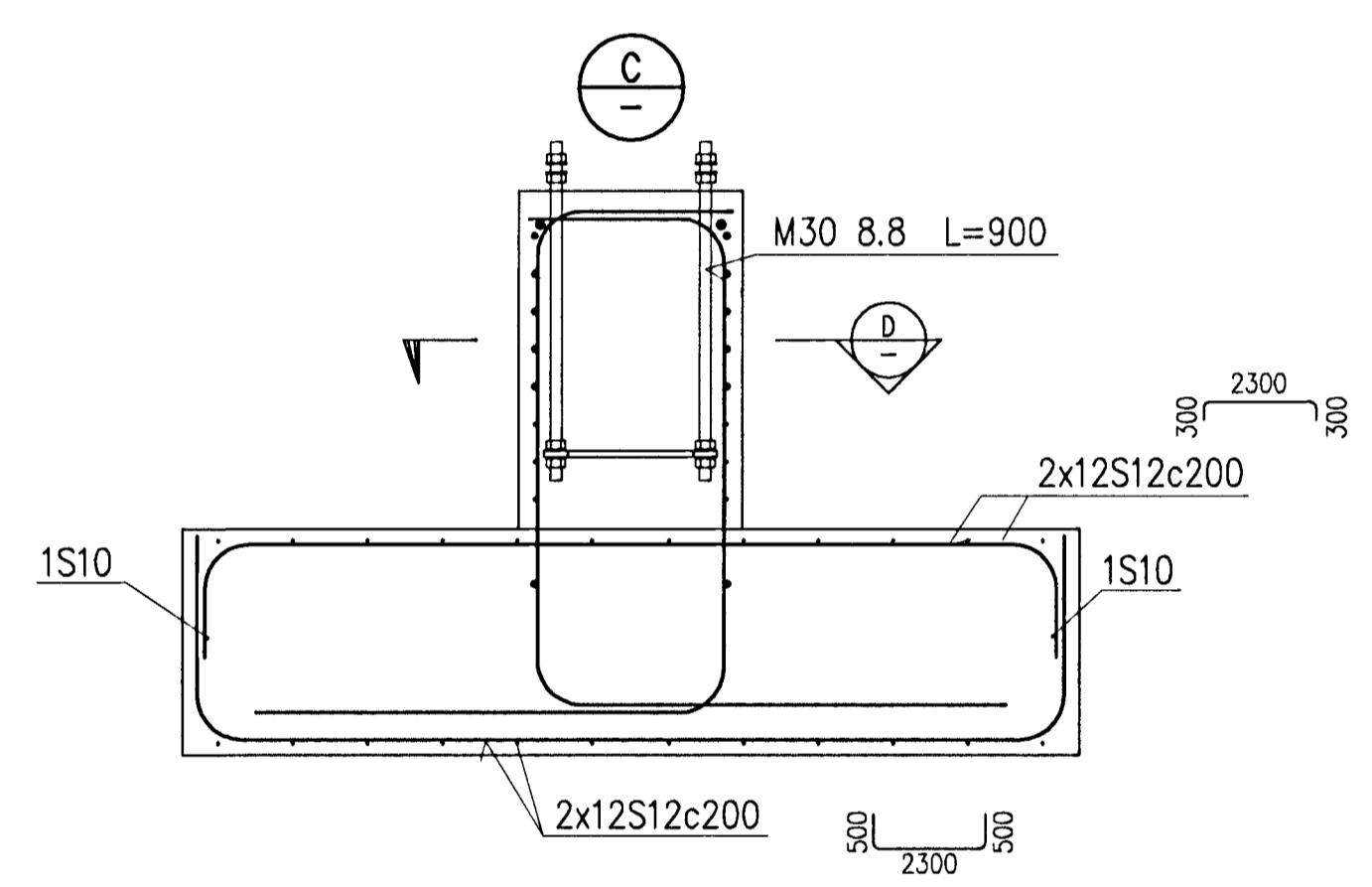
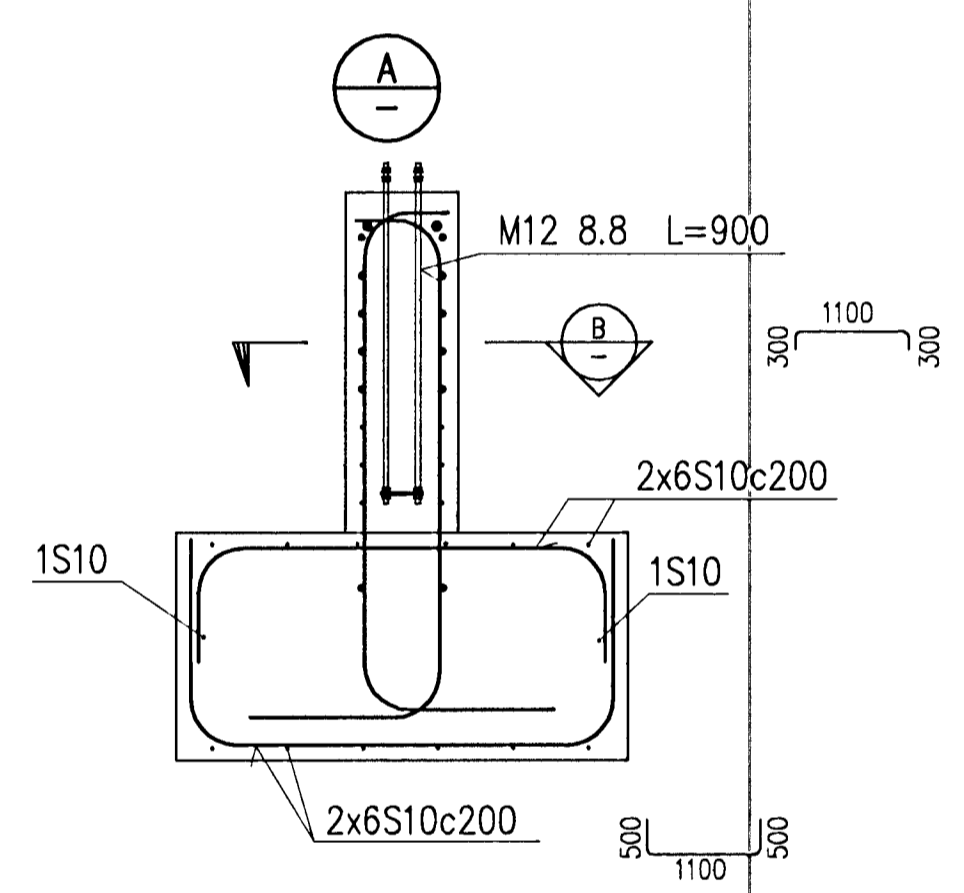
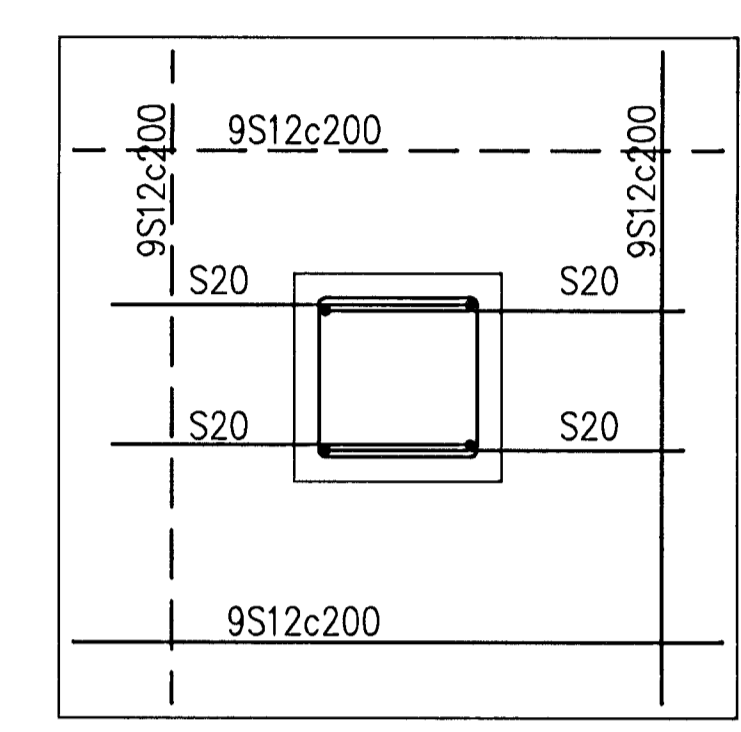
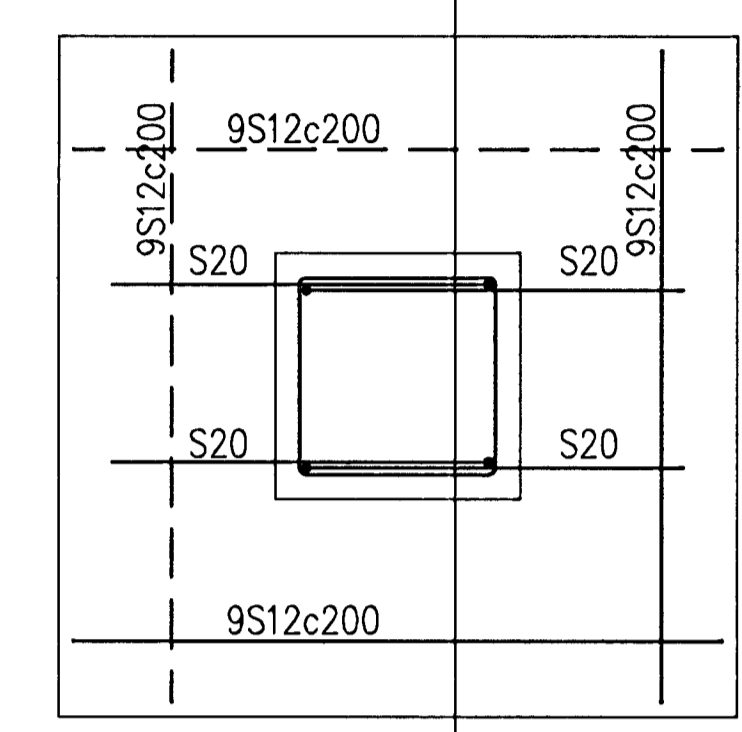
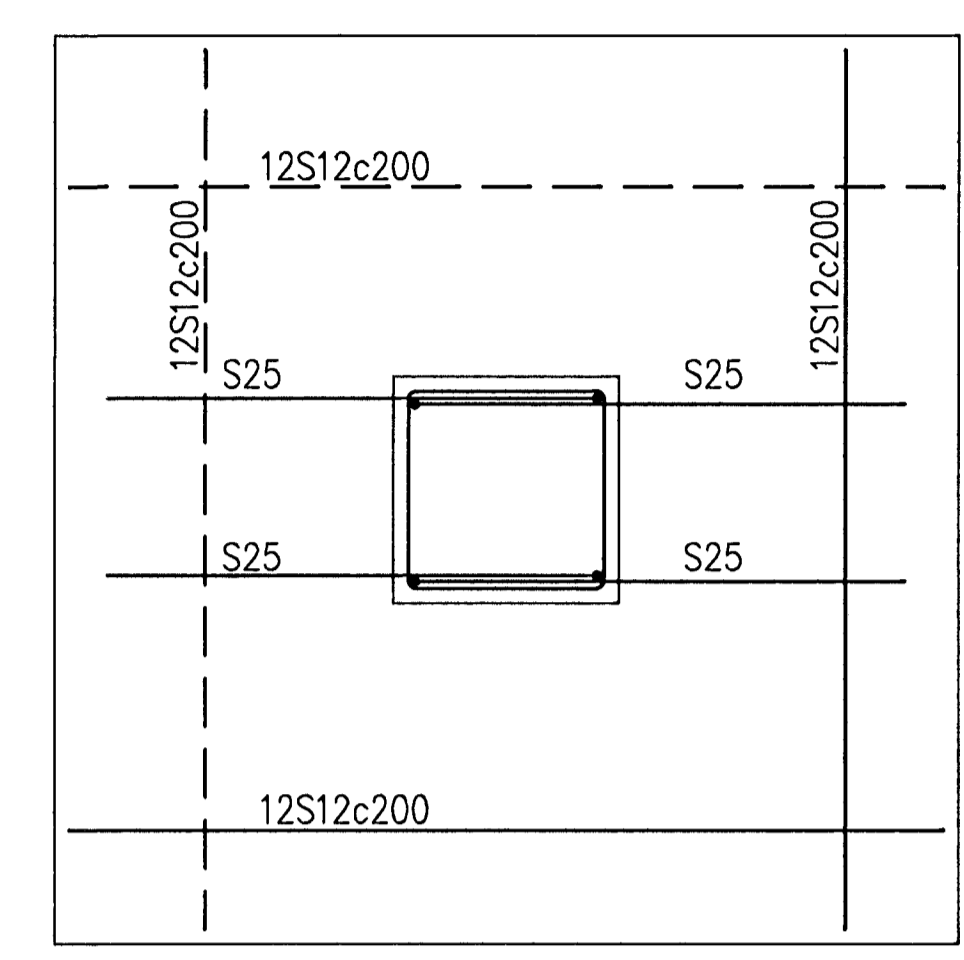
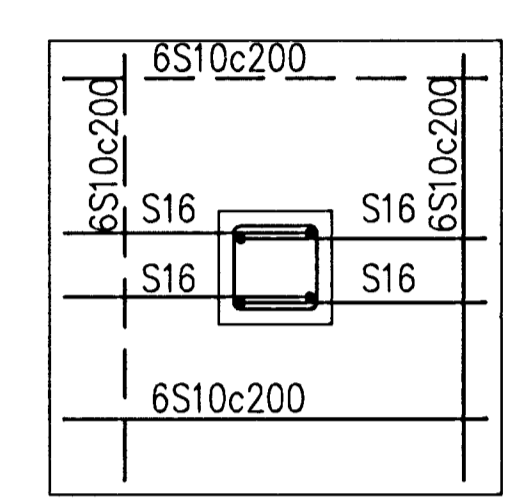
Níli Indriðason  
 Kt. 181144-3919  
 NI

SA  
 031

CB  
 031

CT  
 031

DS  
 031



Skýringar / Legend:

13	Record Drawing	2012.06.11	HS	NI	KS	KS
Glg nr	Rev no	Lýsing / Description	Dagsetning / Date	Har/Tin / Des/Drw	Yfir / Ckd	Notk heim / Suppl / ISAL Ref

This drawing is the property of Rio Tinto Alcan Iceland Ltd and is handed out for personal use only. It may neither be copied nor made available to others without permission of Rio Tinto Alcan Iceland Ltd. The receiver is liable for any misuse.

Scale: A1. Mkv: 1:20. Dimensions without tolerances according to ISO 2768-1 medium.

HRV HATCH  
 JOINT VENTURE  
 ISAL PRODUCTION UPGRADE

Dagsetning / Date	2008.10.01
Handað / Designed	HS
Tekn / Drawn	LDB
Verktaki / Supplier	HRV
Tekn.nr.verktaka / Supplier drw.no	IDP-410-CA-015-044
Samþykkt / Approved	NI
Yfir / Chkd	NI
Hluti af / Part of:	

IPU 410 - SUBSTATION 220 kV SWITCHYARD BLD FOUNDATION 4/4			Flokkur nr.:	Blöð nr.:	Nasta bl.nr.:
			Kostn.nr.-Gagn. / BGN.nr.-Eq.no	4011	01188
Teg. teikningar / Dwg. type: REINFORCEMENT			AKS	UB01	
RioTintoAlcan			Tekn.nr. ISAL / Drw.no. of ISAL	251221	Breyt./Rev. A
			ISAL Yfirráð og skráð, dags / ISAL Checked, date	ISAL Samþykkt, dags / ISAL Approved, date	