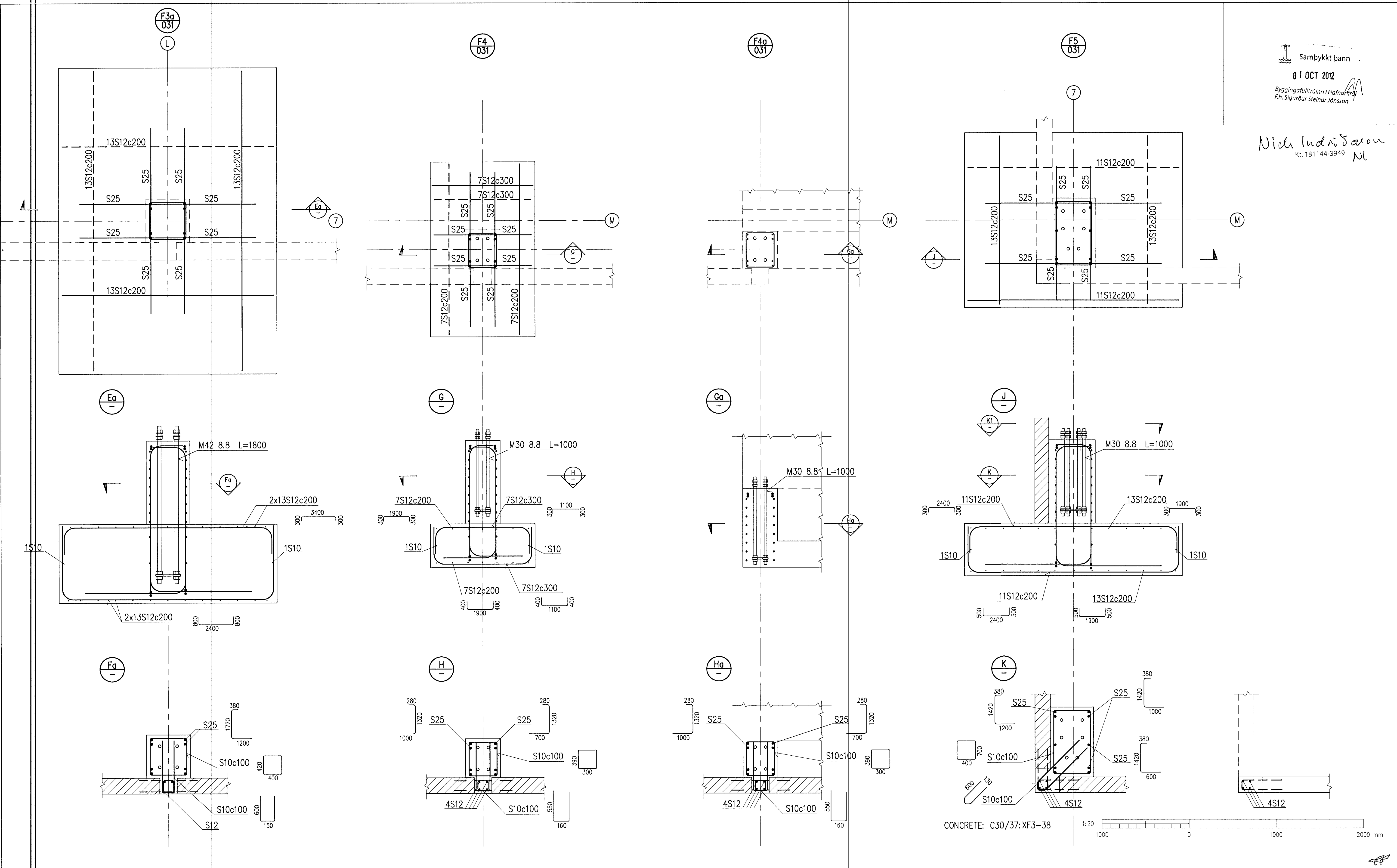


Samykktt þann
 01 OCT 2012
 Byggingafulltrúinn / Hafnarfrá
 F.h. Sigurður Steinar Jónsson

Níels Indriðason
 Kt. 181144-3949
 NI



Skýringar Legend

Ólg nr / Rev no	Lýsing / Description	Dagsetning / Date	Hönn / Tm / Des / Drw	Ysfr / Dtd	Notk heim / Suppl Ref	Notk heim / ISAL Ref
13	Record Drawing	2012.06.11	HS	NI	SK	REDA

This drawing is the property of Rio Tinto Alcan Iceland Ltd. and handed out for personal use only. It may neither be copied nor made available to others without permission of Rio Tinto Alcan Iceland Ltd. The receiver is liable for any misuse.	
Scale: 1:20	Dimensions without tolerances according to ISO 2768-1 medium.

Dagsetning / Date: 2008.10.01	Hönnað / Designed: HS	Teikn / Drawn: LDB
Verktaki / Supplier: HRV	Teikn.nr.verktaka / Supplier drw.no: IDP-410-CA-015-042	Samþykkt / Approved: NI
Yfirlit / Checked: NI	HLUTI af: / Part of:	

IPU 410 - SUBSTATION 220 kV SWITCHYARD BLD FOUNDATION 2/4		Flokkur nr.: 4011	Blað nr.: 01188	Nasta bl.nr.:
REINFORCEMENT		Kostn.nr.-Cano. / Bón.nr.-Eq.no: 4011 01188		
RioTinto Alcan		ISAL Teikn.nr. ISAL / Drw.no. of ISAL: 251219	Breyt./Rev: A	
ISAL Yfirfarð og skröð, dags / ISAL Checked, date		ISAL Samþykkt, dags / ISAL Approval, date		