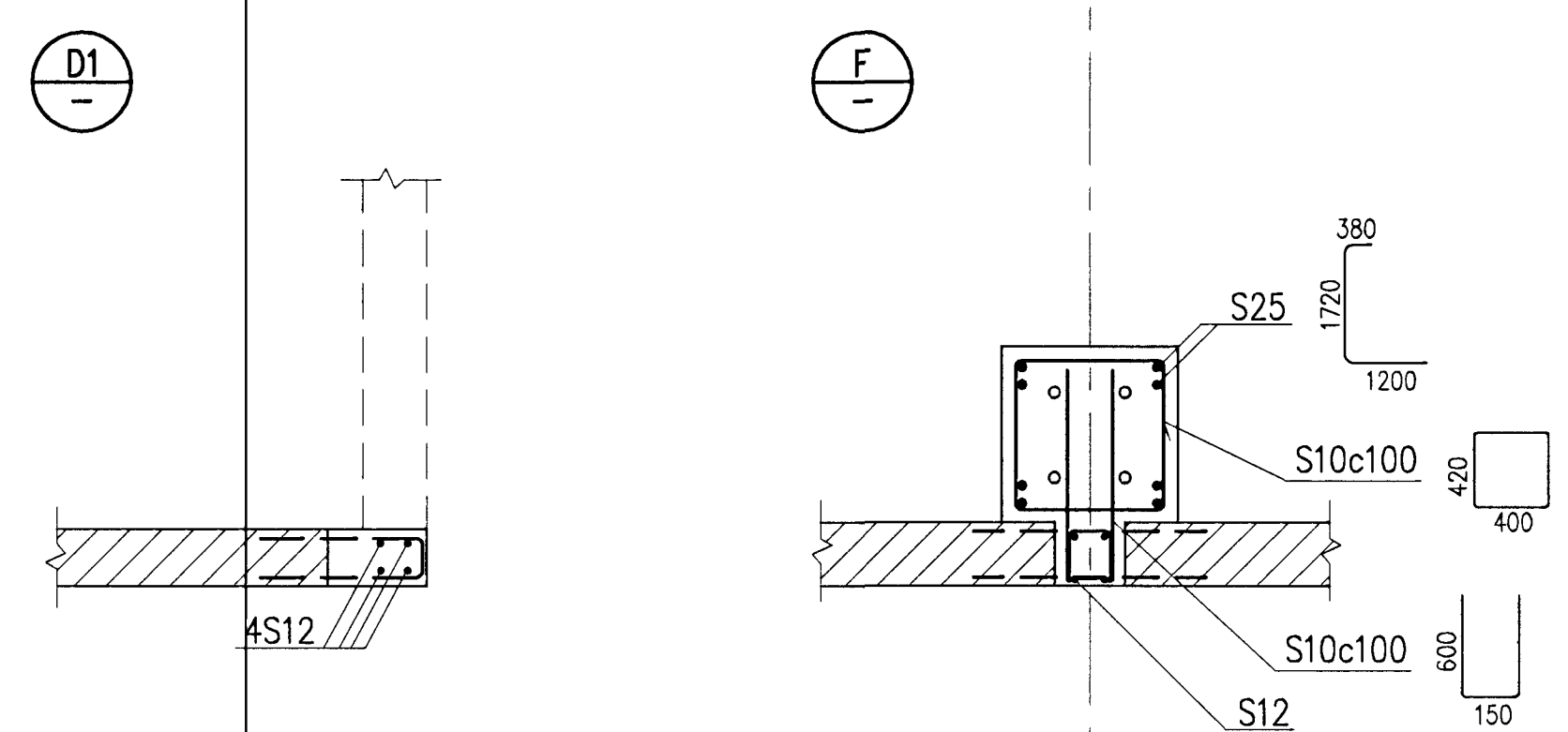
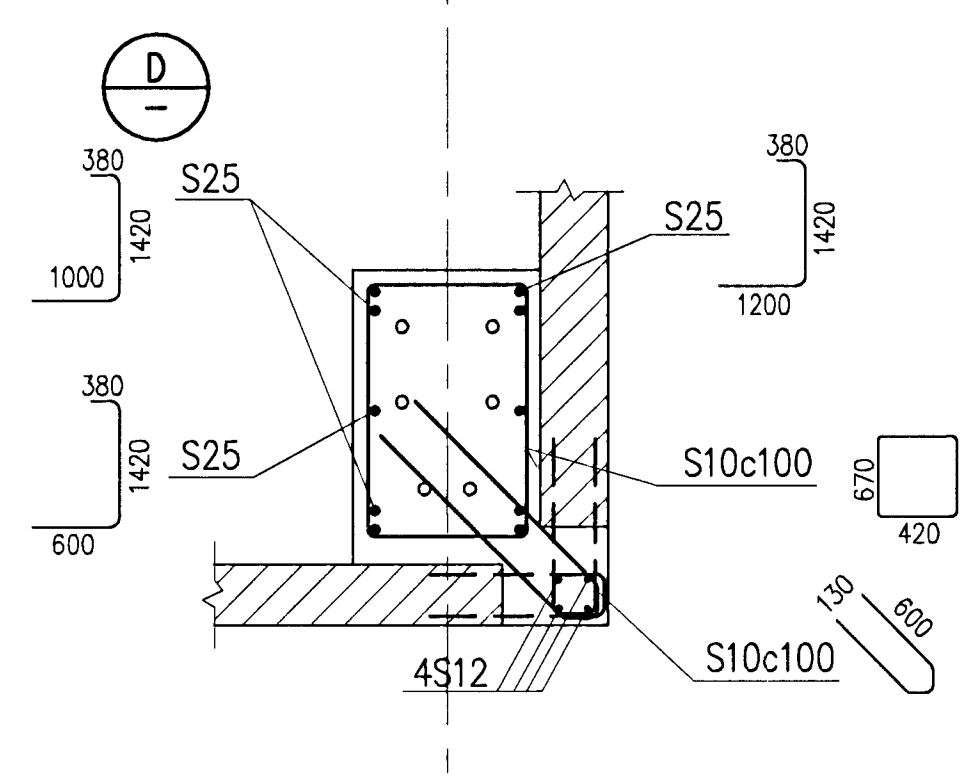
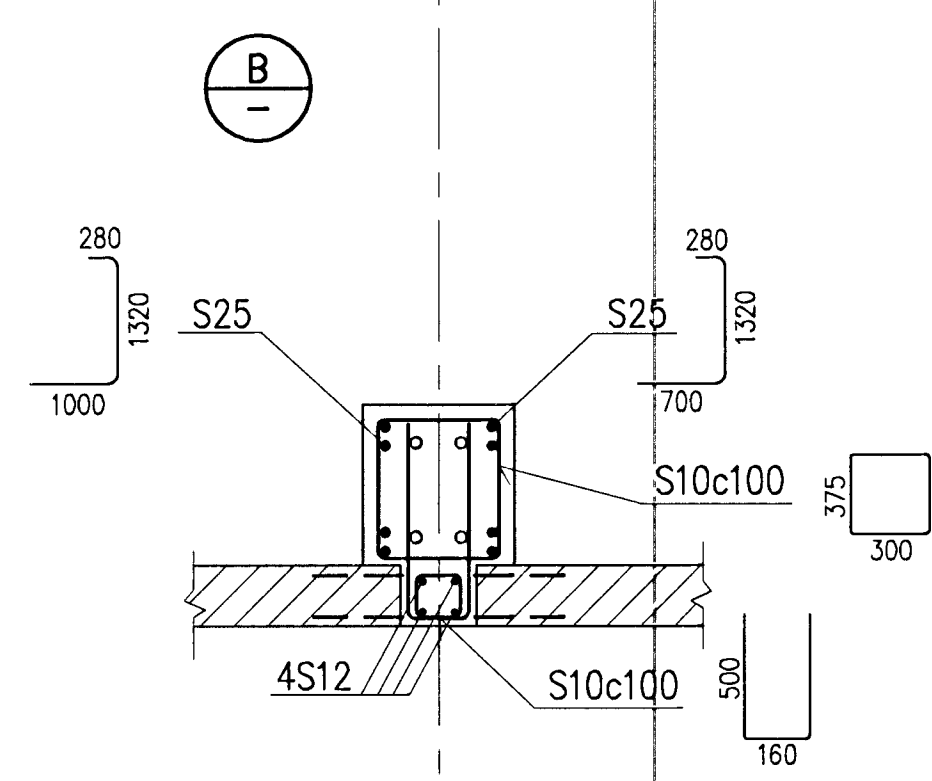
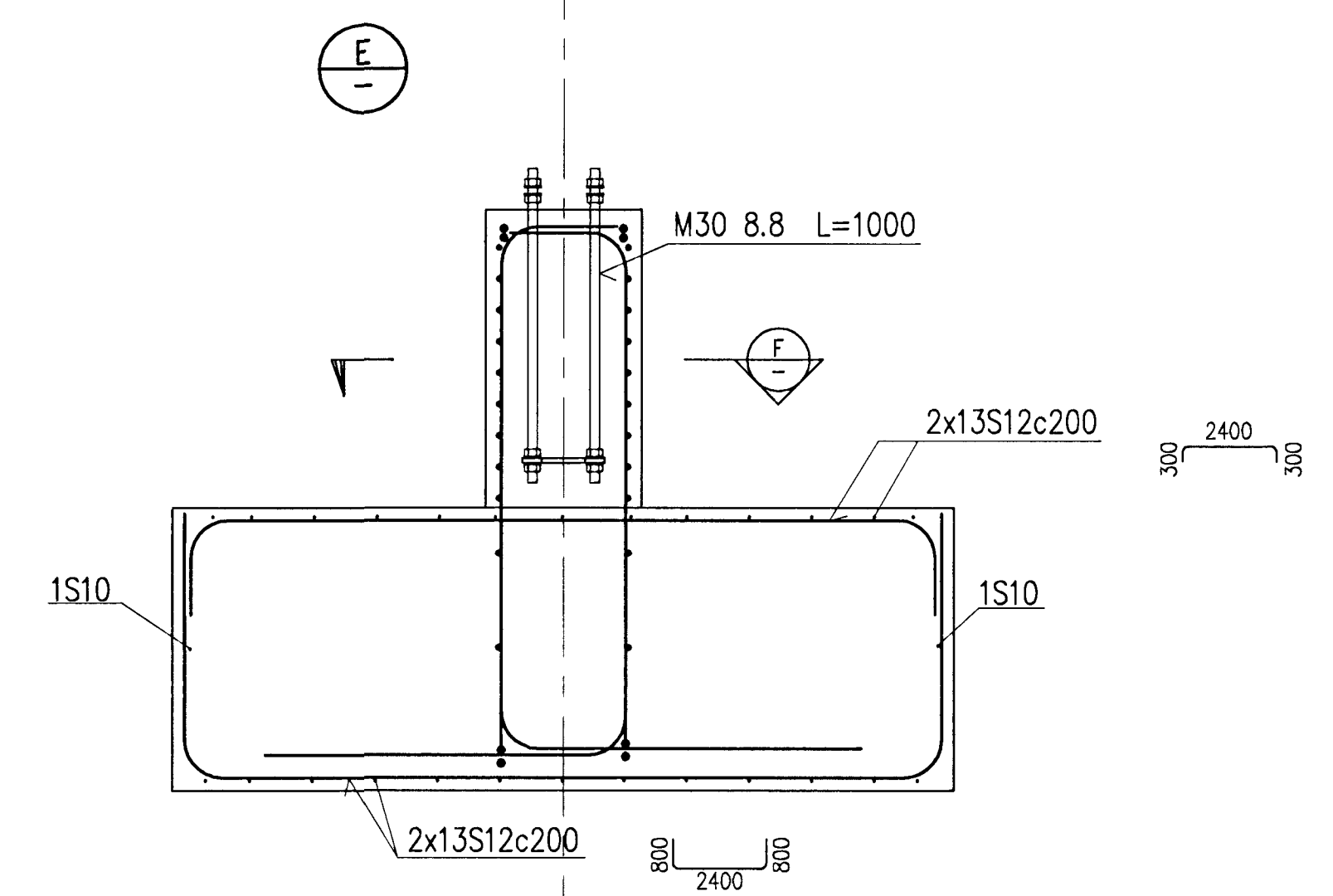
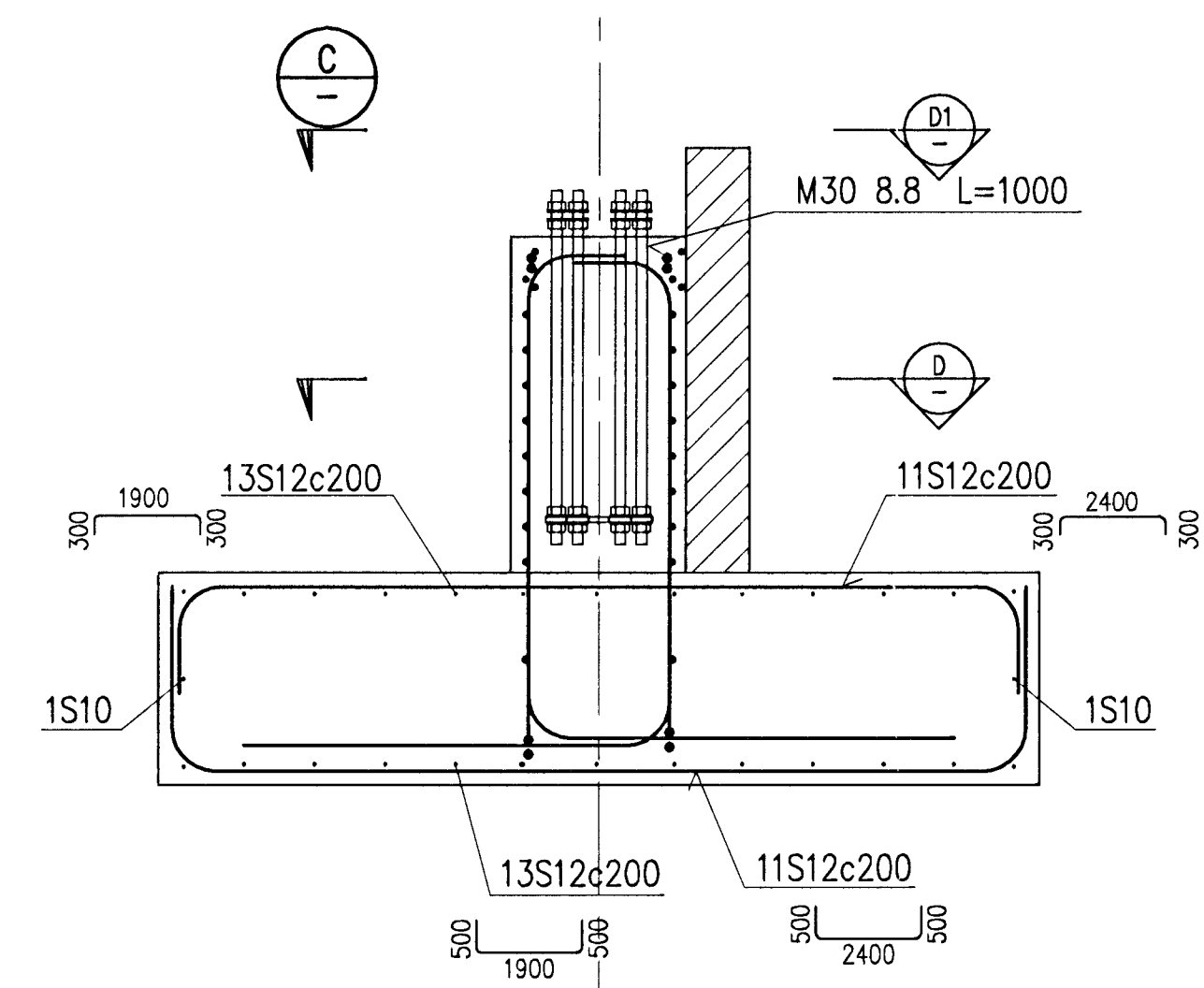
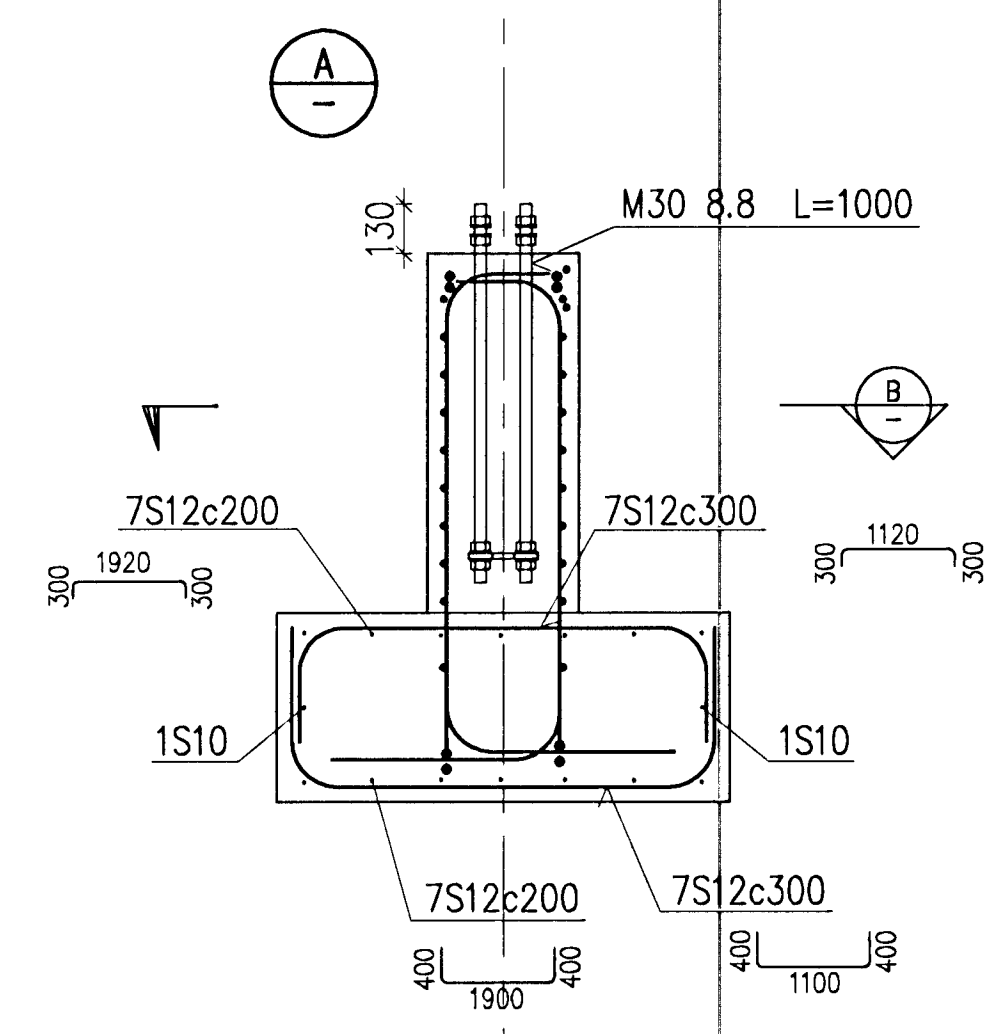
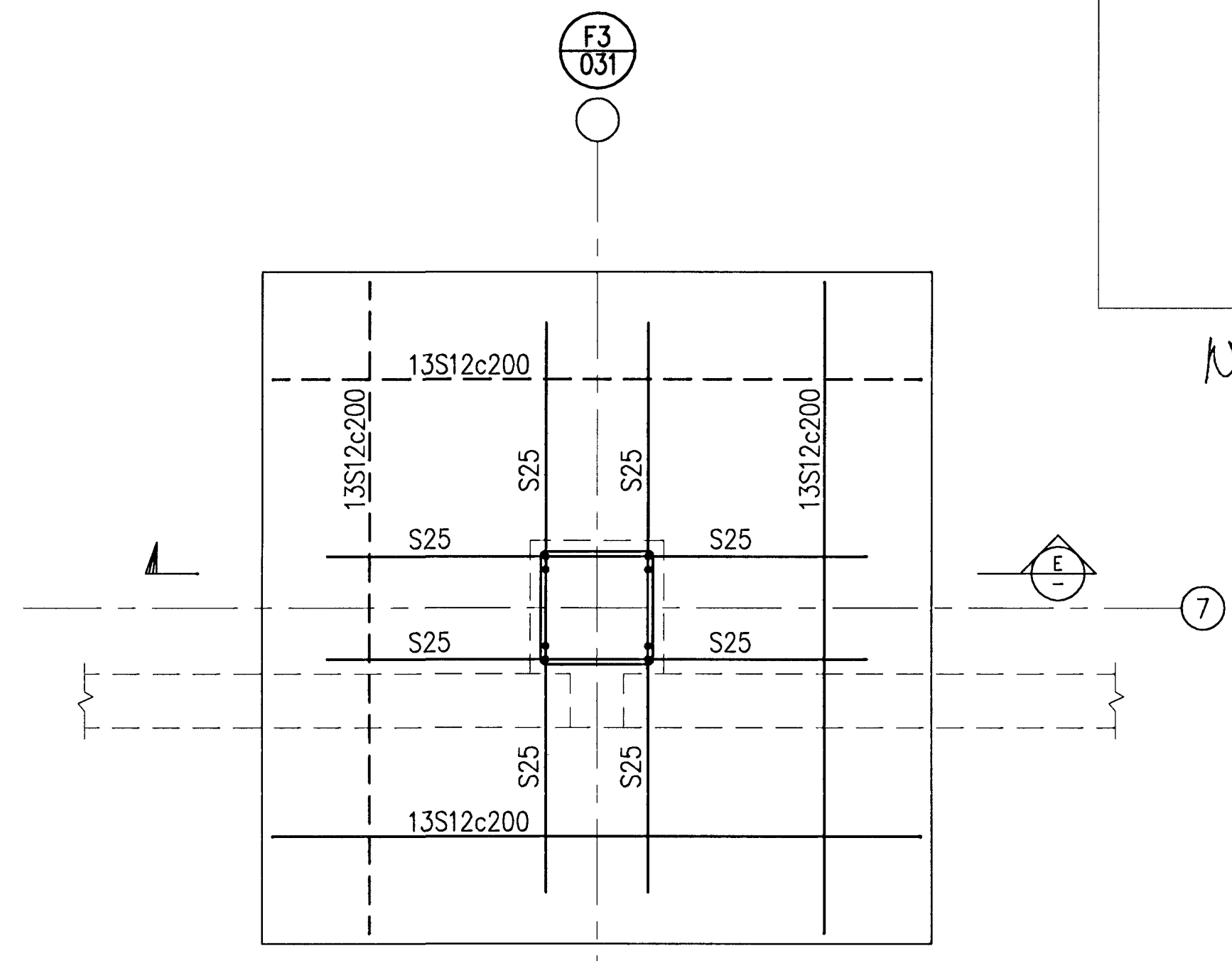
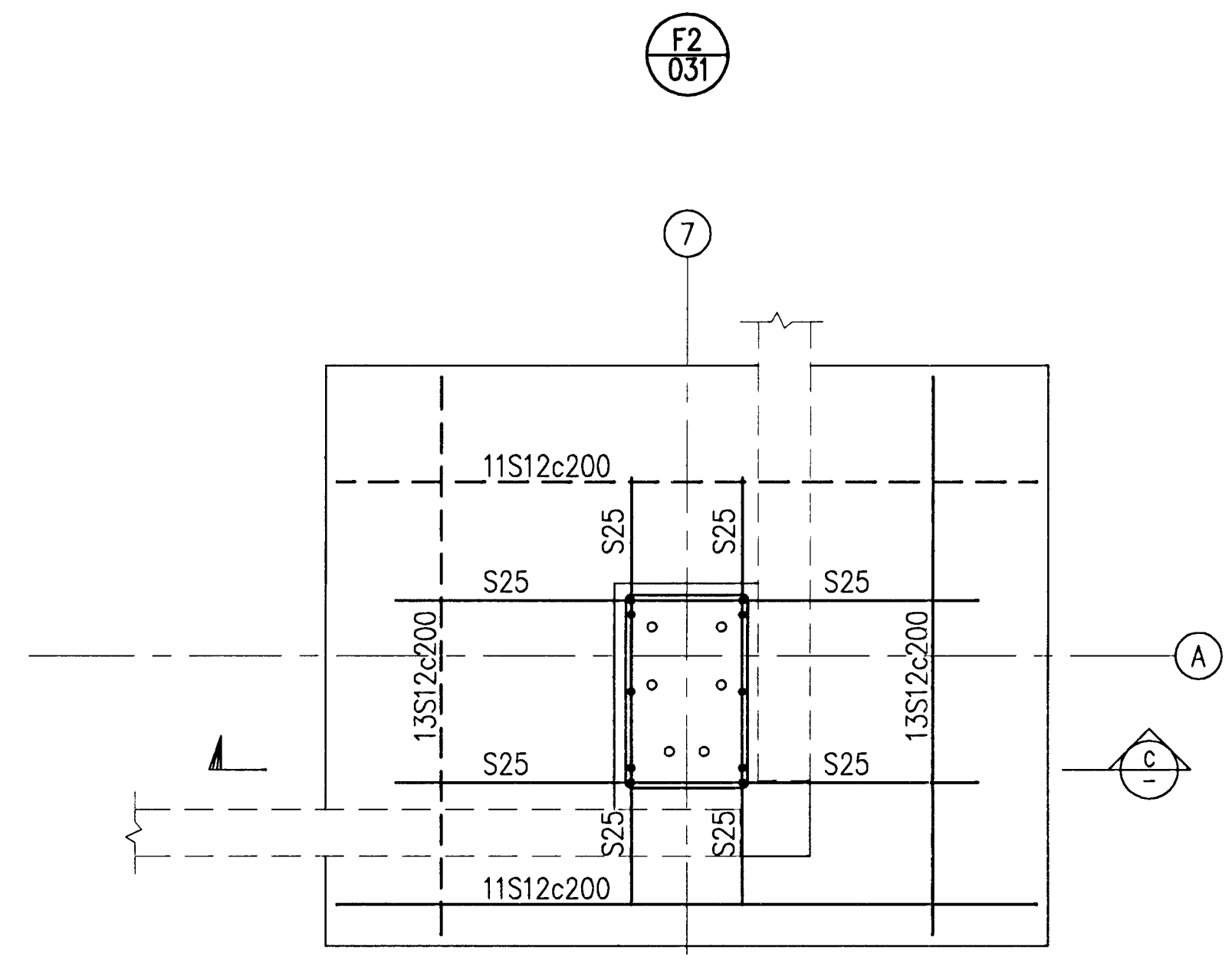
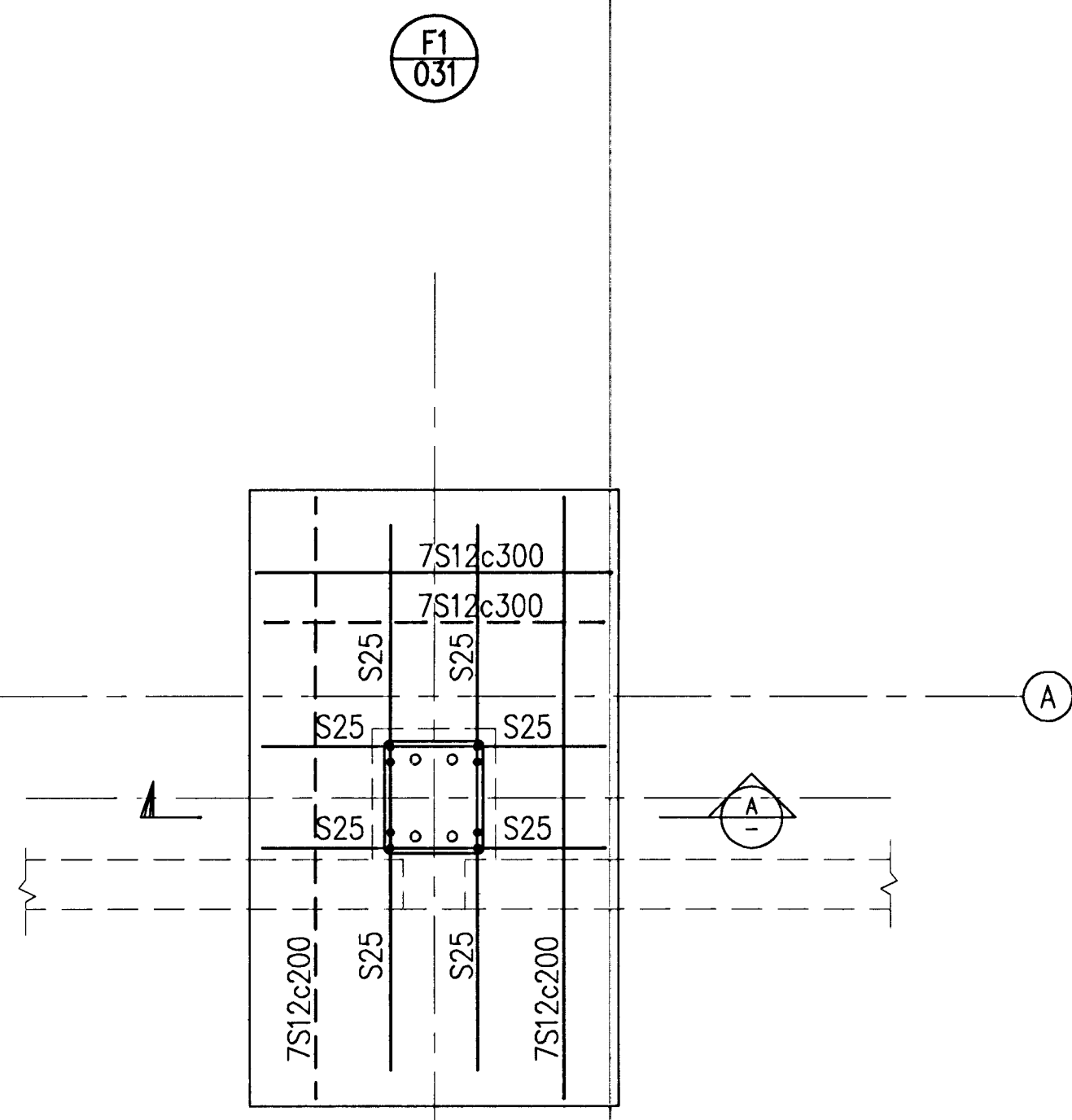
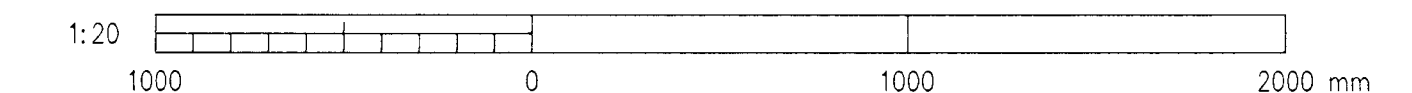


Samþykkt þann
 01 OCT 2012
 Byggingafrúnni / Hafnaráhrú
 Fh. Sigurður Steinar Jónsson

Nick Indriðason
 Kt. 181144-3949
 NI



CONCRETE: C30/37:XF3-38



Skýringar:
 Legend:

12	Record Drawing	2012.06.11	HS	NI	kg	new
Ótg nr	Lýsing	Dagsetning	Har/Ten	Yfirl	Notk heim	Notk heim
Rev no	Description	Date	Des/Drw	Old	Suppl Rel	ISAL Rel

This drawing is the property of Rio Tinto Alcan Iceland Ltd. and is loaned out for personal use only. It may neither be copied nor made available to others without permission of Rio Tinto Alcan Iceland Ltd. The receiver is liable for any misuse.

Scale: 1:20
 Dimensions without tolerances according to ISO 2768-1 medium.



Dagsetning / Date	2008.10.01
Hannað / Designed	HS
Tekni / Drawn	LDB
Verktaki / Supplier	HRV
Tekni.nr.verktaka / Supplier drw.no.	IDP-410-CA-015-041
Samþykkt / Approved	NI
Hluti af: / Part of:	

IPU 410 - SUBSTATION 220 kV SWITCHYARD BLD. FOUNDATION 1/4		Flokkur nr.:	Bláð nr.:	Nasta bl. nr.:
		Kostn. nr.-Cano. / Bl. nr.-Eq.no	4011	01188
REINFORCEMENT		AKS	UB01	
Rio Tinto Alcan		ISAL	Tekni.nr. ISAL / Drw.no. of ISAL	Breyt./Rev
		251218		A
ISAL Yfirgöng og skráð, daga / ISAL Checked, date		ISAL Samþykkt, daga / ISAL Approval, date		
EI/Sjo 2010.09.21		IKR/ 2010.09.21		