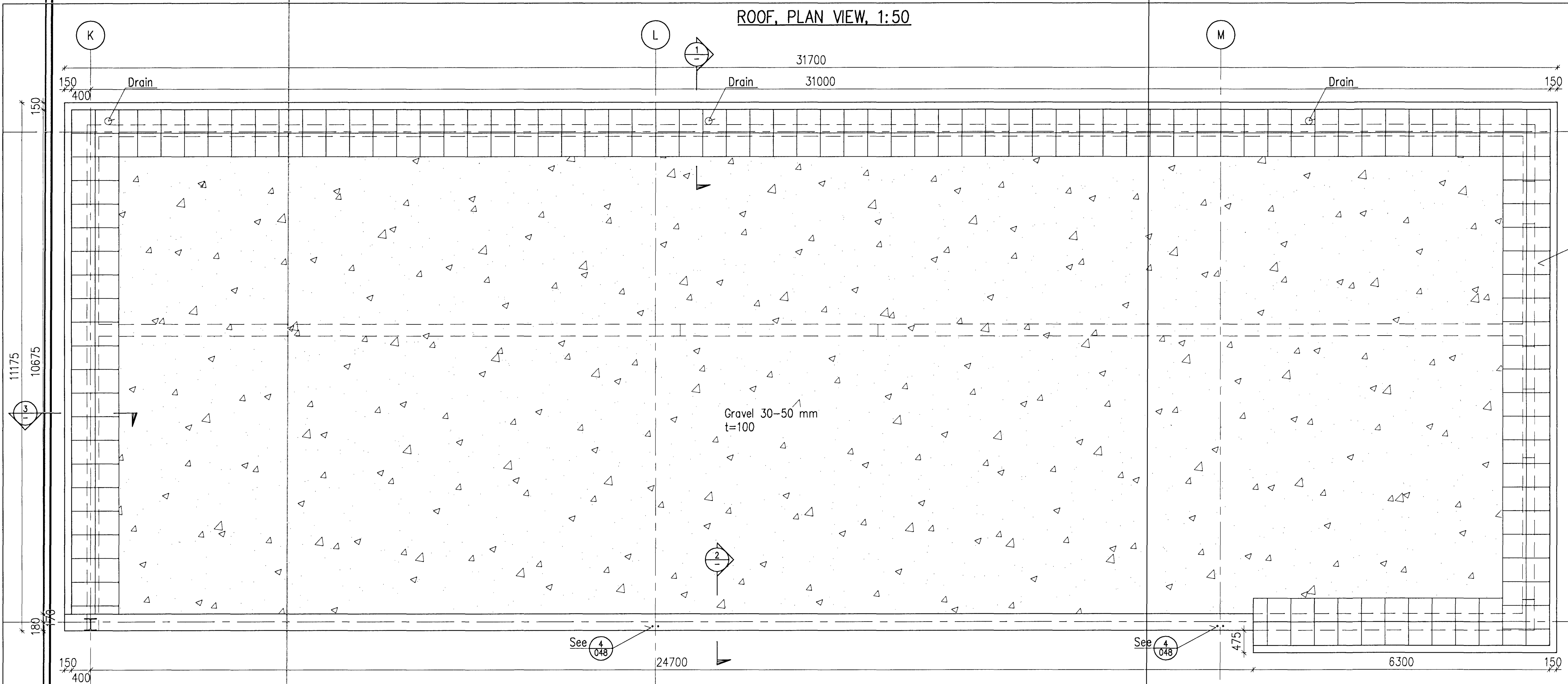


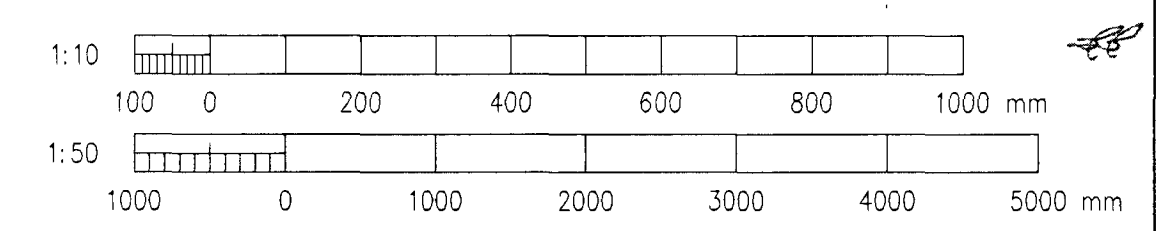
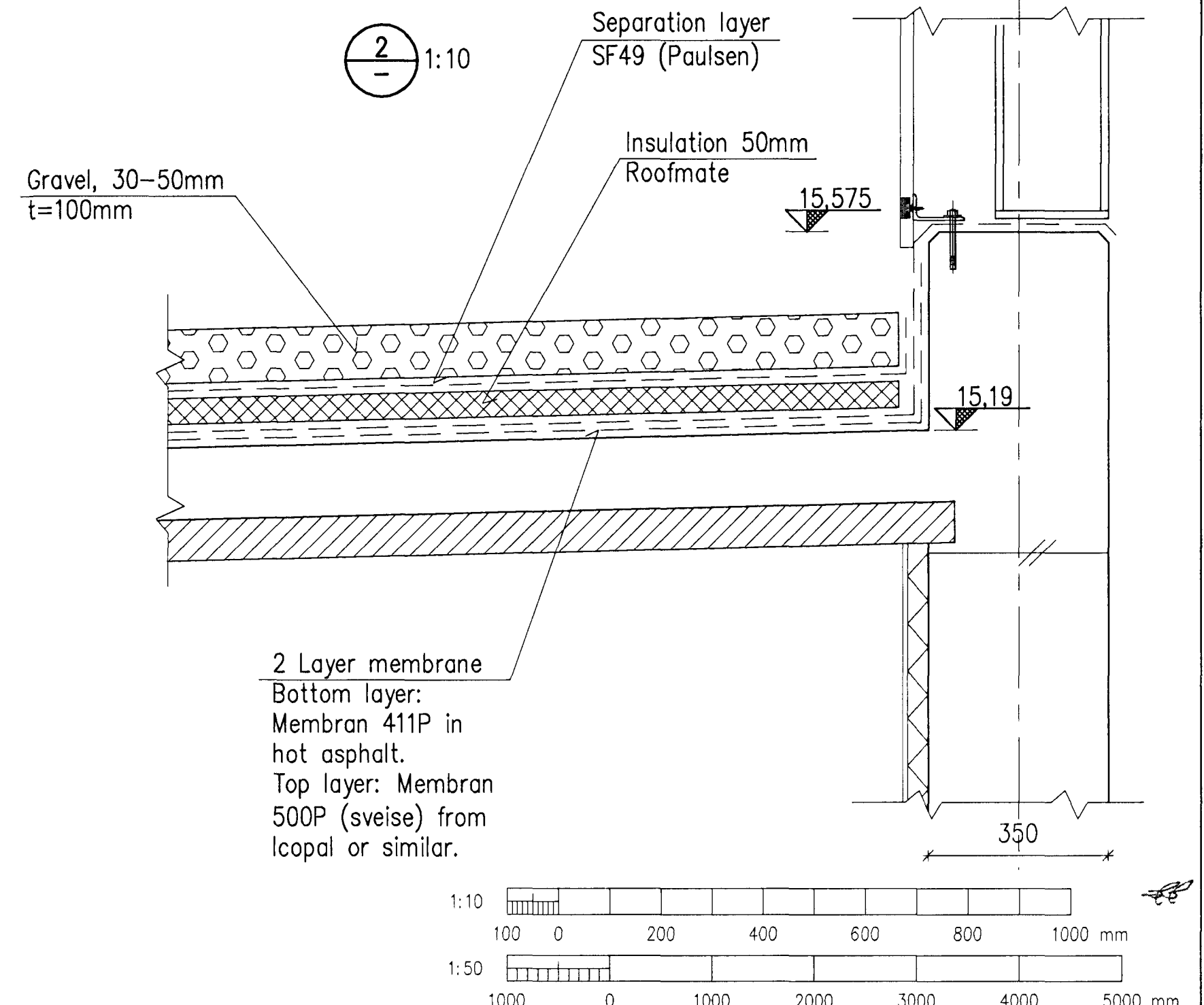
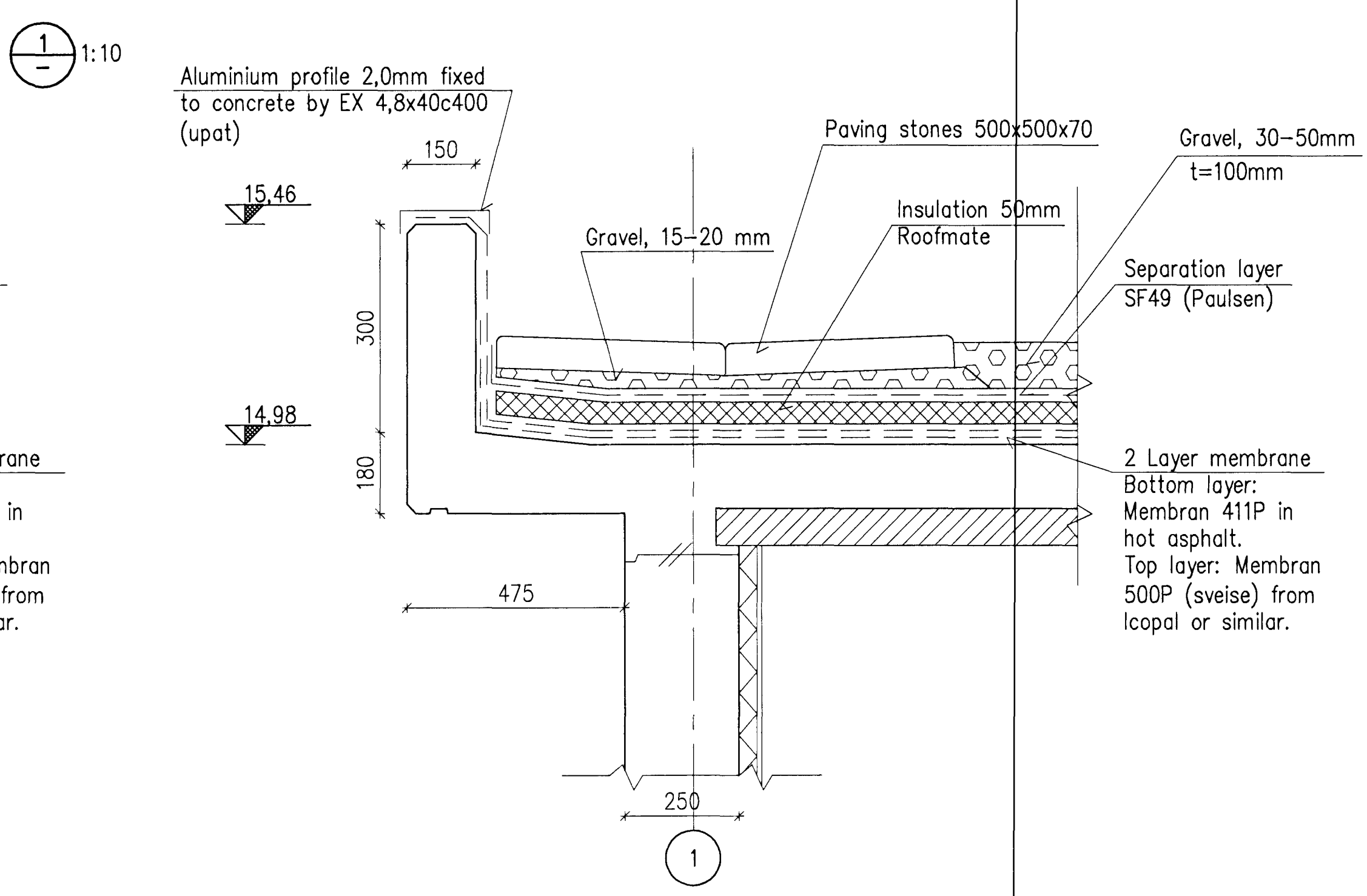
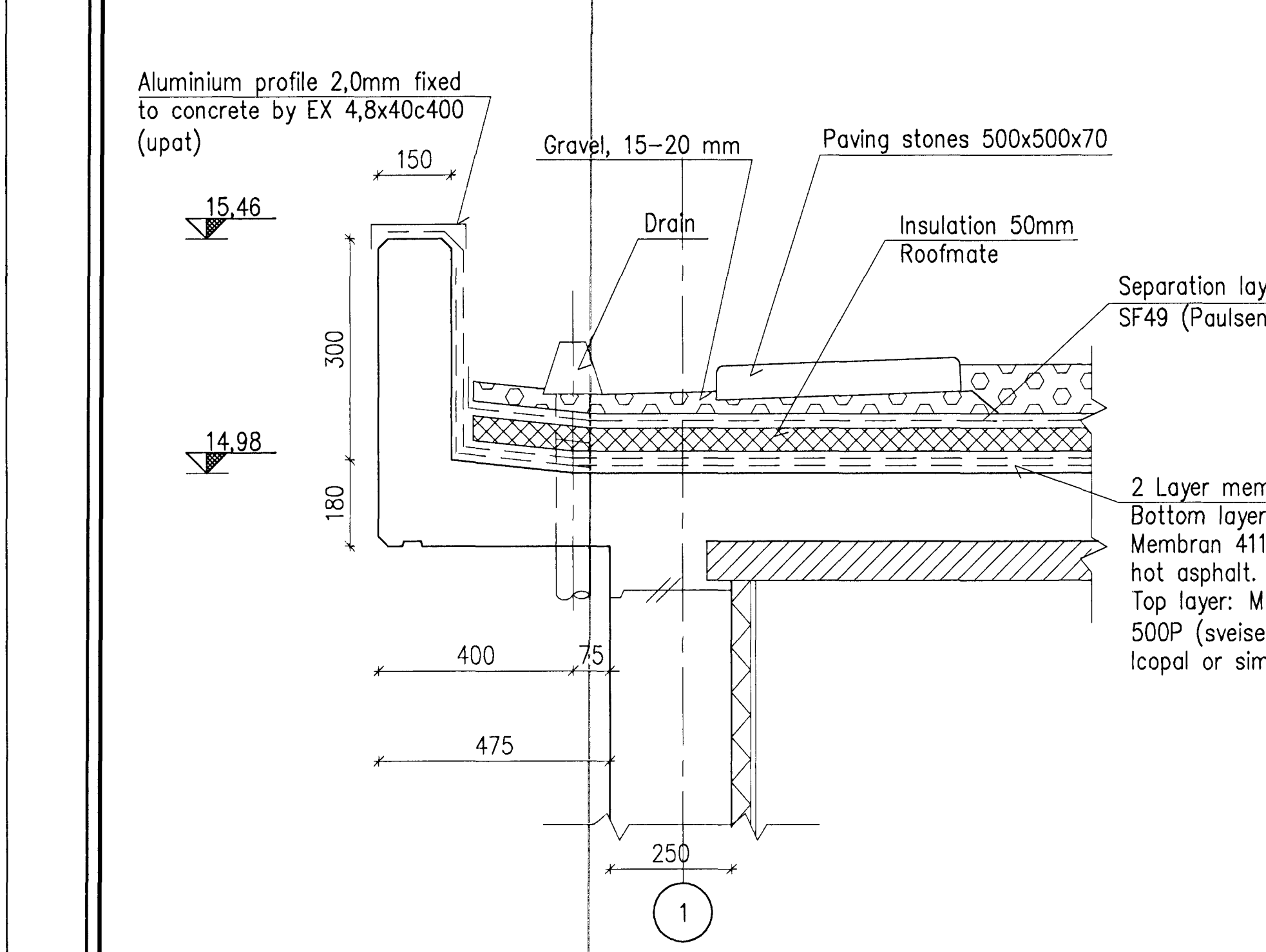
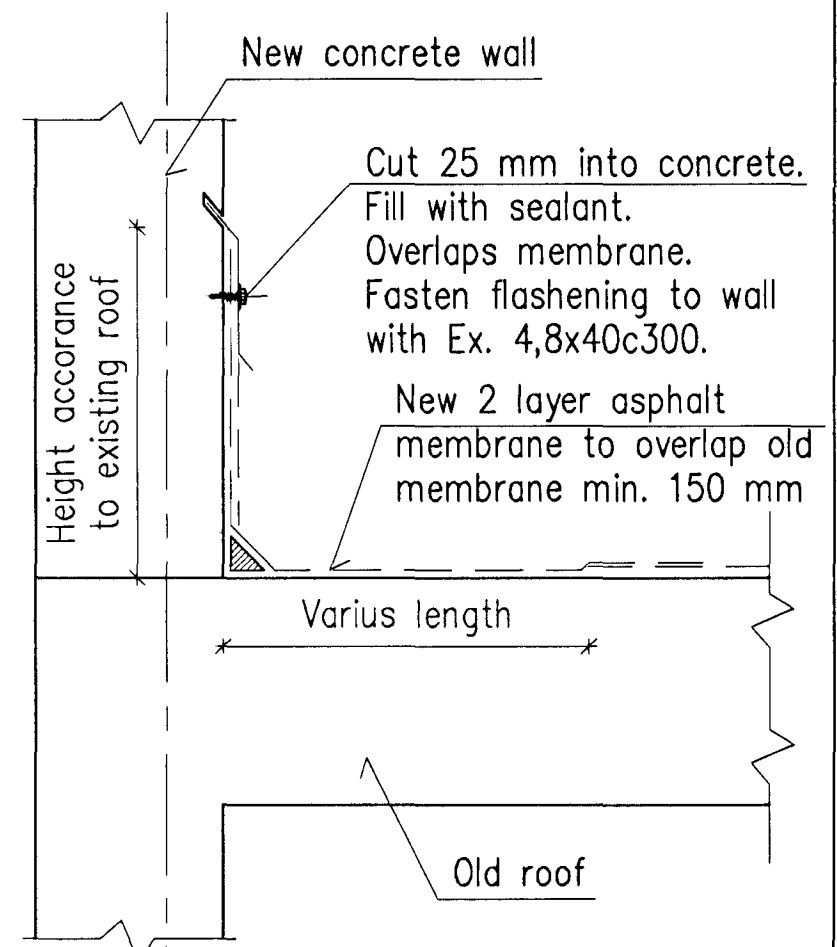
ROOF, PLAN VIEW, 1:50



Samþykkt þann  
 01 OCT 2012  
 Byggingaflutrynn / Hafnarfirði  
 F.h. Sigurður Steinar Jónsson

Níels Indriðason  
 Kt. 181144-3949 NI

Paving stones  
 500x500x70  
 1:10



Skýringar Legend	<p>This drawing is the property of Rio Tinto Alcan Iceland Ltd. and handed out for personal use only. It may neither be copied nor made available to others without permission of Rio Tinto Alcan Iceland Ltd. The receiver is liable for any misuse.</p>						Dagsetning / Date 2008.10.01		IPU 410 - SUBSTATION 60 kV SWITCHGEAR BLD. FORMWORK		Flokkur nr. / Blað nr.:	Næsta blinn.:	
	14 Record Drawing 2012.08.11 HS NI EG rcs						Tekn. / Drawn HS LDB	Verktaki / Supplier HRV	Tag. teki / Approved NI	Tekn. nr. / Supplier draw no. IDP-410-CA-015-038	Formwork / Dwg. type: ROOF DETAILS	Kostn. nr. - Ónno. / Blað nr. - Eq.no. 4011 01188	AKS UB01
Útg. nr. / Rev. no. Lýsing / Description					Dagsetning / Date 2012.08.11	Höfundur / Des. / Drawn HS	Yfirlit / Checked NI	Notk. heim. / Notk. heim. Suppl. Rea. / ISAL Rea.	Hlutur af / Part of:	ISAL Yfirlit og skráð, dags. / ISAL Checked, date	ISAL Samþykkt, dags. / ISAL Approval, date		