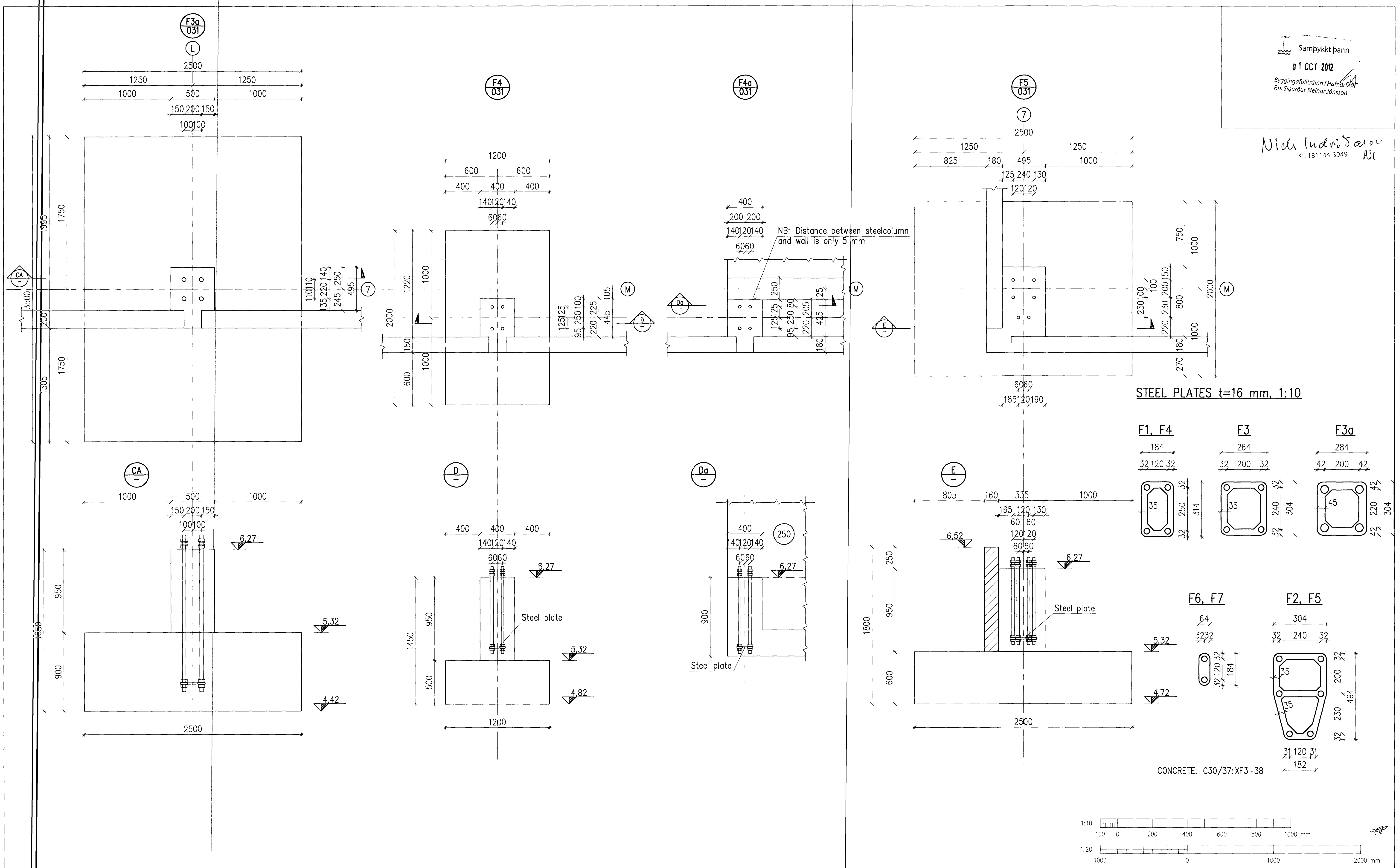
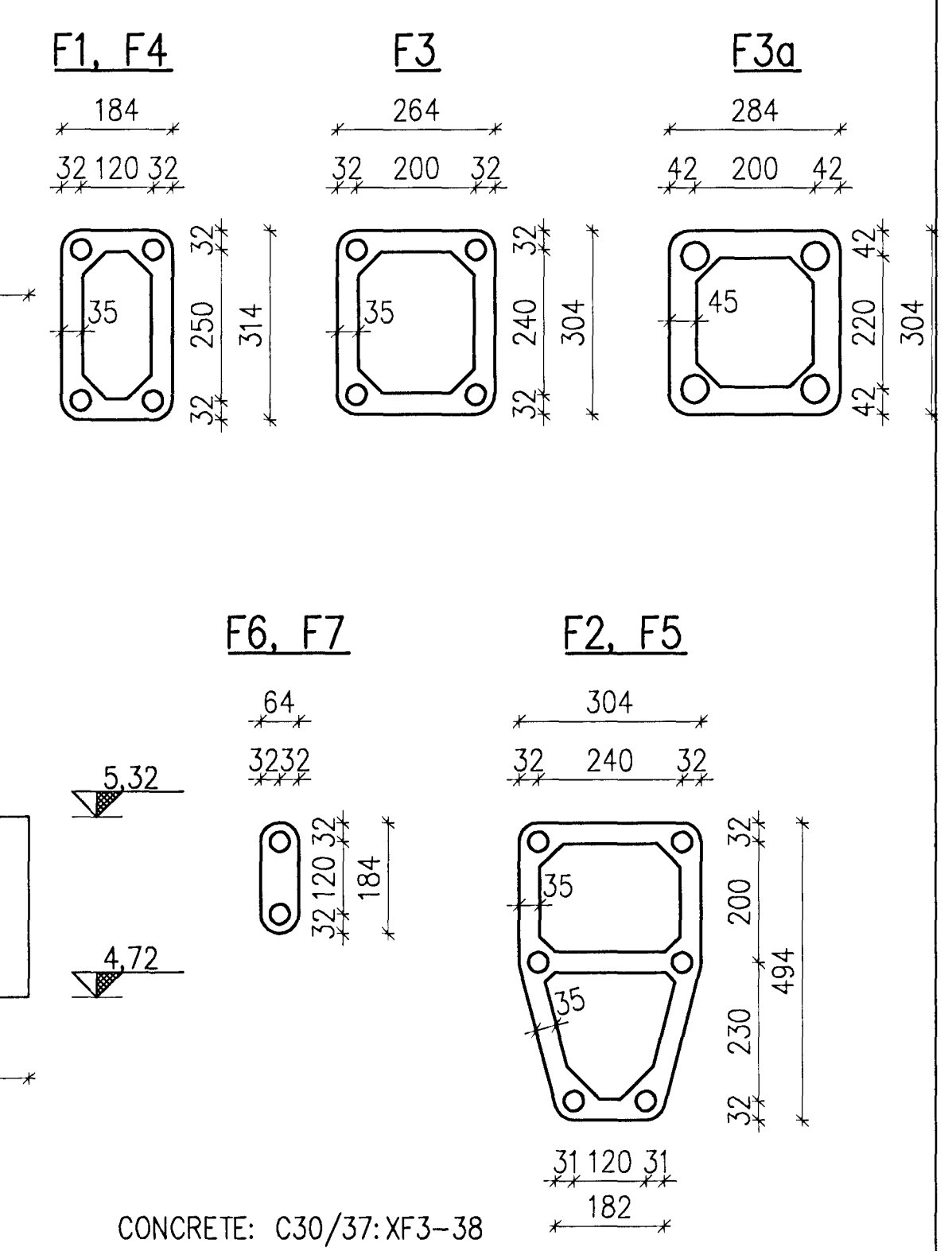


Samþykkt þann  
 01 OCT 2012  
 Byggingafultrúinn / Hafnarfor  
 F.h. Sigurður Steinar Jónsson

Níli Indriðason  
 Kt. 181144-3949 NI



STEEL PLATES t=16 mm, 1:10



CONCRETE: C30/37;XF3-38

Skýringar:  
 Legend:

14	Record Drawing	2012.05.11	HS	NI	BA	KS
Útg. nr	Rev. no	Lýsing Description	Dagsetning Date	Man/Úr Des/Drw	Yfir Ckd	Notk. heim Suppl. Rel

This drawing is the property of Rio Tinto Alcan Iceland Ltd. and handed out for personal use only. It may neither be copied nor made available to others without permission of Rio Tinto Alcan Iceland Ltd. The receiver is liable for any misuse.

Scale: 1:10, 1:20  
 Dimensions without tolerances according to ISO 2768-1 medium.

**HRV & HATCH**  
 ISAL PRODUCTION OPERATOR

Dagsetning / Date: 2008.10.01  
 Hönnuð / Designed: HS  
 Tækn. / Drawn: LDB  
 Verktaki / Supplier: HRV  
 Tækn. nr. verktaka / Supplier drw. no.: IDP-410-CA-015-033  
 Samþykkt / Approved: NI  
 hluti af / Part of:

IPU 410 - SUBSTATION  
 220 kV SWITCHYARD BLD. AND  
 FOUNDATION, DETAILS AND SECTIONS 2/3

Flokkur nr.: 4011  
 Blað nr.: 01188  
 Nasta bl. nr.:  
 Kostn. nr. - Cno. / Bón. nr. - Eq. no.:  
 4011 01188

Teg. teikningar / Dwg. type: 60 kV SWITCHGEAR BLD.  
 AKS UB01

**RioTintoAlcan**  
 ISAL Alcan Iceland Ltd  
 Straumsvík  
 IS-222 Hafnarforður  
 Ísland

Tekn. nr. ISAL / Drw. no. of ISAL: 251210  
 Breyt. / Rev.: A

ISAL Yfirfor og skrá, daga / ISAL Checked, date  
 ISAL Samþykkt, daga / ISAL Approval, date