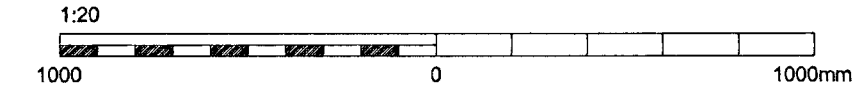
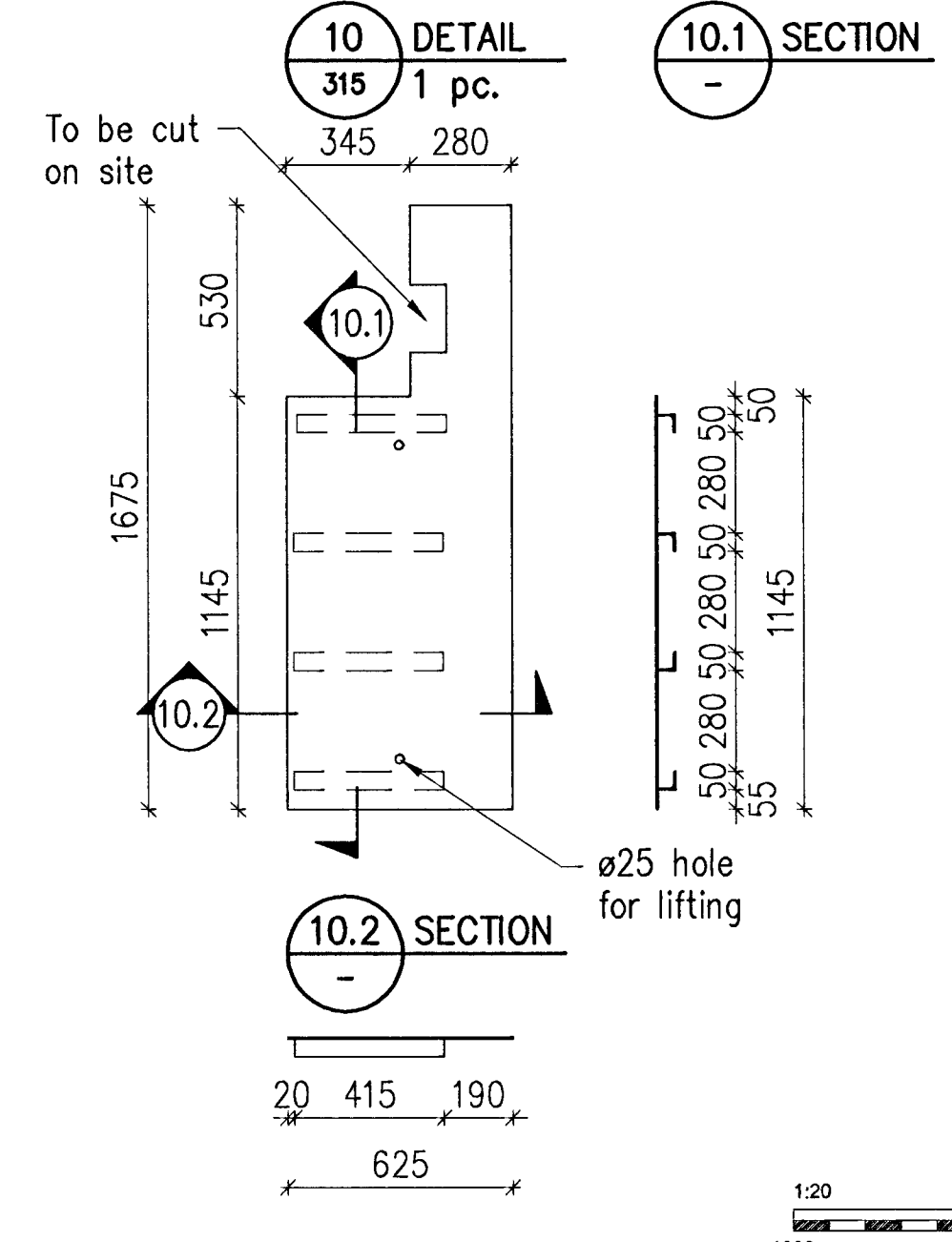
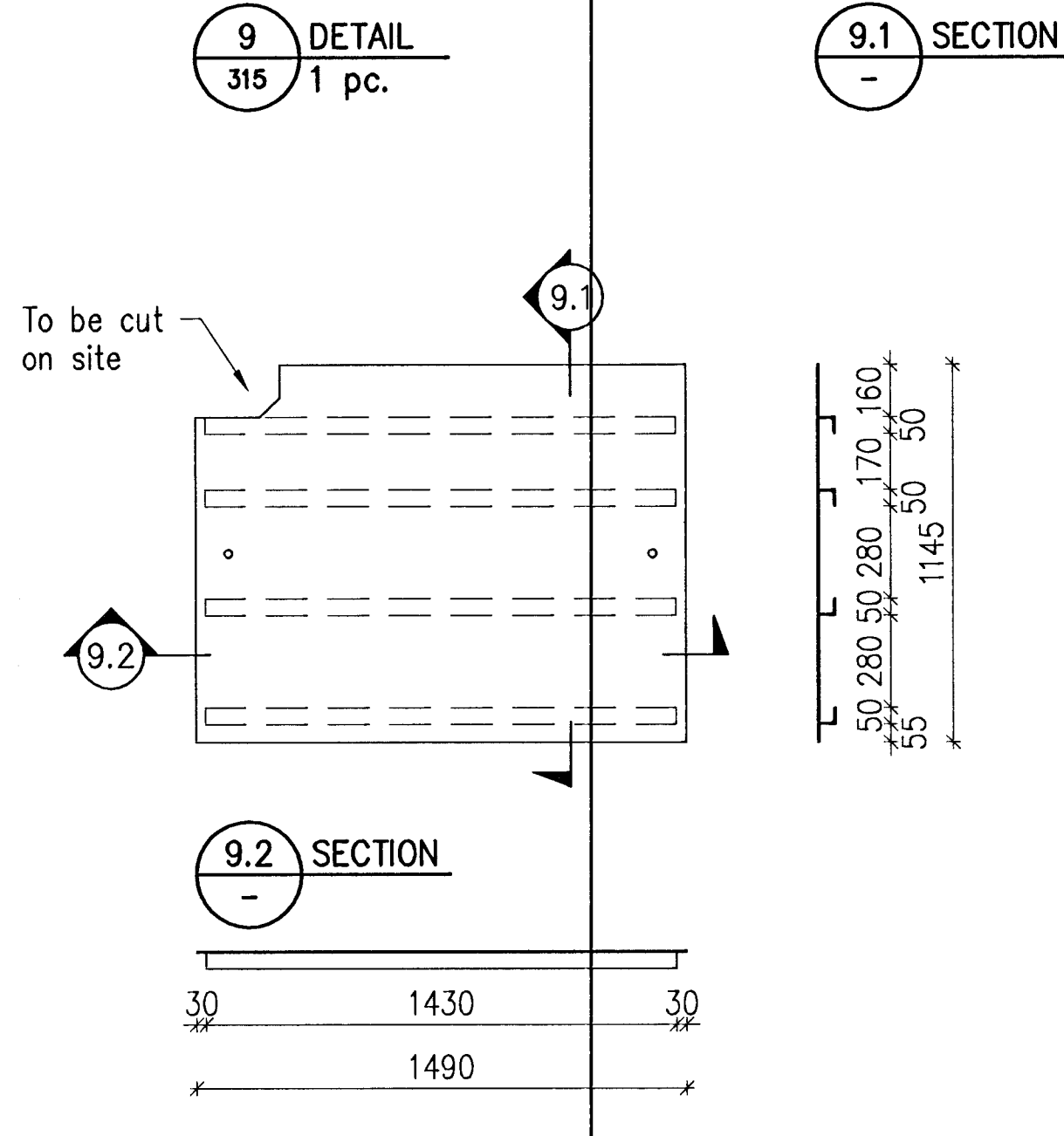
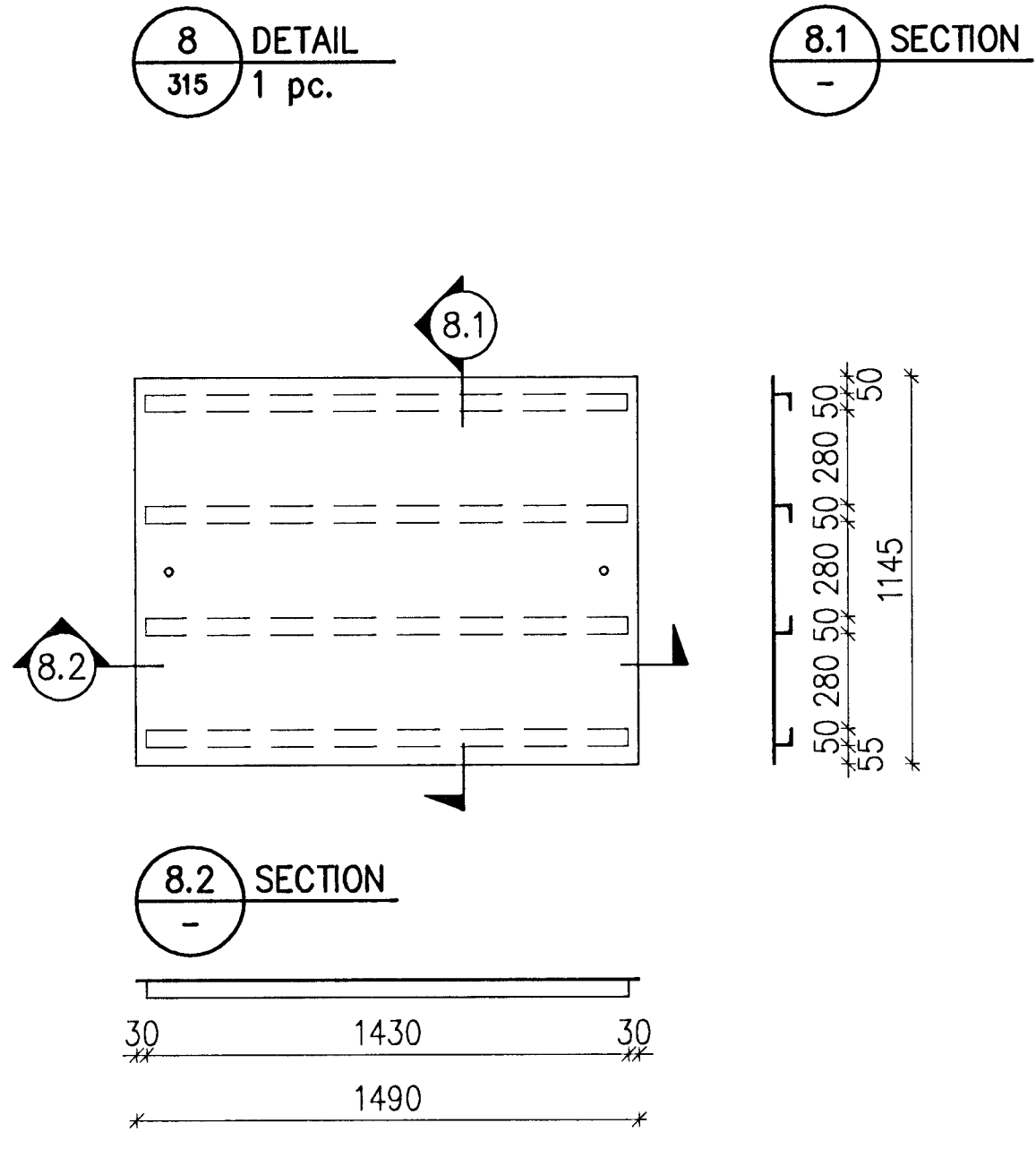
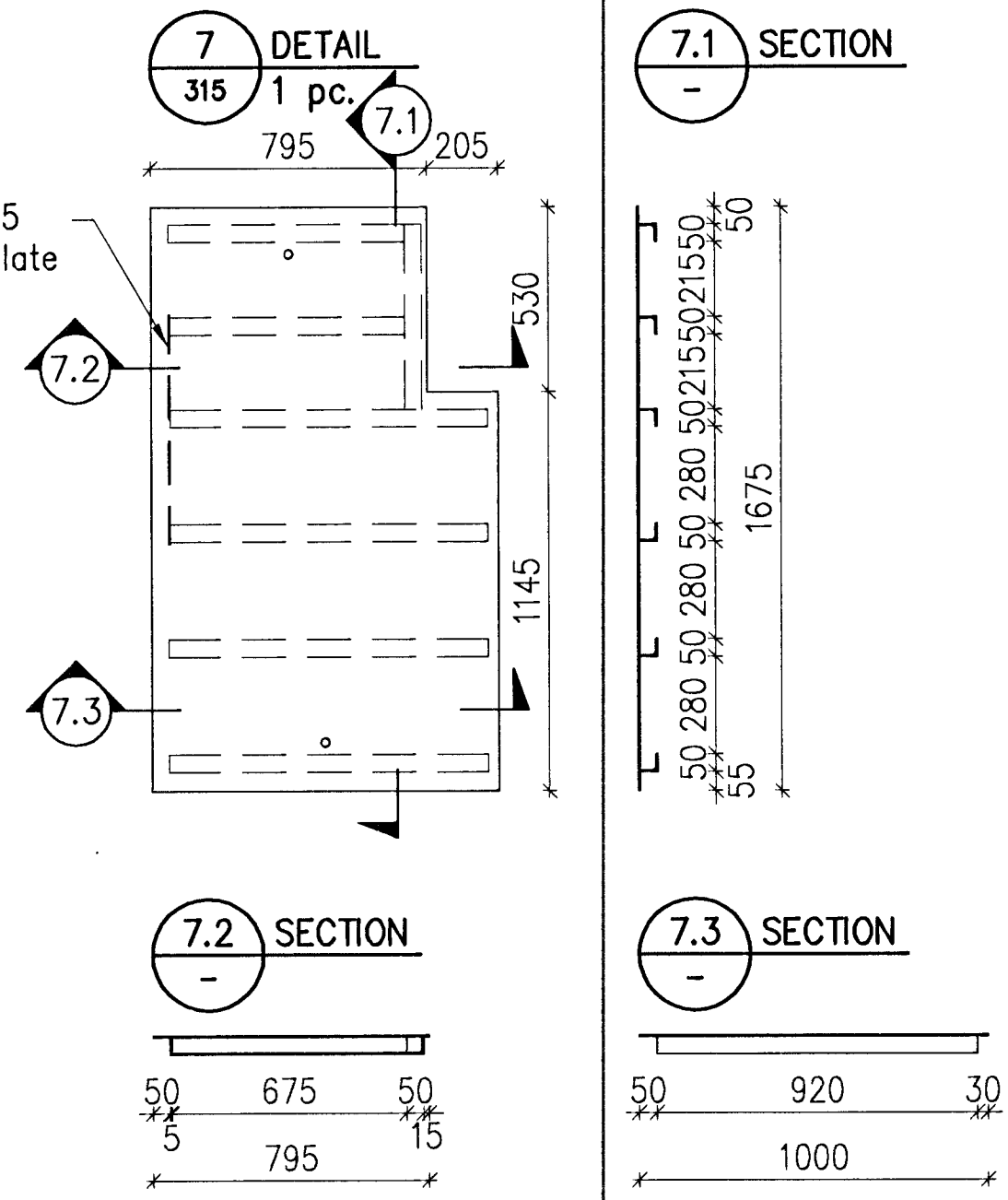
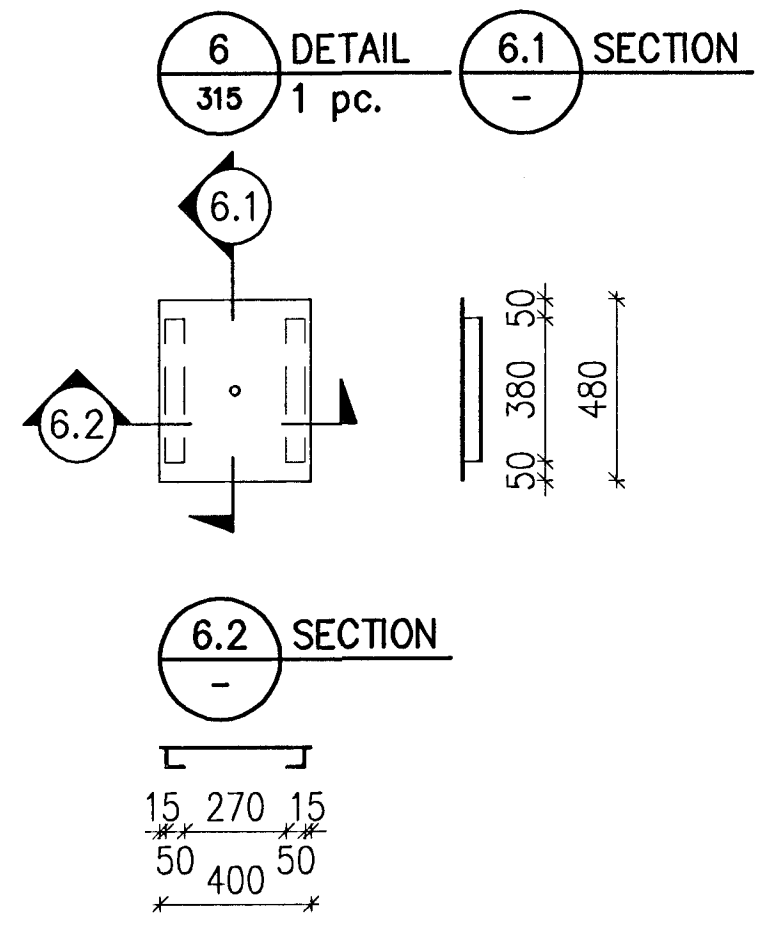
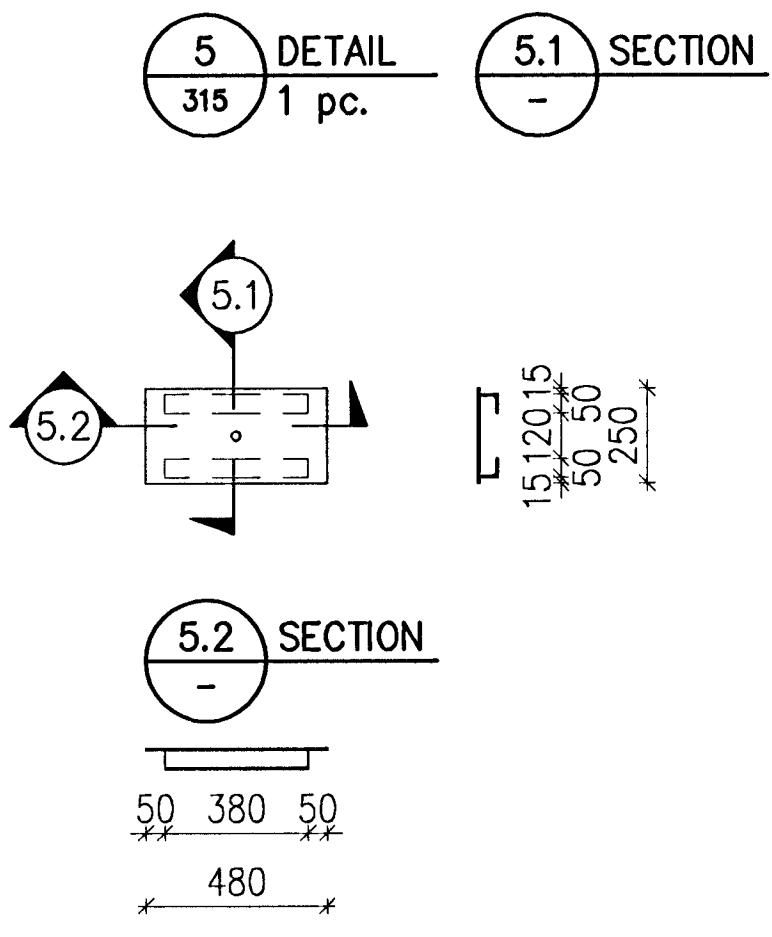
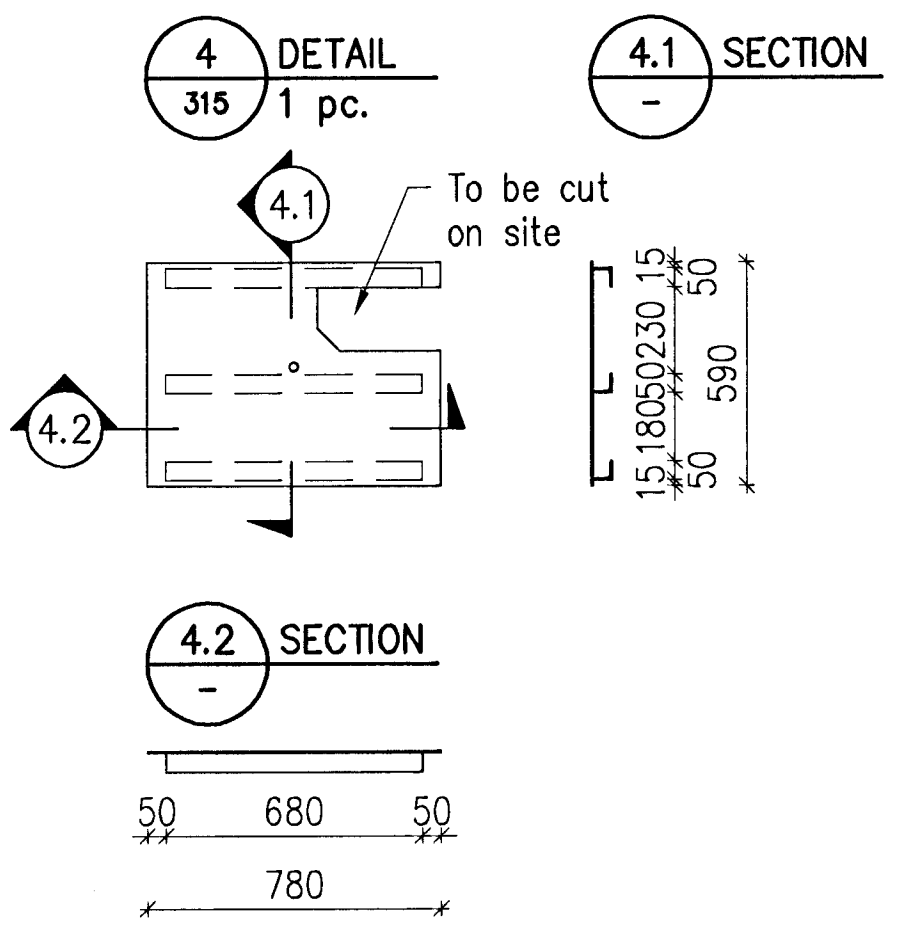
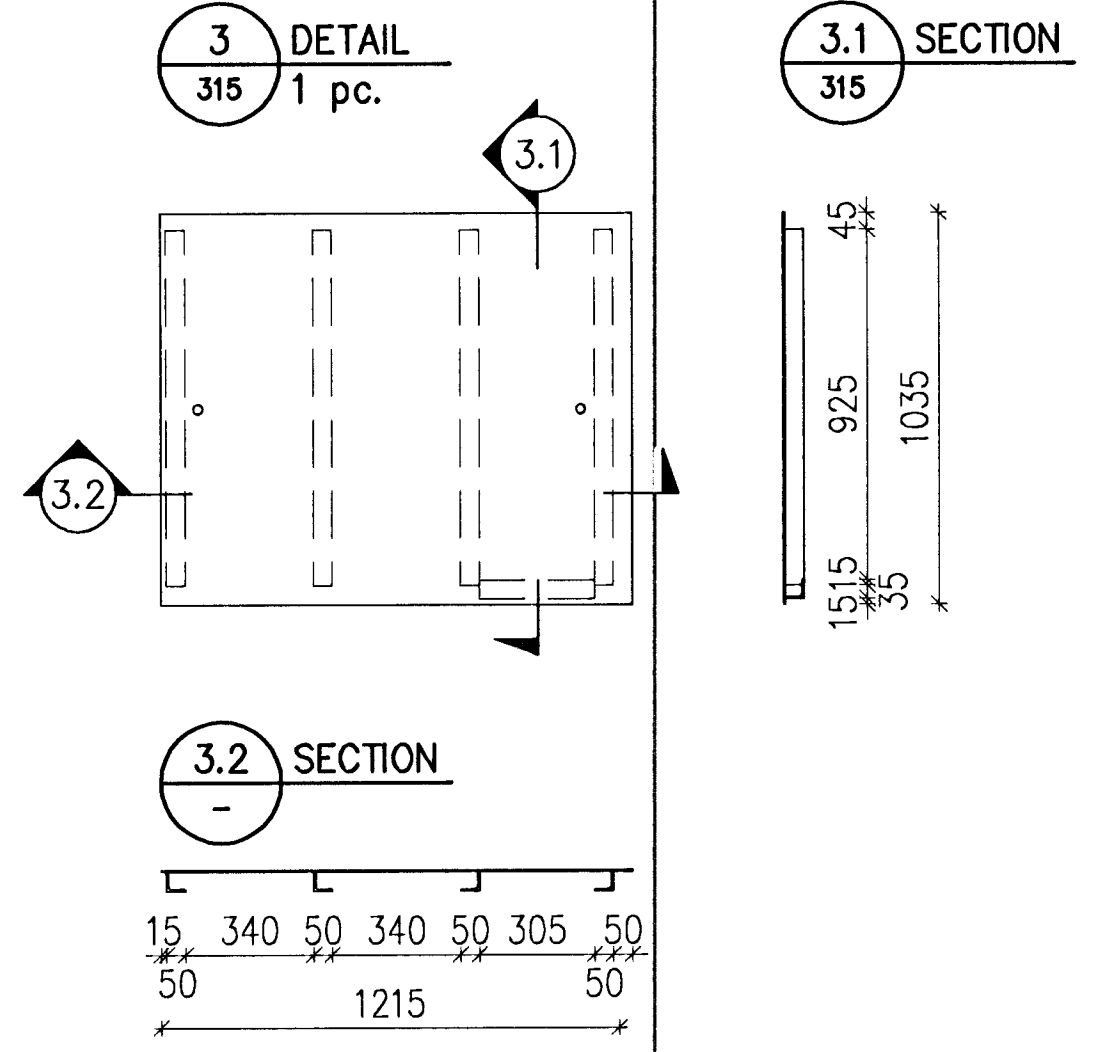
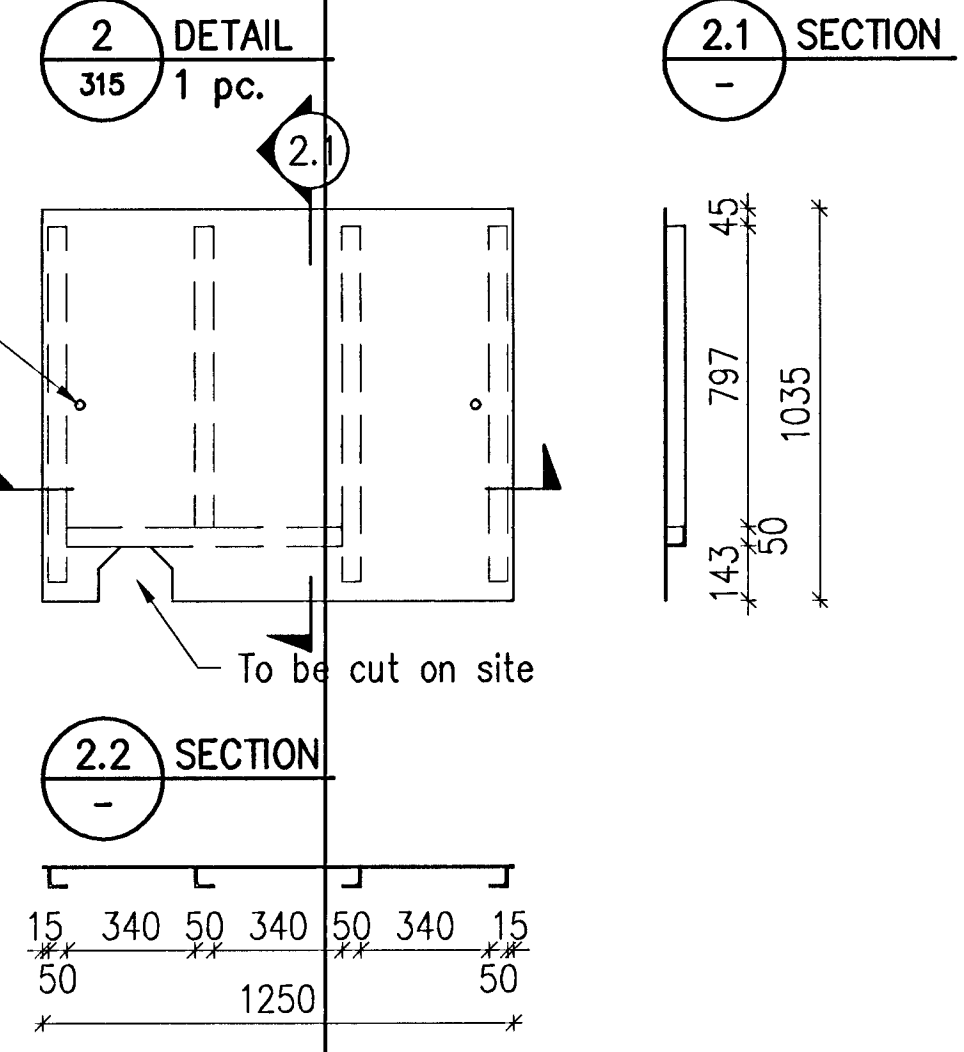
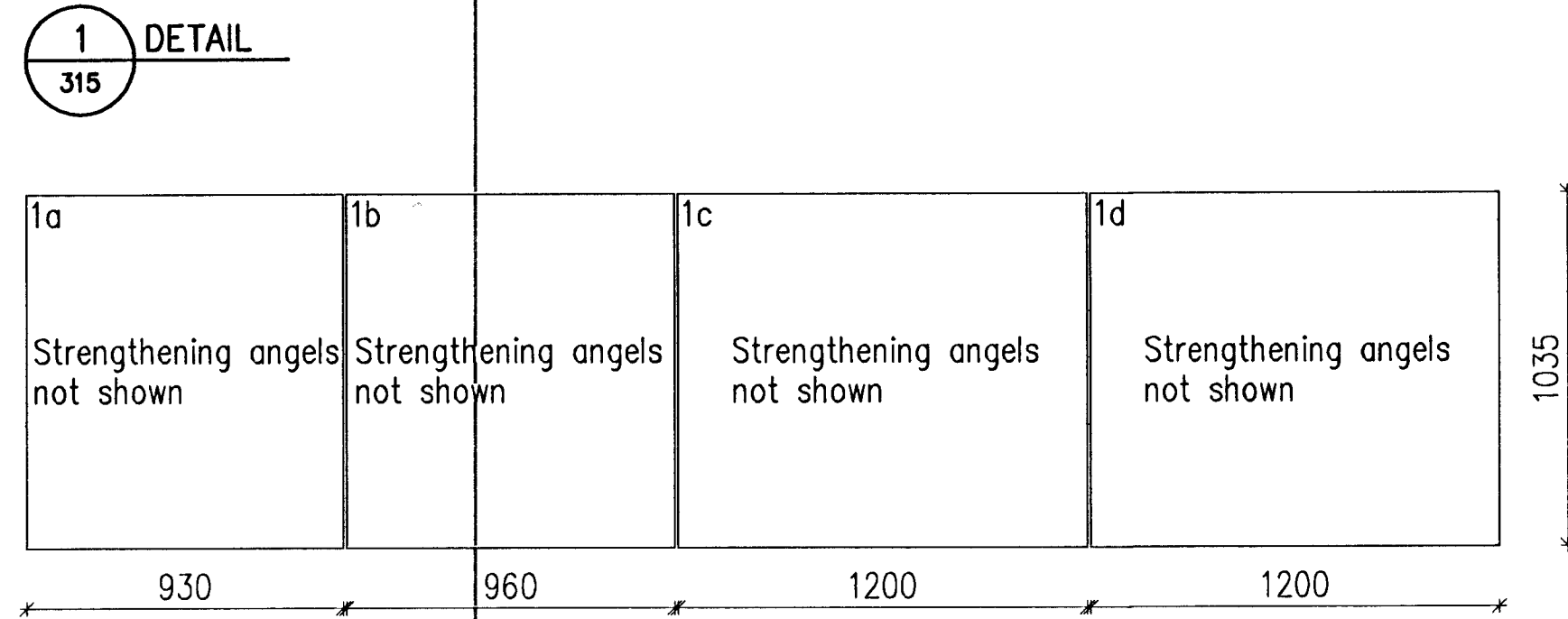


Níels Indriðason
 Kt. 181144-3949
 NI



Skýringar: Plates are aluminium chequered plates 5/7
 Legend: Angles are aluminium 50x50x5 welded to plates.
 All dimensions shall be checked on site.

2	Record drawing	2012.09.12	HS	NI	sq	reth			
Ög nr	Lýsing	Dagsetning	Höf / Út	Yfir	Stjór	Stjór	Stjór	Stjór	Stjór
Rev no	Description	Date	Des/Drw	Disc	Suppl	Ref	ISAL Ref		

This drawing is the property of Rio Tinto Alcan Iceland Ltd. and handed out for personal use only. It may neither be copied nor made available to others without permission of Rio Tinto Alcan Iceland Ltd. The receiver is liable for any misuse.
 Scale: 1:20
 Dimensions without tolerances according to ISO 2768-1 medium.

Dagsetning / Date	2011.09.14
Höfundur / Designed	HS
Tekni / Drawn	LDB
Verktaki / Supplier	HRV
Tekni nr verktaka / Supplier drw no.	IDP-410-ZA-015-317
Samþykkt / Approved	NI
Yfir / Chkd	NI
Hluti af / Part of:	

IPU410-RECTIFIER BUILDINGS		Flokkur nr.:	Blað nr.:	Næsta bl. nr.:
B5/S2		Kostn. nr. - Cno. / Bn. nr. - Egn.:	4011	13982
GRATING AND COVER PLATES, DETAILS AND SECTIONS		Fag. teikningar / Dwg. type:	STRUCTURAL STEEL	UB12
Rio Tinto Alcan		Tekni nr. ISAL / Dwg. no. of ISAL	251367	Breyt / Rev. A
ISAL		ISAL Yfirfarir og skráð, dags / ISAL Checked, date	ISAL Samþykkt, dags / ISAL Approved, date	