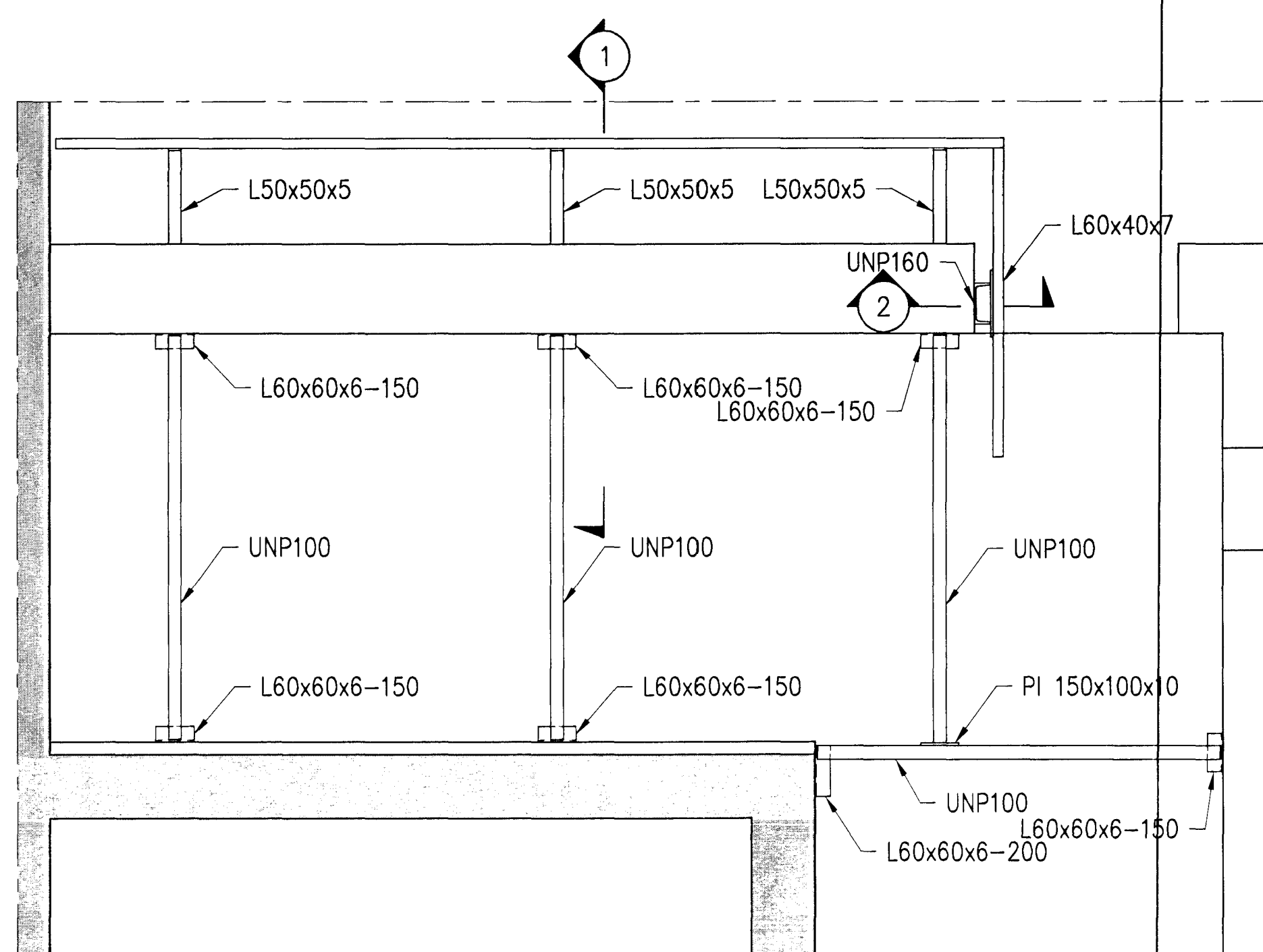
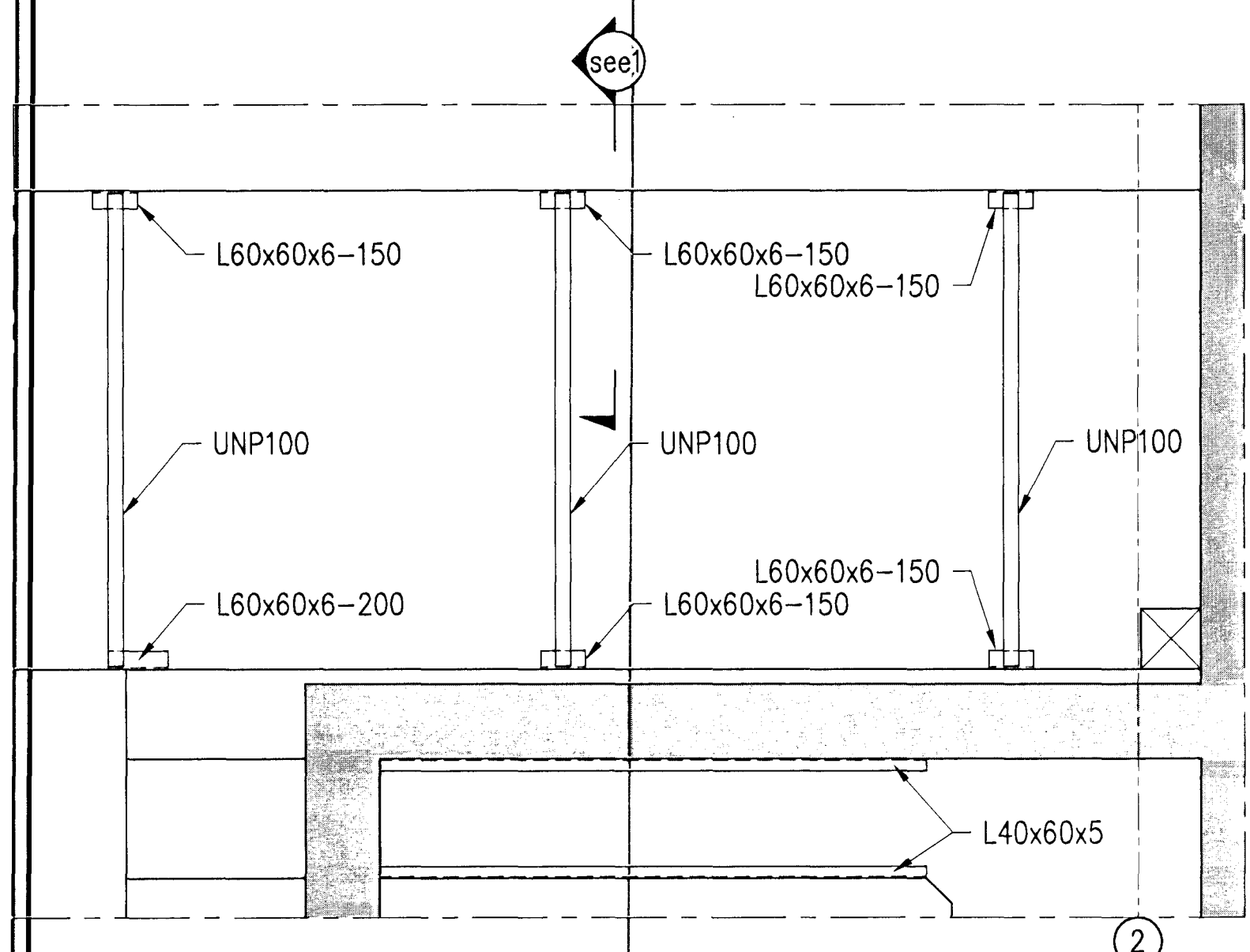


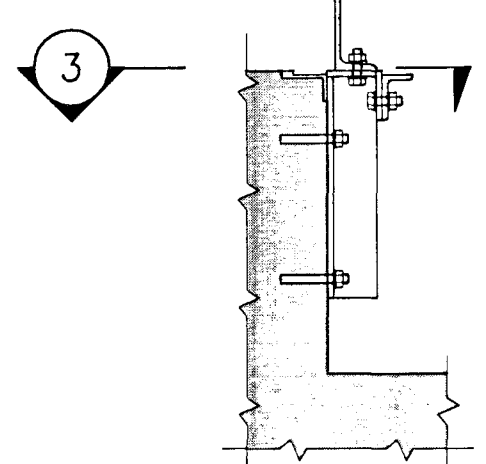
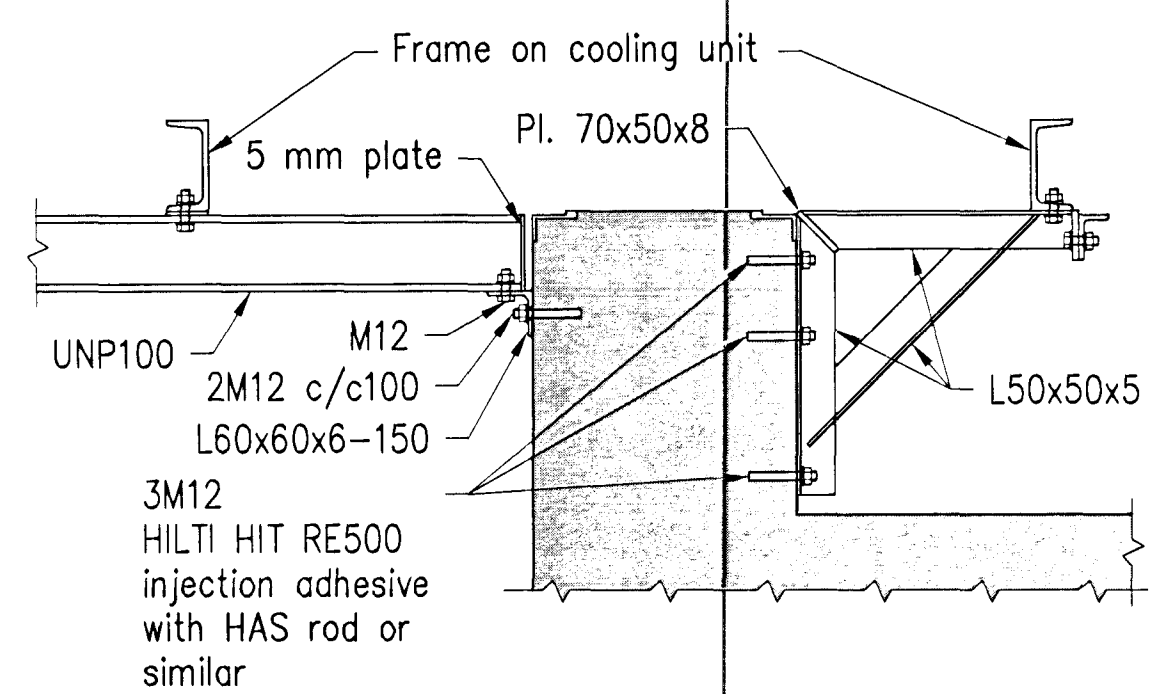
D1 DETAIL  
315 1:20

D2 DETAIL  
315 1:20

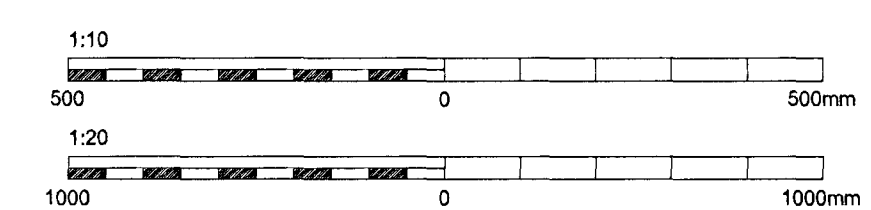
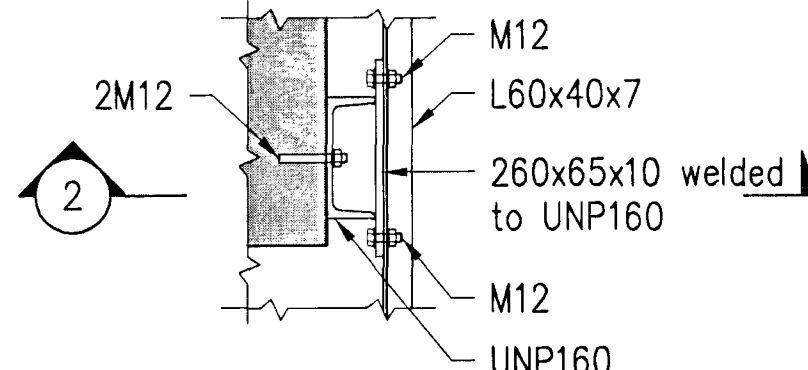


1 SECTION  
- 1:10

2 SECTION  
- 1:10



3 SECTION  
- 1:10



Skýringar:  
Legend

**GENERAL NOTES**  
Steel: S235  
Bolts: 8.8  
All grating, support angles, beams and anchorbolts to be hot dip galvanized, min 80µ.  
Grating: Weland H6 40/3 Mesh size 34x75 or similar.  
Dimensions shall be determined on site.

C:\VDP\01\_VDP\400 - Reduction\410 Substation\Drawings\Civil\01\_VDP-410-2A-015-316.dwg

Stig nr / Rev no	Lýsing / Description	Dagsetning / Date	Har/Tin / Des/Drw	YFH / Chk	Notk heim / Suppl. Re	Notk heim / ISAL Re
2	Record drawing	2012.09.12	HS	NI	EG	RES

This drawing is the property of Rio Tinto Alcan Iceland Ltd. and handed out for personal use only. It may neither be copied nor made available to others without permission of Rio Tinto Alcan Iceland Ltd. The receiver is liable for any misuse.

Scale: 1:10/20  
Dimensions without tolerances according to ISO 2768-1, medium.



Dagsetning / Date	2011.09.14
Harinn / Designed	HS
Tekinn / Drawn	LDB
Verktaki / Supplier	HRV
Tekn.nr./verktaki / Supplier draw.no.	IDP-410-ZA-015-316
Samþykkt / Approved	YFH / Chkd
HRV	NI
Hitt af: / Part of:	

IPU410-RECTIFIER BUILDINGS  
B5/S2  
GRATING AND COVER PLATES, DETAILS AND SECTIONS

STRUCUTURAL STEEL

**Rio Tinto Alcan**

Flokkur nr. / Blað nr.:	Nasta blinn.:
Kostn.nr.-Cano. / Búg.nr.-Eq.no	4011 / 13982
Tekn.nr. ISAL / Drw.no. of ISAL	251366
Breyt./Rev.	A

ISAL Yfirfarið og skráð, dags / ISAL Checked, date ISAL Sámbýkkt, dags / ISAL Approval, date