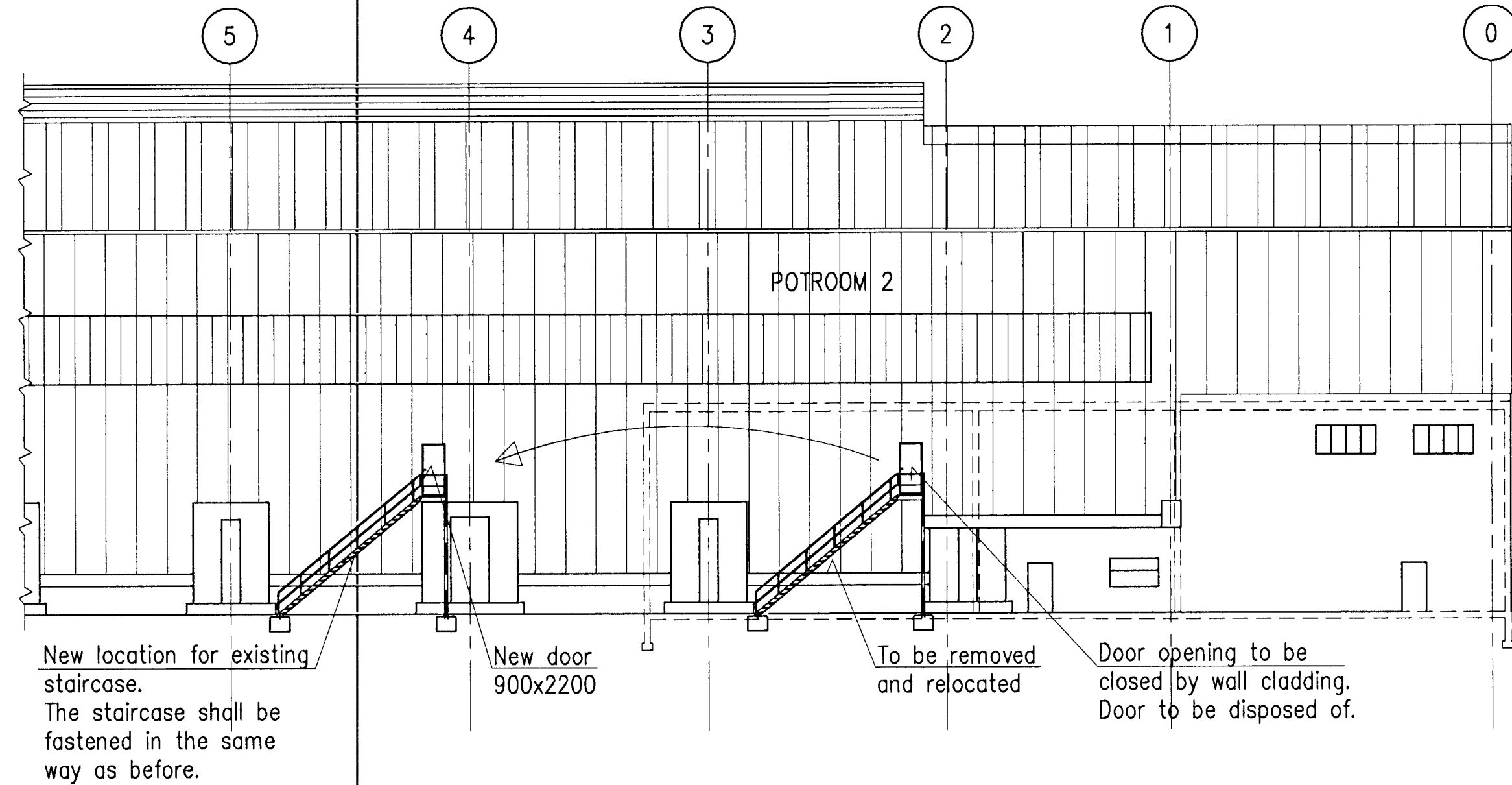
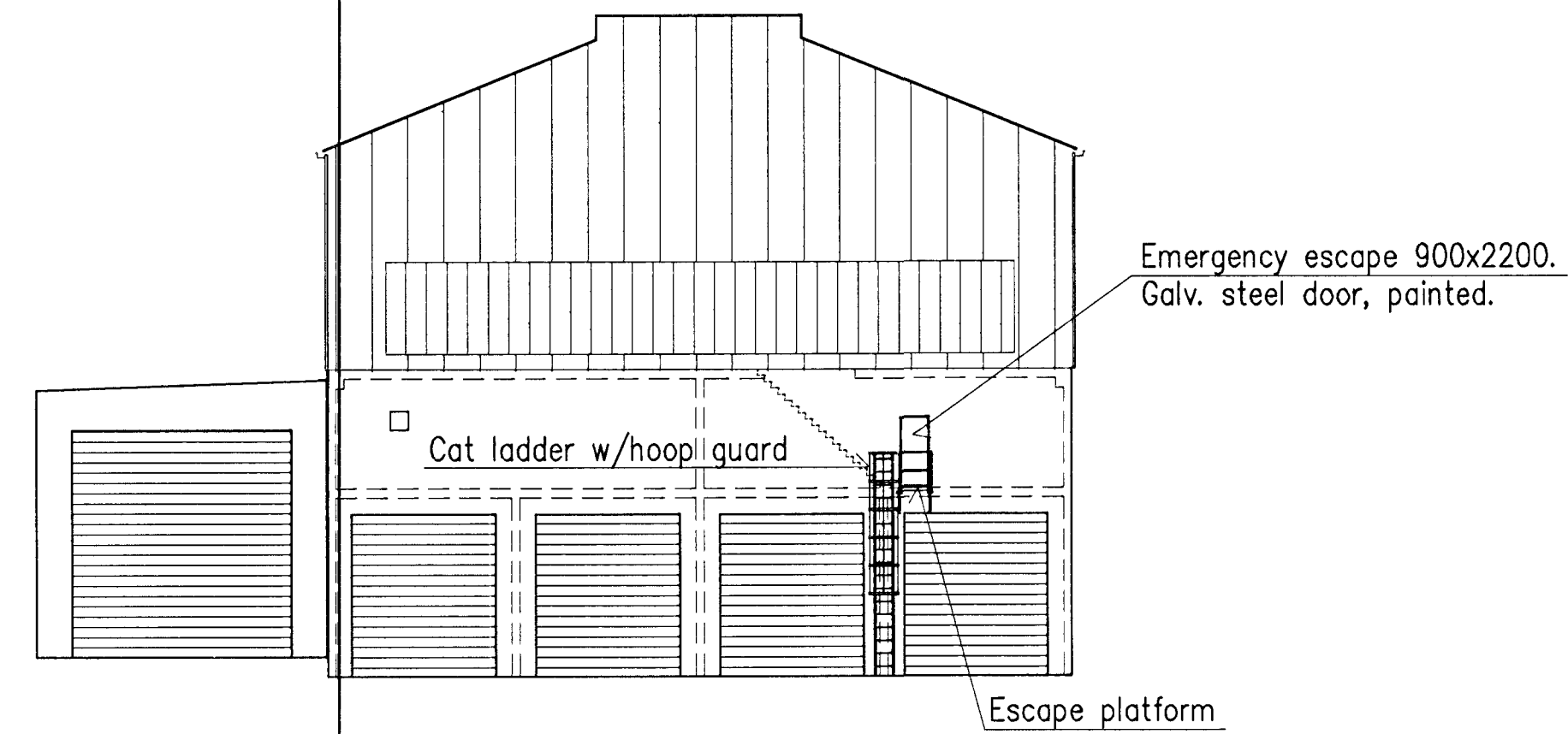


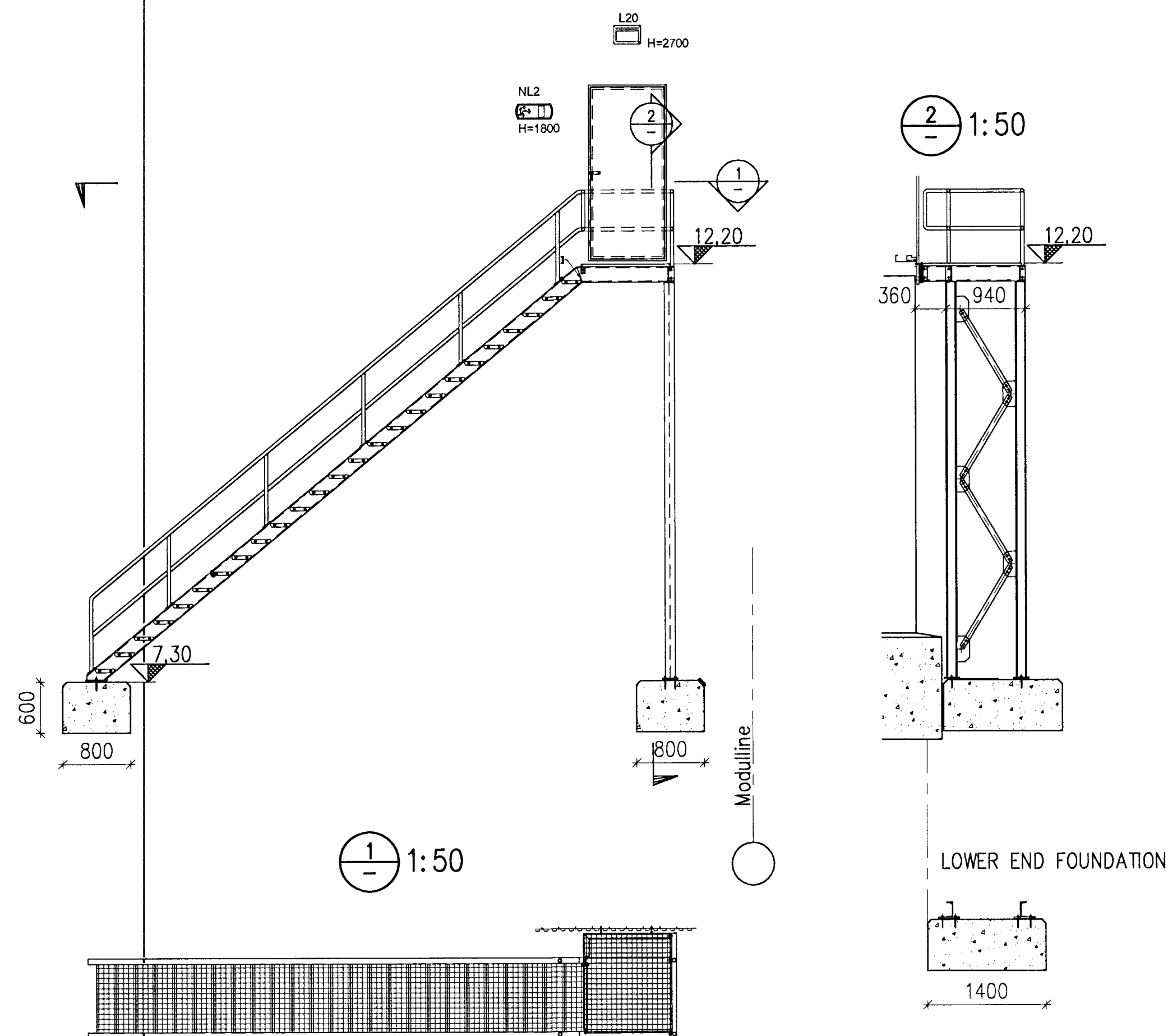
EXISTING STAIRCASE – SOUTH SIDE VIEW, 1:200



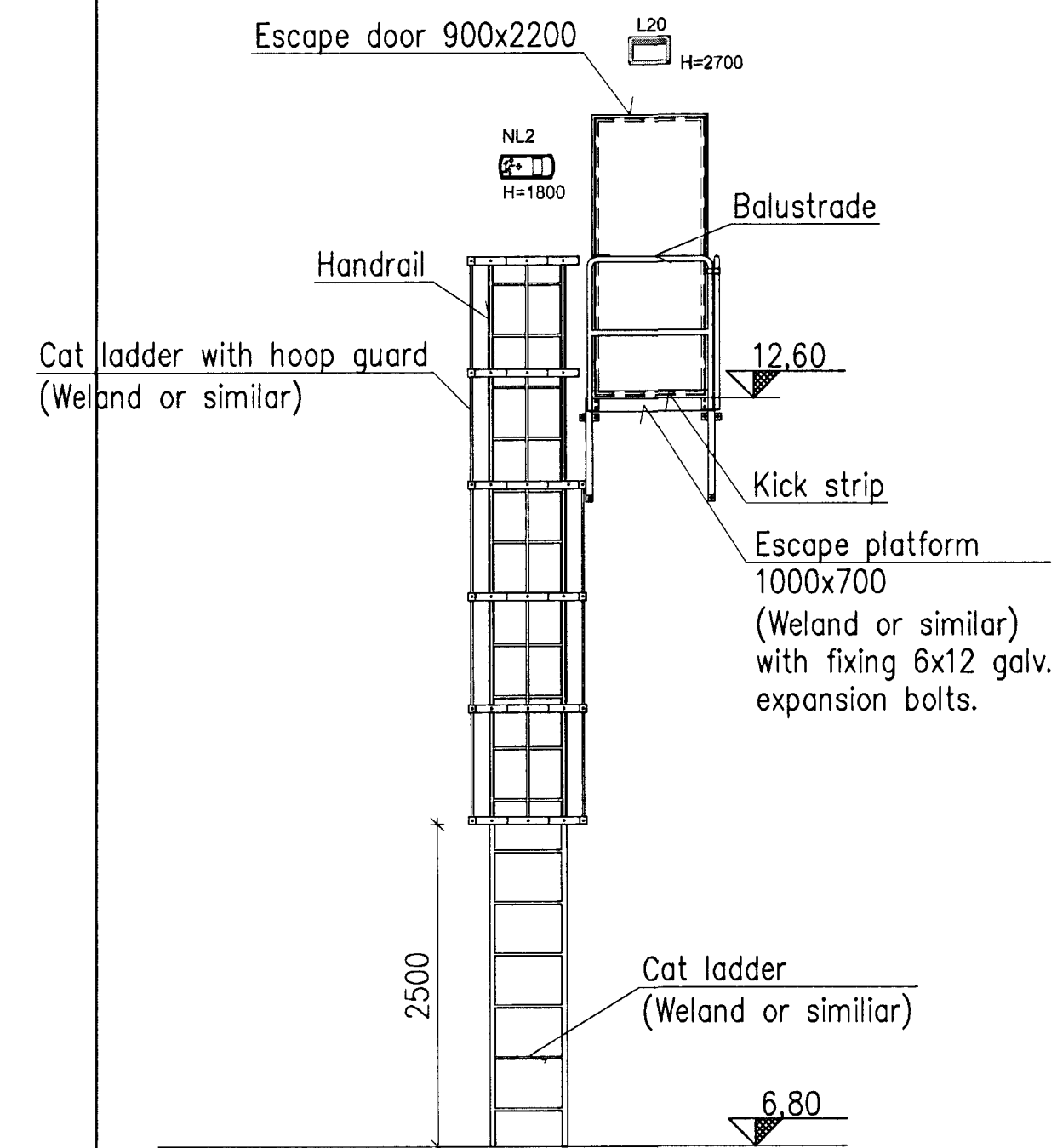
NEW LOCATION OF STAIRCASE – EAST GABLE VIEW, 1:200



EXTERNAL STAIRCASE AND DOOR, 1:50

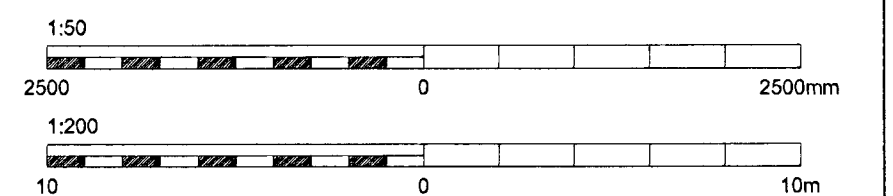


EMERGENCY ESCAPE LADDER AND DOOR, 1:50



Sambýkt þann
01 OCT 2012
Byggingafulltrúinn / Hafiðarfi
F.h. Sigurður Steinar Jóhannsson

Nick Indriðason
Kt. 181144-3949
NI



Skýringar
Legend:

- L20 THORLUX PASSLIGHT PL 6281, 70W SON/E 230V 50HZ WALL MOUNTED LUMINARIES WITH DOWNWARD LIGHT DISTRIBUTION. ALUMINUM BODY IP65 AND POLYCARBONATE COVER.
- NL2 EMERGENCY LIGHT SELFCONTAINED EMERGENCY LUMINARIES 8W 230V 50HZ BATTERY UNIT FOR NONE MAINTAINED MADE 3 HOURS.

6	Record drawing	2012.09.12	NI	NI	AK	reka
Dwg nr	Description	Dagsetning / Date	Har./Tm Des./Dw	Yfir Old	Notk heim Suppl Rel	Notk heim ISAL Rel

This drawing is the property of Rio Tinto Alcan Iceland Ltd and handed out for personal use only. It may neither be copied nor made available to others without permission of Rio Tinto Alcan Iceland Ltd. The receiver is liable for any misuse.

Blátt: A1 Mkv.: 1:50/200
Fátt: Dimensions without tolerances according to ISO 2768-1 medium.



Dagsetning / Date	2011.02.04
Hannað / Designed	NI
Teikn / Drawn	LDB
Verktaki / Supplier	HRV
Teikn.nr.verktaka / Supplier drw.no	IDP-410-ZA-015-311
Sambýkt / Approved	NI
Yfir / Chkd	HS
Hluti af: / Part of:	

IPU410-RECTIFIER BUILDINGS		Flokkur nr.:	Bláð nr.:	Næsta bl. nr.:
B5/S2		Kostn.nr.-Cono. / Bón.nr.-Eq.no		
RELOCATION OF STAIRCASE INTO POTROOM 2		4011 13982		
STRUCUTURAL STEEL		AKS		
UB12		ISAL		
RioTintoAlcan		251362		
ISAL Yfirbúð og skráð, dags / ISAL Checked, date		ISAL Sambýkt, dags / ISAL Approved, date		