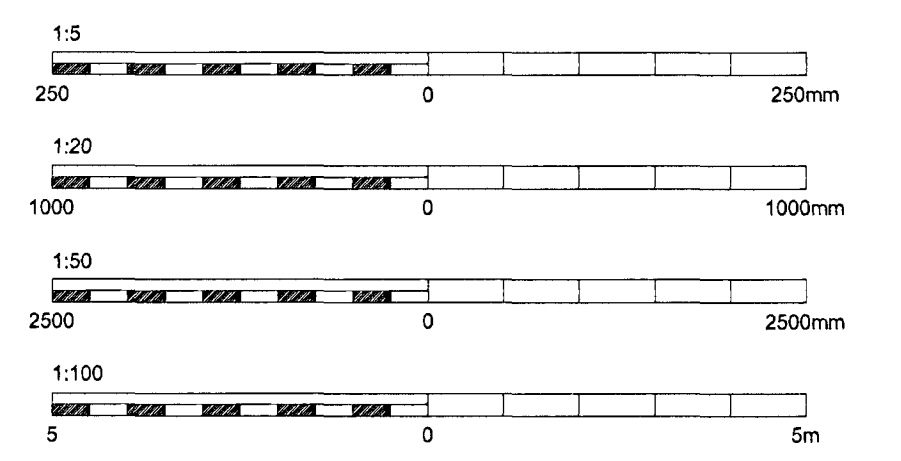
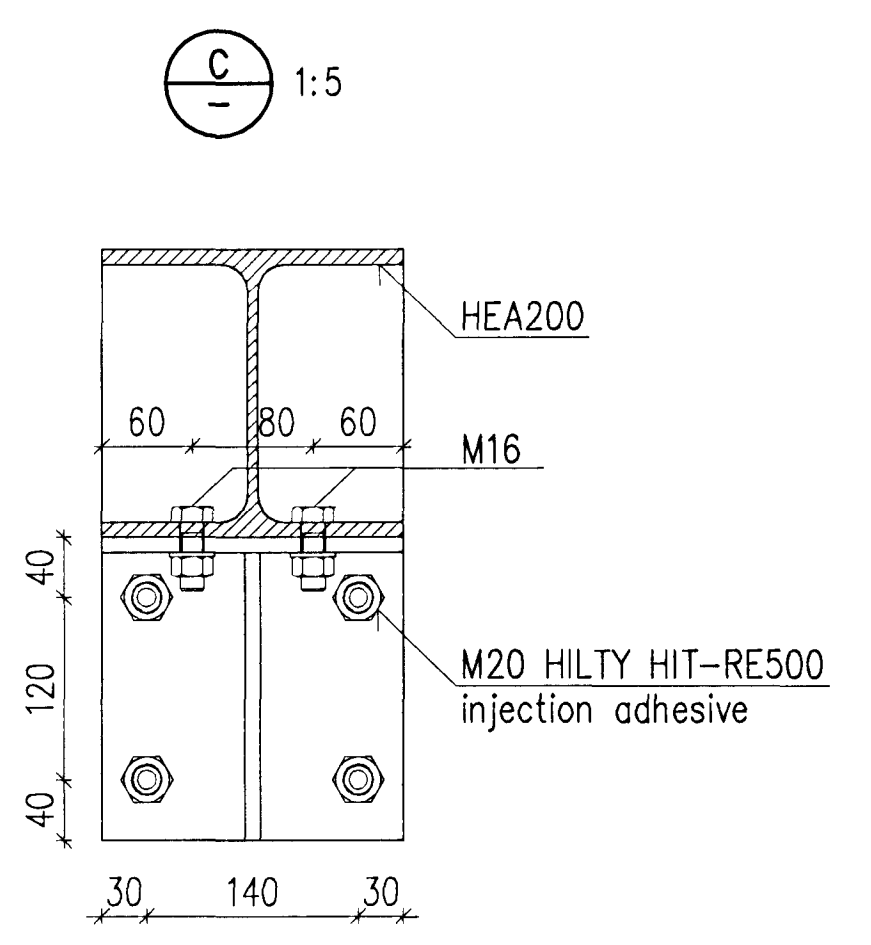
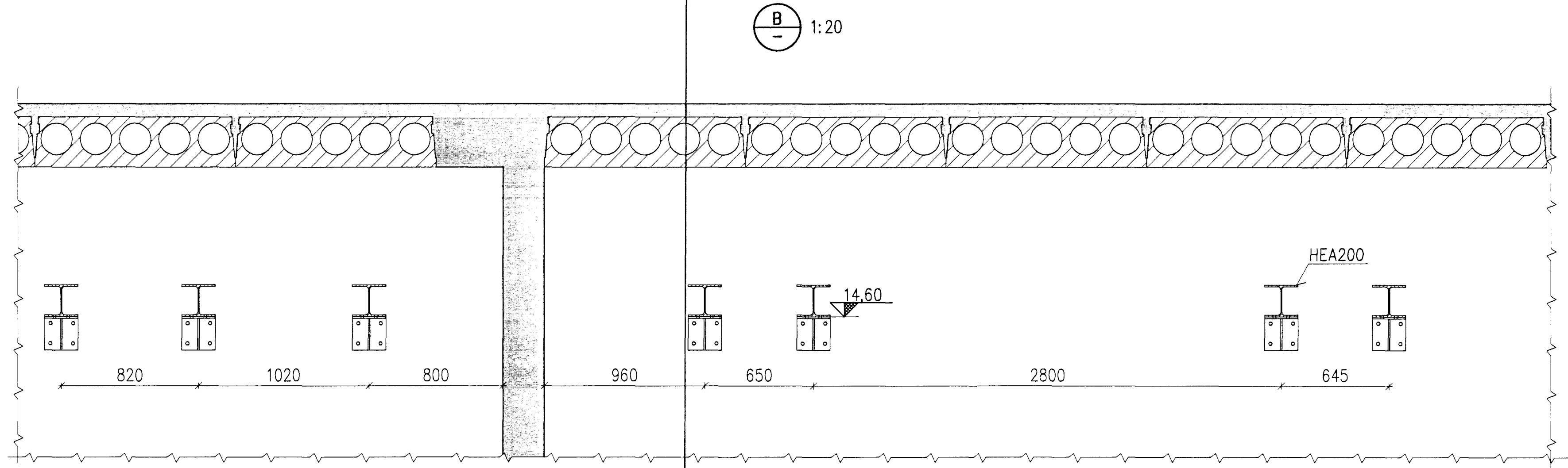
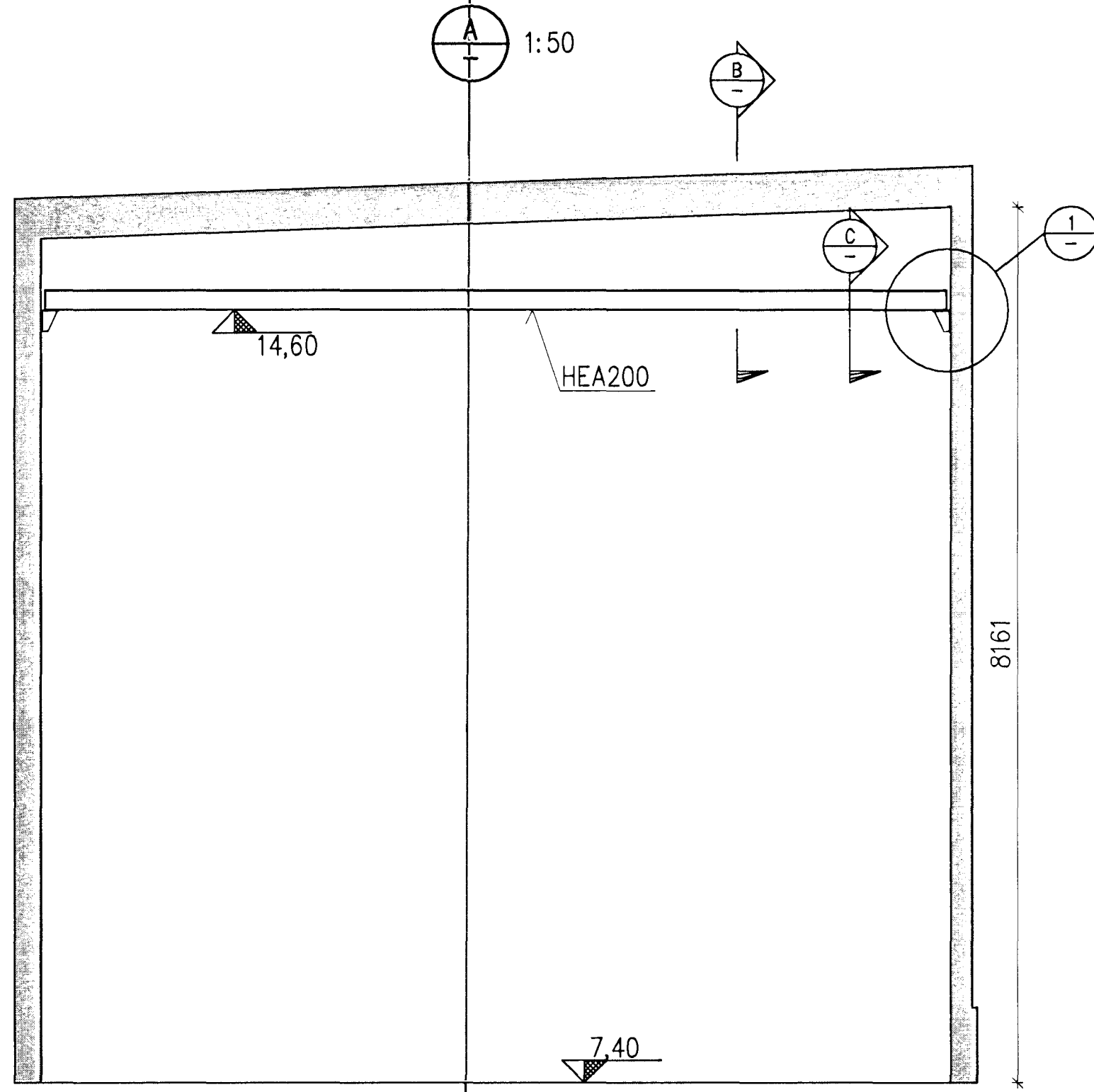


Sampykkt þann
 01 OCT 2012
 Byggingafrútrúnn í Hafnarvík
 F.h. Sigurður Steinar Jónsson

Níli Indriðason
 Kt. 181144-3949
 NI



Skýringar Legend:

Max weight on each beam	
4xBusbars:	1400kg
2xIsolators:	620kg
4xSupports self weight:	100kg
	2120kg
Beam self weight:	340kg

Dtg nr	Rev no	Lýsing Description	Dagsetning Date	Hop/Tin Des/Drw	Yfir Ckd	Notk heim Suppl Rel	Notk heim ISAL Rel
2		Record drawing	2012.09.12	NI	HS	HS	HS

This drawing is the property of Rio Tinto Alcan Iceland Ltd and handed out for personal use only. It may neither be copied nor made available to others without permission of Rio Tinto Alcan Iceland Ltd. The receiver is liable for any misuse.	
Sheet: A1	Max. Scale: 1:5/20/50/100
Dimensions without tolerances according to ISO 2768-1 medium.	

Dagsetning / Date	2011.09.05
Hannað / Designed	NI
Tekn / Drawn	LDB
Verktaki / Supplier	HRV
Tekn.nr.verktaka / Supplier drw.no	IDP-410-ZA-015-305
Samþykkt / Approved	NI
Yfir / Ckd	HS
Flutti af / Part of	

IPU410-RECTIFIER BUILDINGS		Flokkur nr.:	Blöð nr.:	Nasta bl.nr.:
B5/S2		Kostn.nr.-Cena. / Búna.nr.-Eq.no	4011	13982
BUSBAR SUPPORTS IN RECTIFIER		Teg.teikningar / Dwg.type:	AKS	UB12
STRUCTURAL STEEL		Tekn.nr. ISAL / Drw.no. of ISAL	251361	Breyt./Rev. A
		ISAL Sambýkt, dags / ISAL Approval, date		