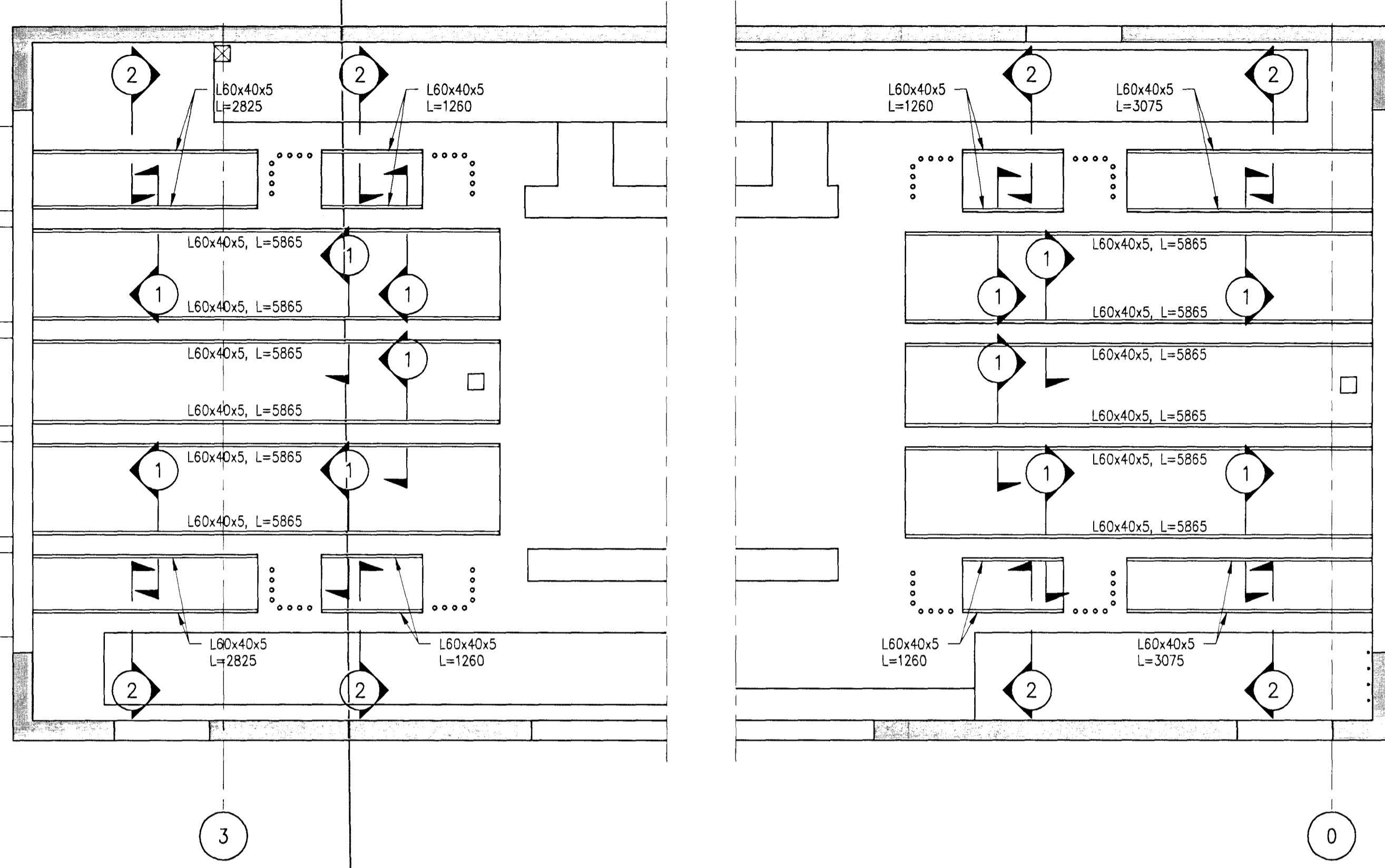
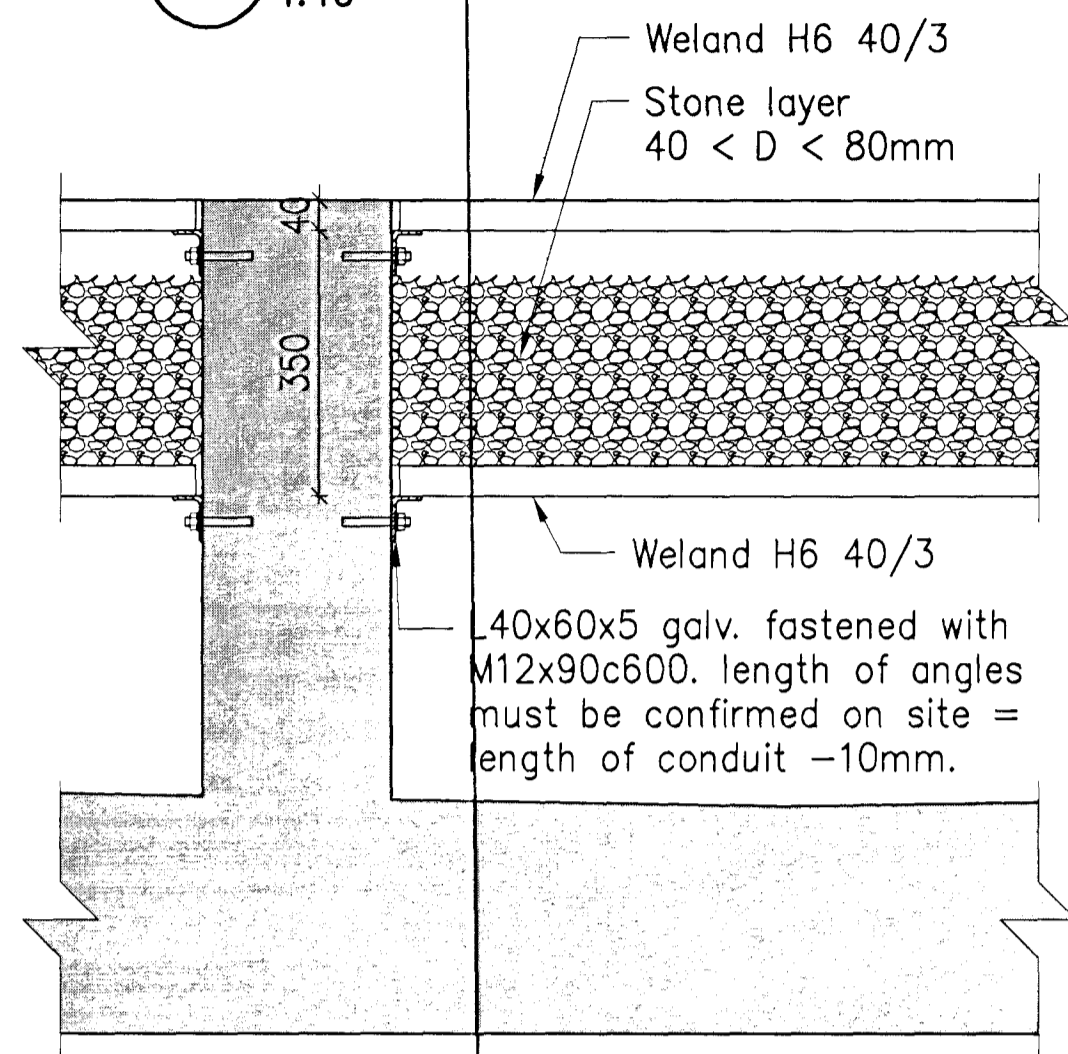


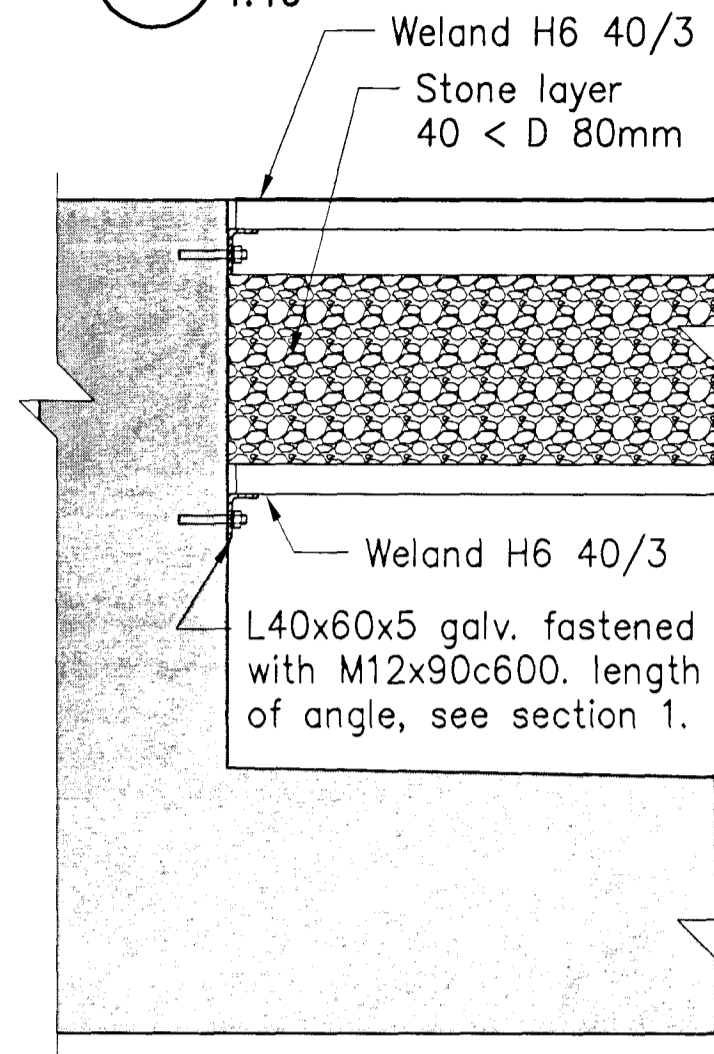
BOTTOM STEEL ANGLES, PLAN VIEW, 1:50



**1 SECTION
-
1:10**



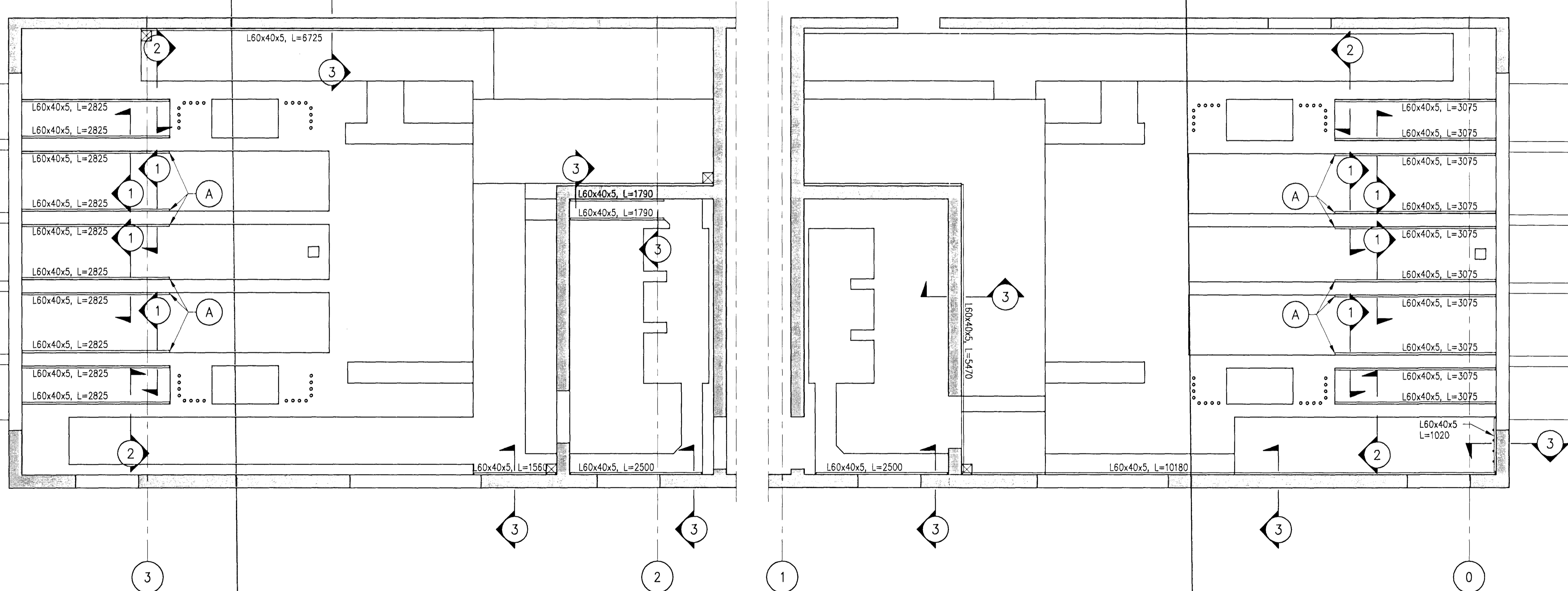
**2 SECTION
-
1:10**



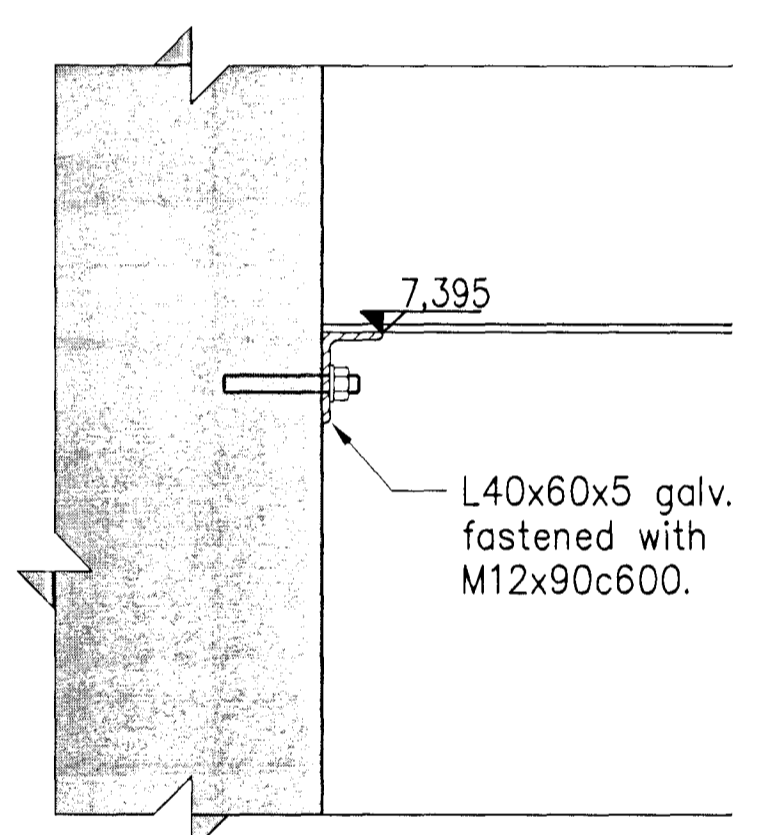
Sambýkkt þann
01 OCT 2012
Byggingafræðingur / Hofmann
Fh. Sigurður Steinar Jónsson

Níki Indriðason
Kt. 181144-3949
NI

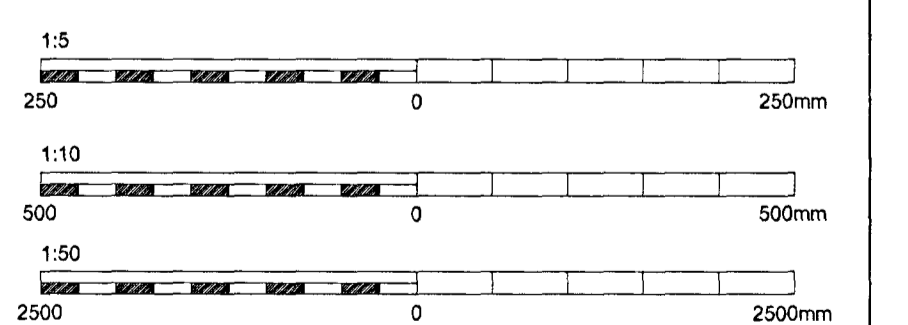
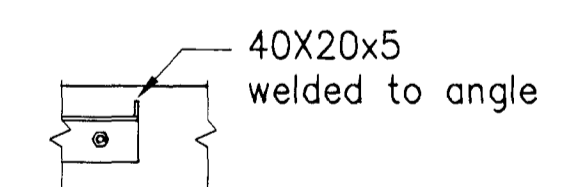
TOP STEEL ANGLES, PLAN VIEW, 1:50



**3 SECTION
-
1:5**



**A DETAIL
-
1:10**



Skýringar: Legend: Steel: S235 Bolts: 8.8 All grating, support angles, beams and anchorbolts to be hot dip galvanized, min 80µ. Grating: Weland H6 40/3 Mesh size 34x75. Dimensions shall be determined onsite.	GENERAL NOTES		This drawing is the property of Rio Tinto Alcan Iceland Ltd. It is loaned out for personal use only. It may neither be copied nor made available to others without permission of Rio Tinto Alcan Iceland Ltd. The receiver is liable for any misuse.				HRV HATCH REAL PRODUCTION OPERATOR		Dagsetning / Date: 2011.07.29 Hannab / Designed: IAJ Tekn / Drawn: IAJ Verktaki / Supplier: HRV Tekn.nr./veiktaka / Supplier drw.no: IDP-410-ZA-015-301 Samþykkt / Approved: NI Hluti af / Part of:		IPU410-RECTIFIER BUILDINGS B5/S2, FLOOR GRATING BOLTED ANGLES, PLAN VIEWS AND SECTIONS STRUCTURAL STEEL RioTinto Alcan ISAL Yfirbær og skráð, dógs / ISAL Checked, date: ISAL Sambýkkt, dógs / ISAL Approval, date:		Flokkur nr.: Blað nr.: Næsta blinn.: Kostn.nr.-Ceno. / Búh.nr.-Egno: 4011 13982 AKS UB12 ISAL Tekn.nr. ISAL / Drw.no. of ISAL: 251360 Breyt./Rev.: A	
	3 Record drawing 2012.09.12 IAJ NI 2012.09.12 IAJ NI 2012.09.12 IAJ NI			Mkv: 1:5,10,50 Scale: 1:5,10,50 Dimensions without tolerances according to ISO 2768-M medium.		ISAL		ISAL		ISAL		ISAL		