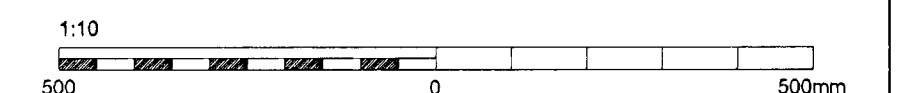
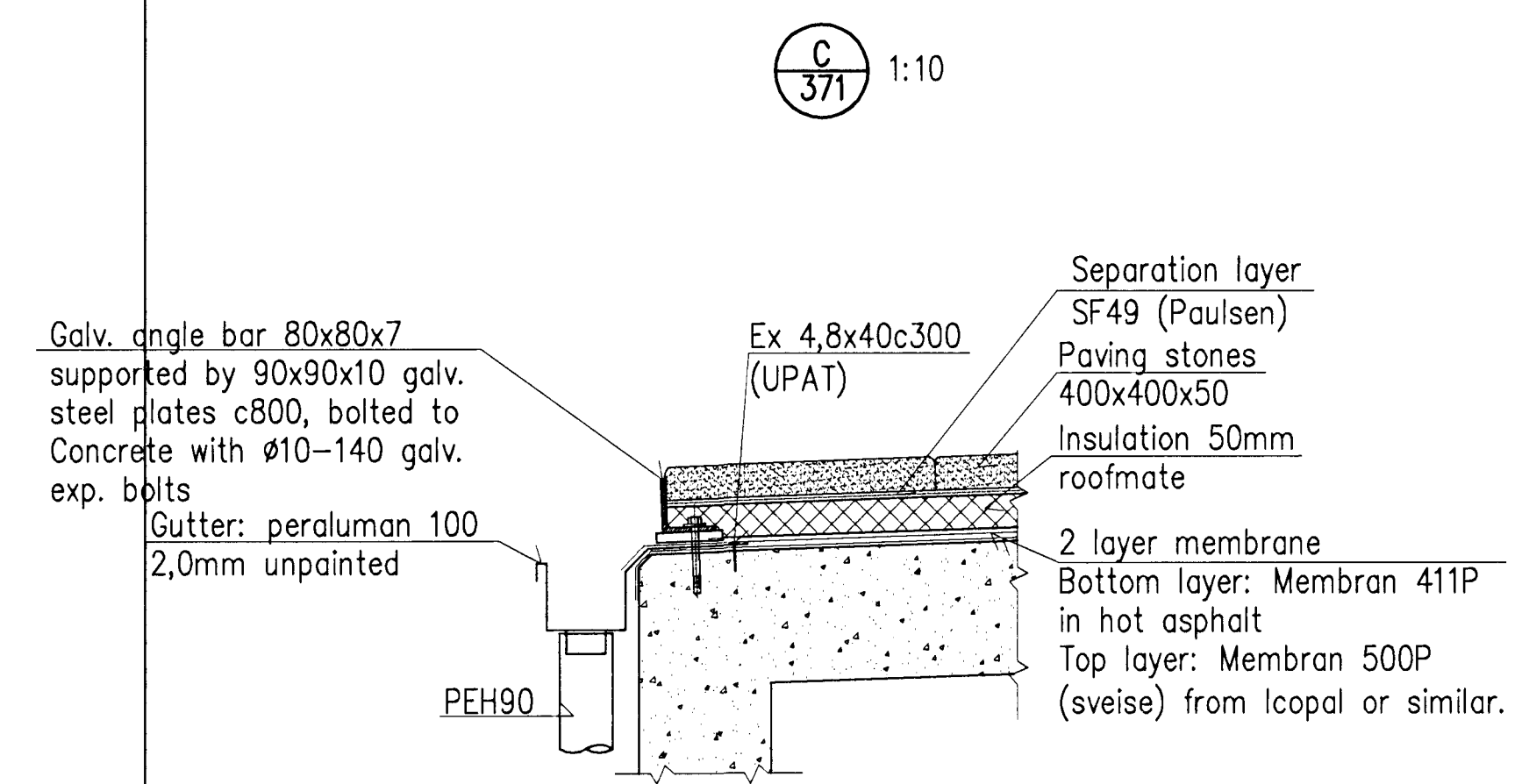
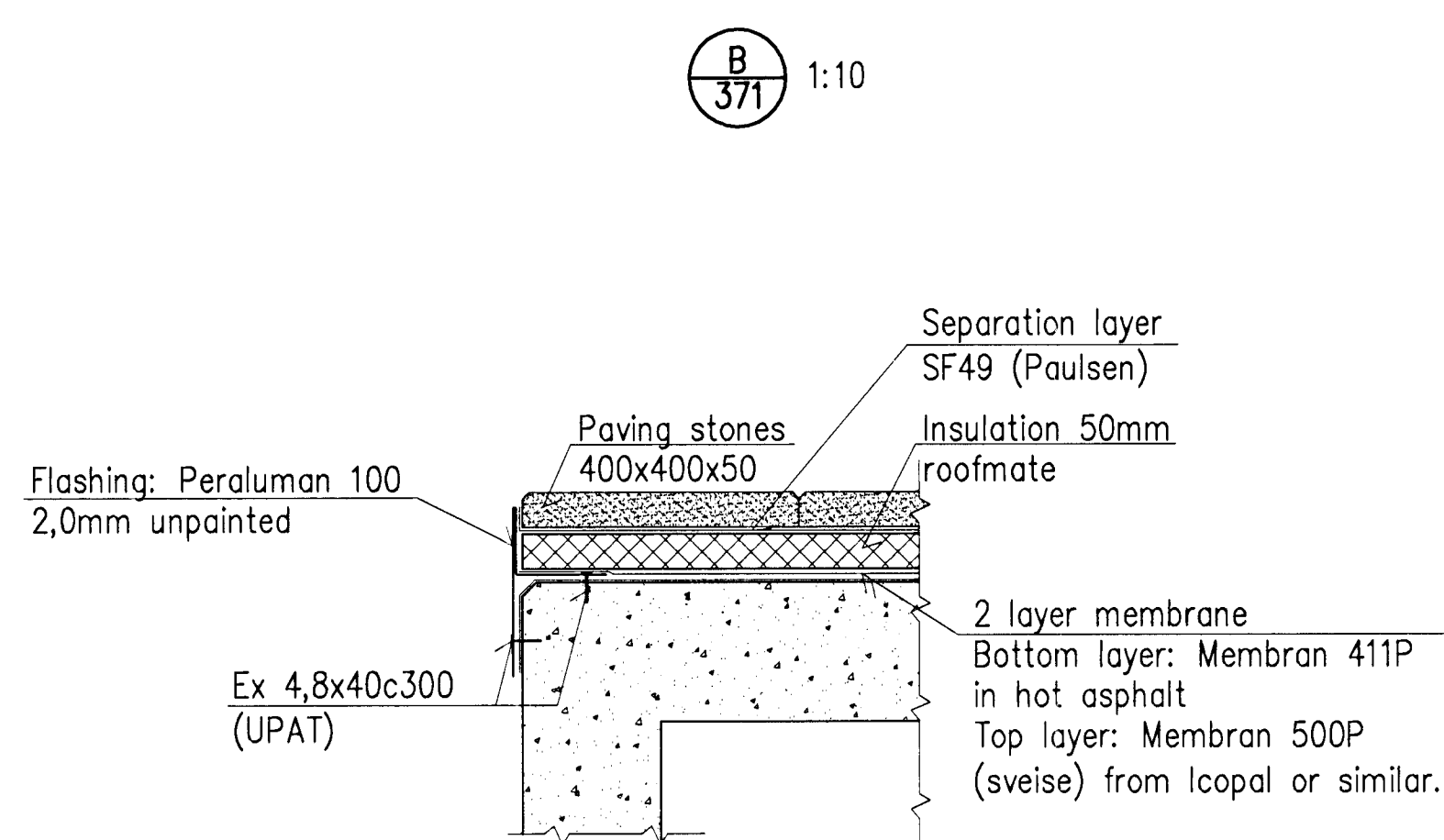
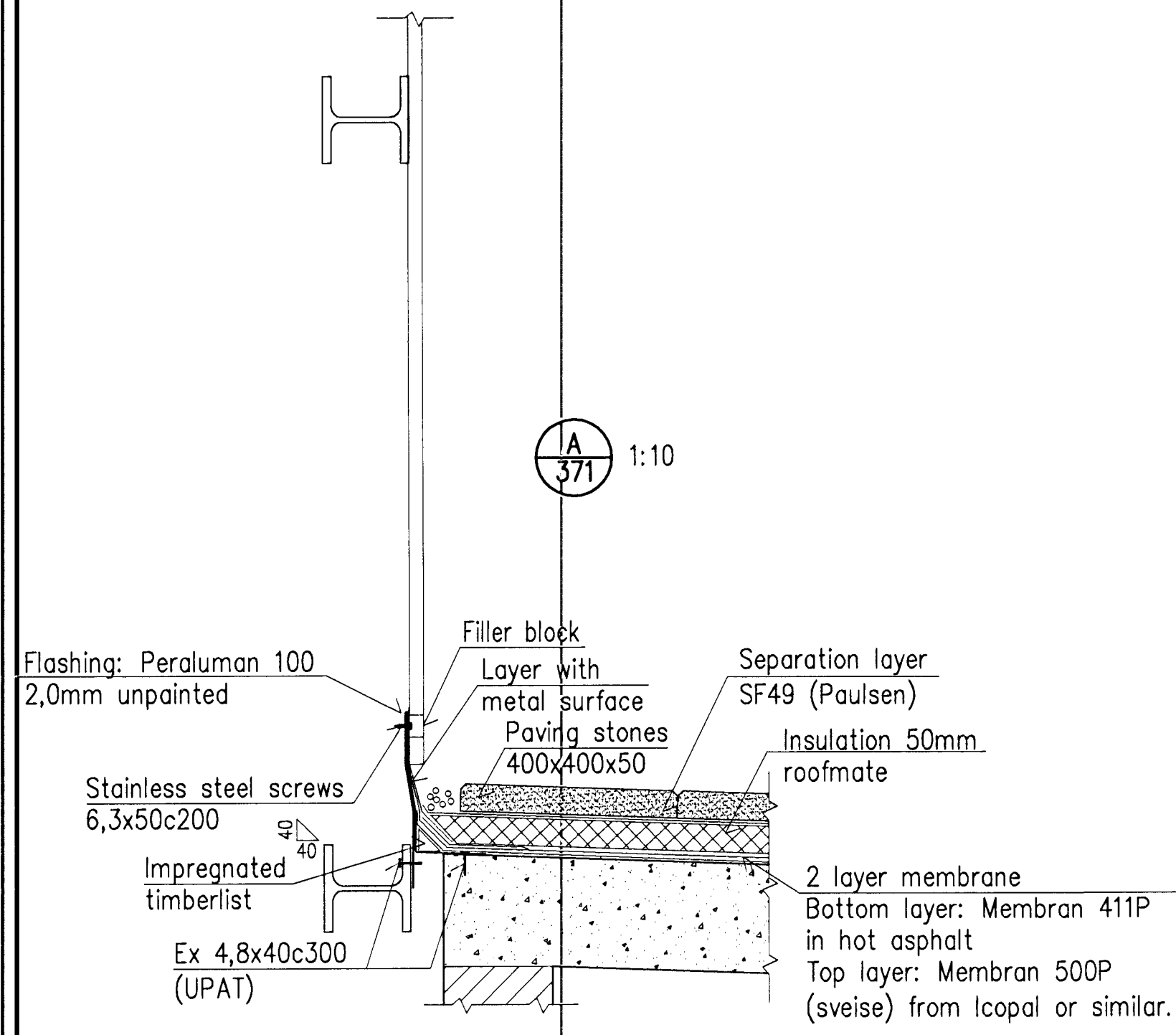


Níli Indriðsson
 Kt. 181144-3949
 NI



Skýringar:
 Legend:

Ítg. nr. Rev. no.	Lýsing Description	Dagsetning Date	Har./Ún. Des./Dra.	Yfir Dkd.	Notk. heim. Suppl. Ref.	Notk. heim. ISAL Ref.
12	Record drawing	2012.09.12	GMG	NI	NI	NI

This drawing is the property of Rio Tinto Alcan Iceland Ltd. and handed out for personal use only. It may neither be copied nor made available to others without permission of Rio Tinto Alcan Iceland Ltd. The receiver is liable for any misuse.

Scale: 1:10
 Dimensions without tolerances according to ISO 2768-1 medium



Dagsetning / Date 2011.02.21	Hannað / Designed CMG	Tekin / Drawn GMG
Verktaki / Supplier HRV	Tekn.nr. verktaka / Supplier drw.no. IDP-410-CA-015-389	Samþykkt / Approved NI
Hluti af. / Part of:	Yfir / Ökld. NI	

IPU 410 - RECTIFIER BUILDINGS
 INTAKE BUILDINGS PL 2 & 3
 ROOF, SECTIONS
 BUILDING FITTOUT

RioTintoAlcan

Flokkur nr.:	Blöð nr.:	Næsta bl. nr.:
4011	16962	
Kostn.nr.-Cco. / Búnr.-Eq.no.	AXS	
UB23		
Tekn.nr. ISAL / Drw.no. of ISAL	Breyt./Rev.	
251307	A	