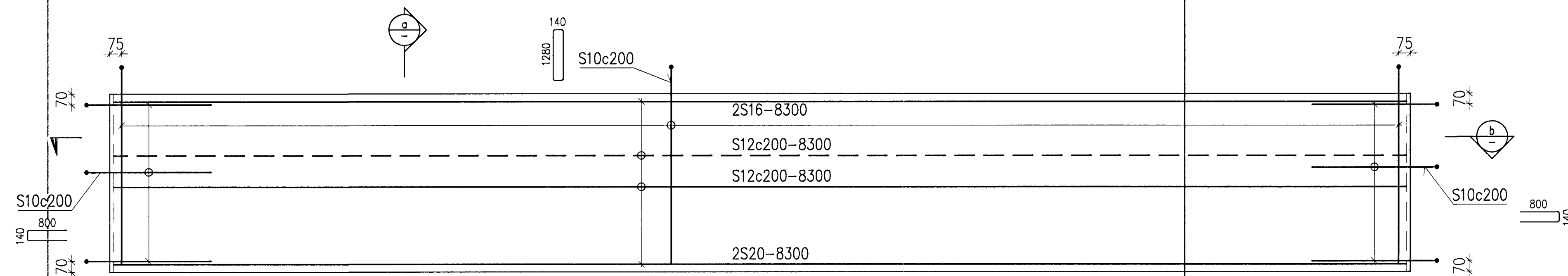
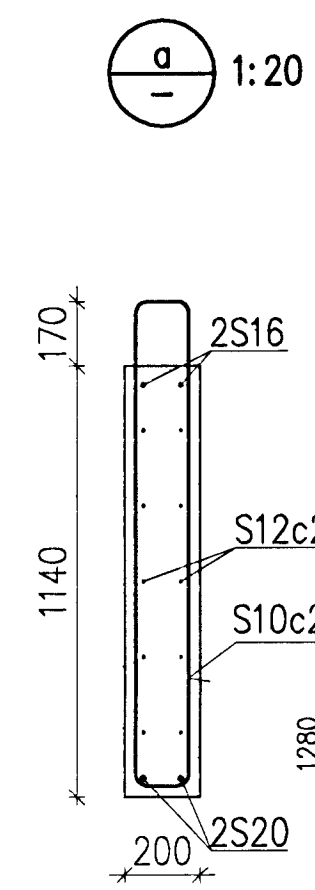
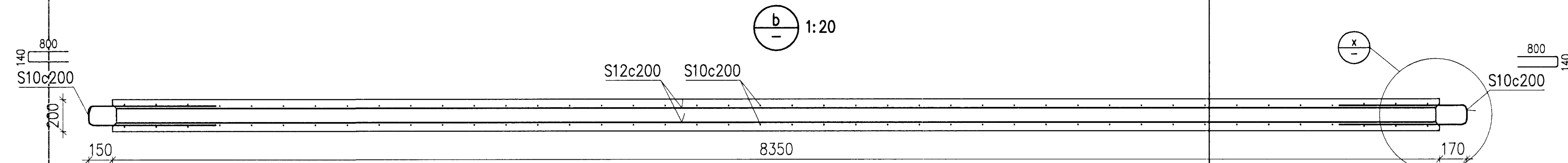


Níels Indriðarson
 Kr. 181144-3949
 NI

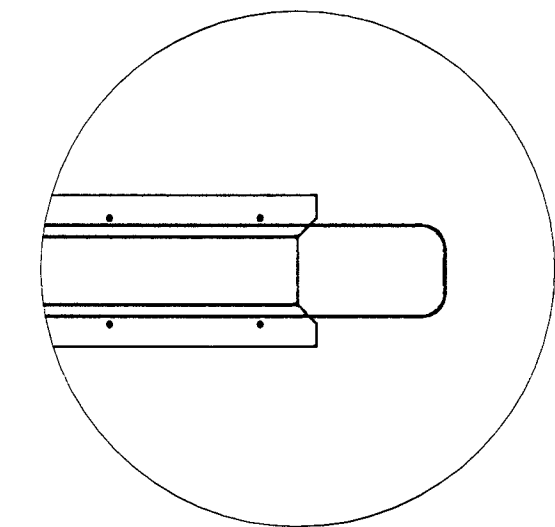
PRECAST BEAM B1, 1:20



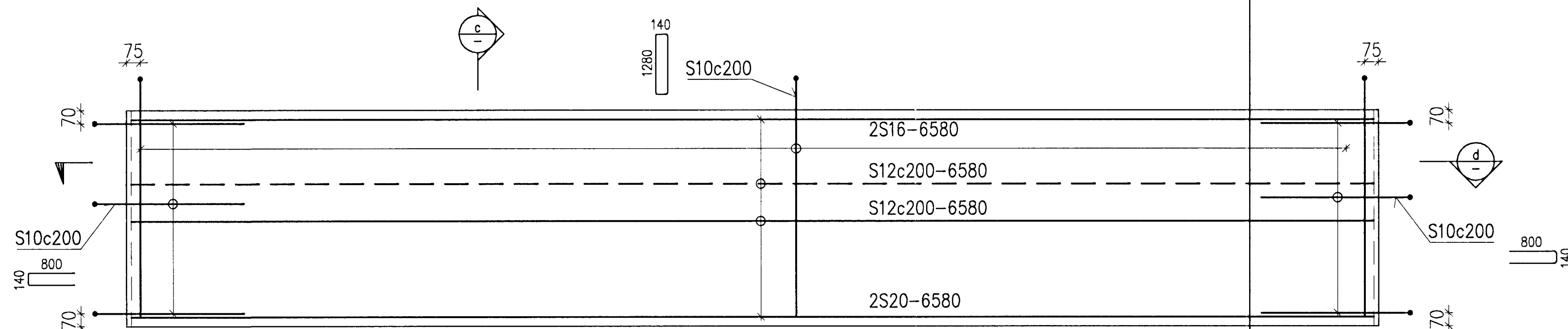
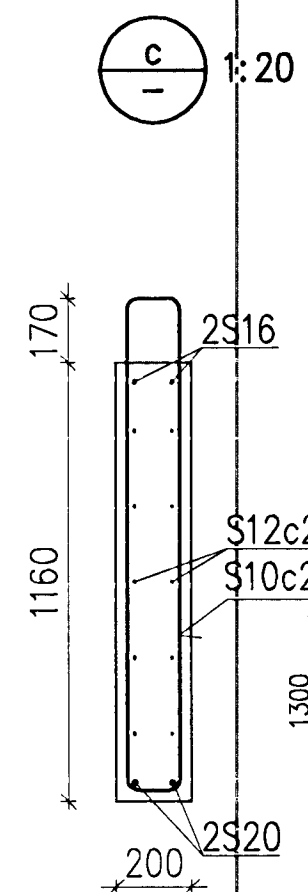
b 1:20



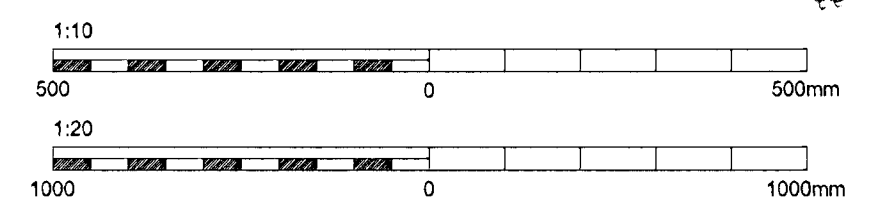
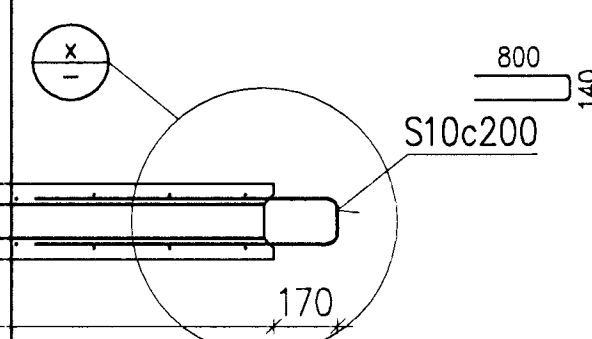
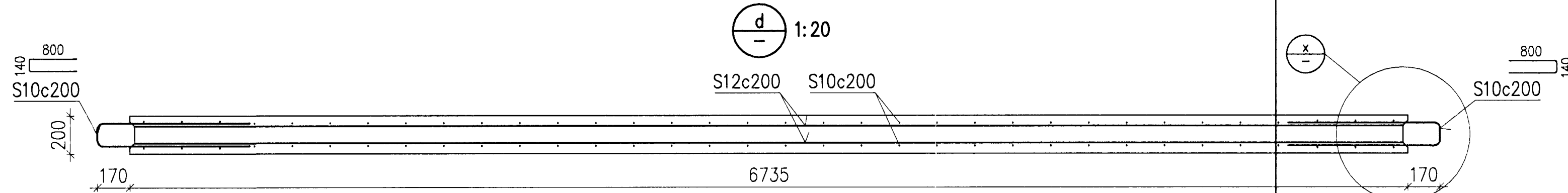
x 1:10



PRECAST BEAM B2, 1:20



d 1:20



Skýringar: Concrete: C30/37:XF3-32
 Legend:

Útg. nr. Rev. no.	Útg. / Rev. no.	Skýringar / Description	Dagsetning / Date	Gerð / Des/Drw	Yfir / Chk	Notk. heim / Suppl. Ref	Notk. heim / ISAL Ref
12		Record drawing	2012.09.12	GMG	NI		

This drawing is the property of Rio Tinto Alcan Iceland Ltd. It is loaned out for personal use only and may neither be copied nor made available to others without permission of Rio Tinto Alcan Iceland Ltd. The receiver is liable for any misuse.
 Scale: 1:10/20
 Dimensions without tolerances according to ISO 2768-1 medium.



Dagsetning / Date	2011.02.21
Hannað / Designed	GMG
Teikn / Drawn	GMG
Verktaki / Supplier	HRV
Teikn.nr.verklaka / Supplier drw.no.	IDP-410-CA-015-388
Sambýkkt / Approved	NI
Yfir / Chk	NI
Hluti af / Part of	

IPU 410 - RECTIFIER BUILDINGS
 INTAKE BUILDINGS PL 2 & 3
 DETAILS
 PRECAST ELEMENTS
RioTintoAlcan
 ISAL
 Alcan Iceland Ltd
 Straumavík
 IS-222 Hafnarfjörður
 Ísland

Flokkur nr. /	Blöð nr. /	Nasta bl. nr. /
4011		16962
Kostn.nr.-Cano. /	Bón.nr.-Eq.no	
251306		
Tekn.nr. ISAL /	Drw.no. of ISAL	Breyt./Rev.
UB23		A