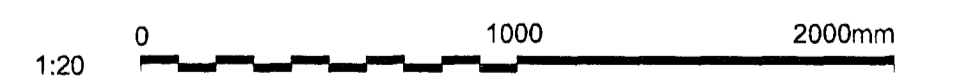
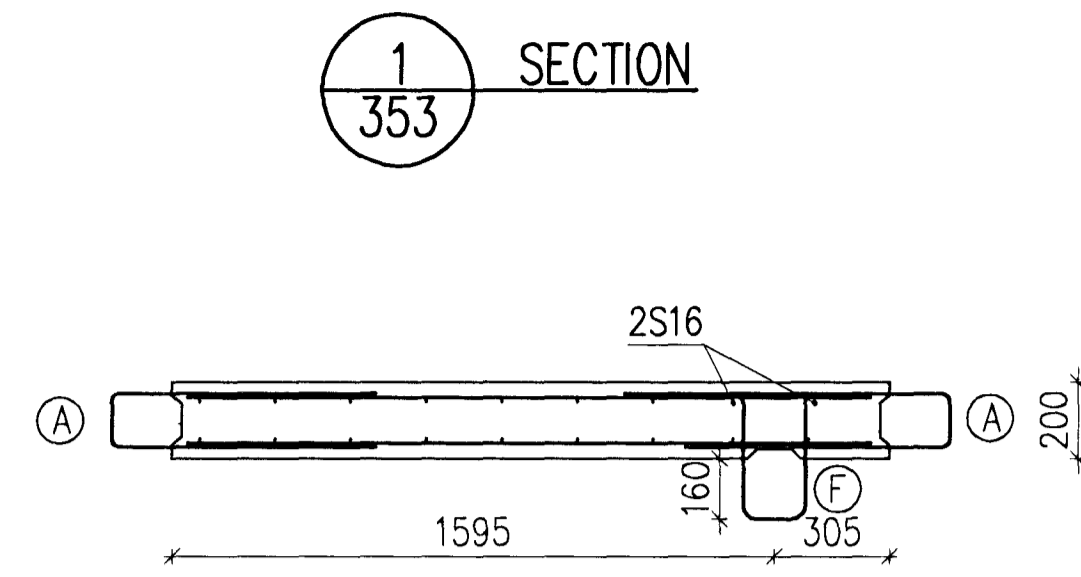
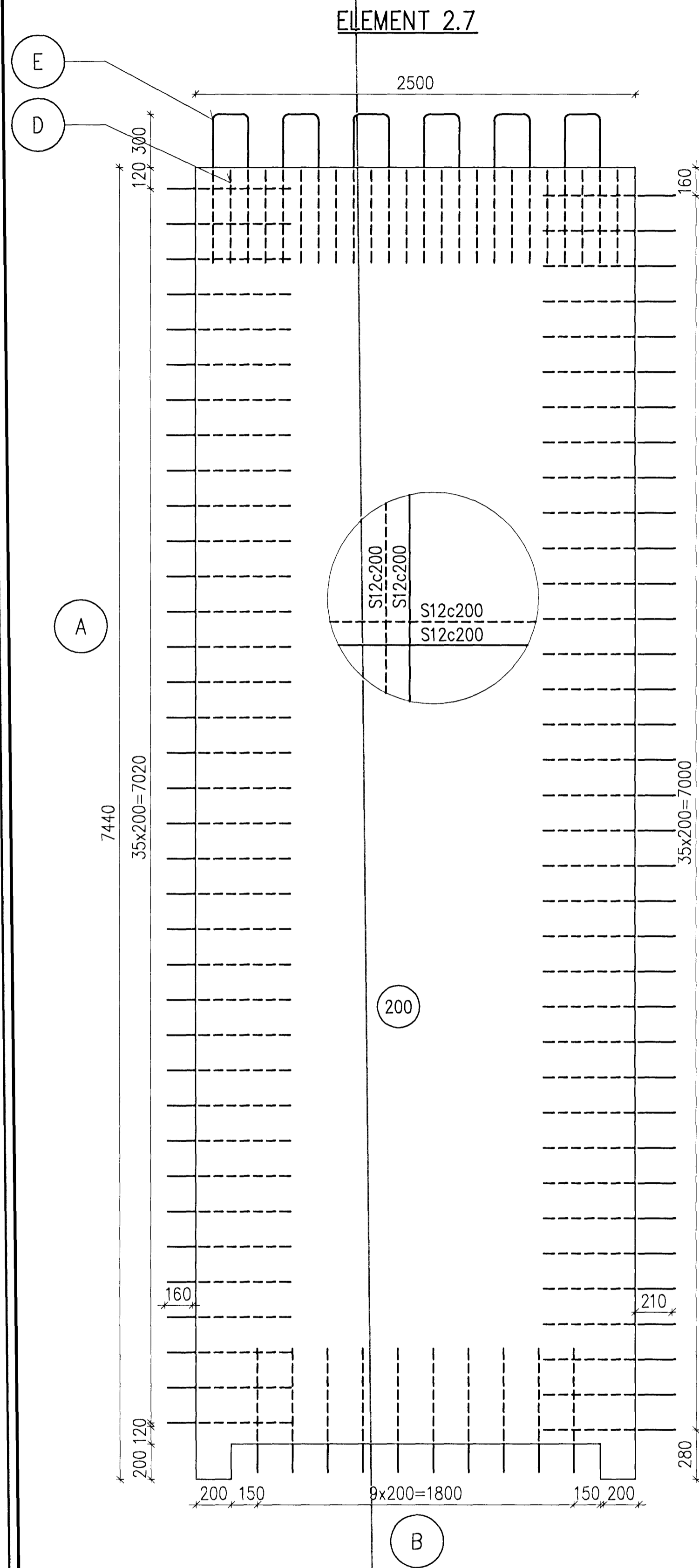


Samþykkt þann  
 01 OCT 2012  
 Byggingafulltrúinn / Hafnarfráfrí  
 F.h. Sigurður Steinar Jónsson

Níels Indriðason  
 Kt. 181144-3949  
 NI



Skýringar:  
 Legend: Stirrups details see drawing 352.

C:\DP\01 IDP-400 - Reduction\410 Substation\Drawings\Civil\DP-410-CA-015-355.dwg

2	Record drawing	2012.09.12	HS	NI	EG	MS	
Fig. nr. Rev. no.	Lýsing Description	Dagsetning Date	Har./Fr. Des./Cw	Tífr. Old	Nota heim. Suppl. Ref.	Nota heim. ISAL Ref.	

This drawing is the property of Rio Tinto Alcan Iceland Ltd. and is loaned out for personal use only. It may neither be copied nor made available to others without permission of Rio Tinto Alcan Iceland Ltd. The receiver is liable for any misuse.	
	Dagsetning / Date: 2011.03.07 Höfundur / Designed: HS Tækn. / Drawn: AFV Verktaki / Supplier: HRV Tækn. / Verktaki / Supplier: HRV IDP-410-CA-015-355 Tífr. / Chkd: NI

IPU 410 - RECTIFIER BUILDINGS B5/S2 PRECAST ELEMENT		Flakur nr.: 4011	Blað nr.: 13982	Næsta bl. nr.: UB12
REINFORCEMENT		Rio Tinto Alcan ISAL Alcan Iceland Ltd Straumsvík IS-222 Hafnarfjörður Ísland		
Tekn. nr. / Drw. no. of ISAL: 251298		Breyt./Rev.: A		