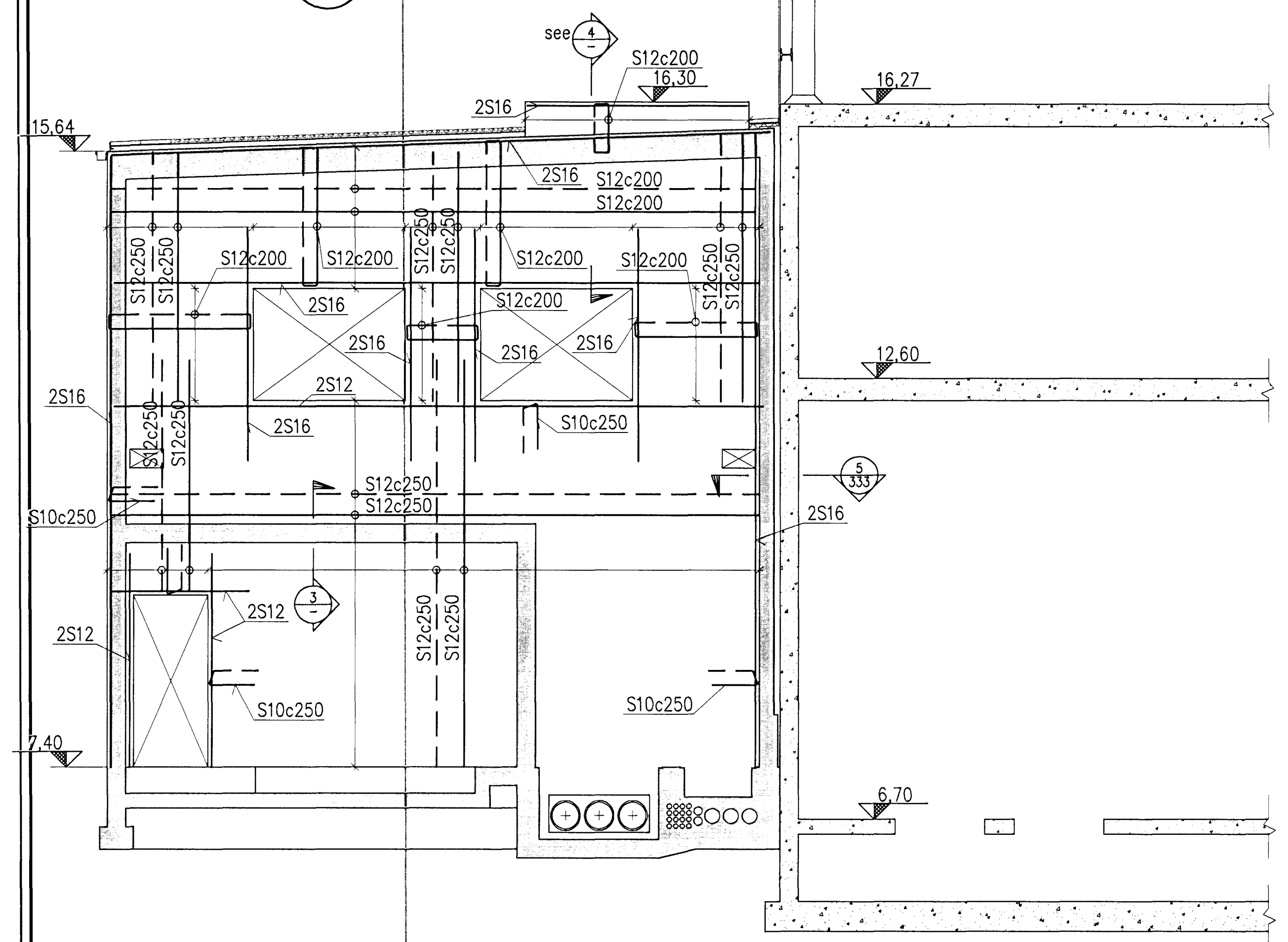
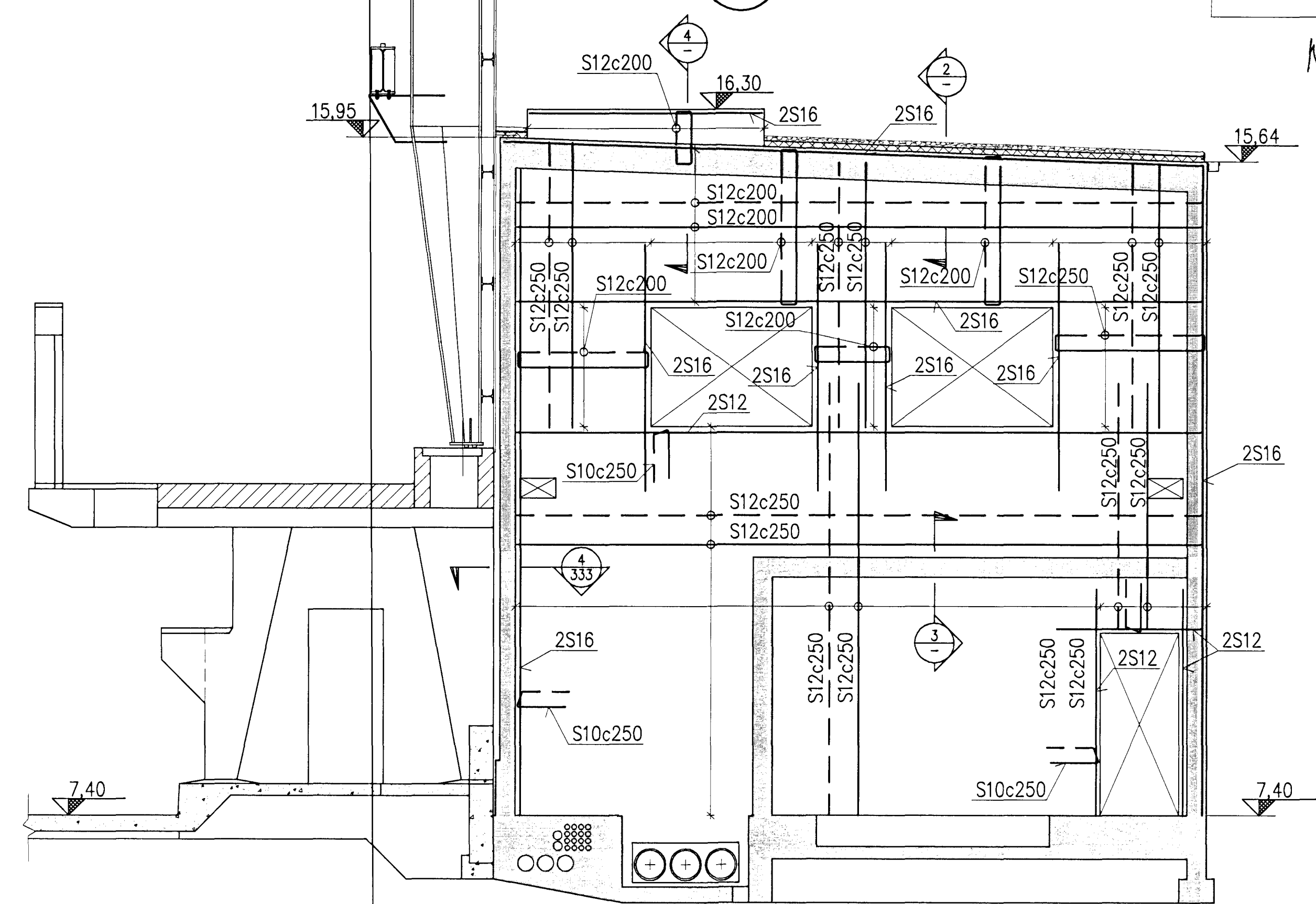


Níels Indriðason  
 Kt. 181144-3949  
 WI

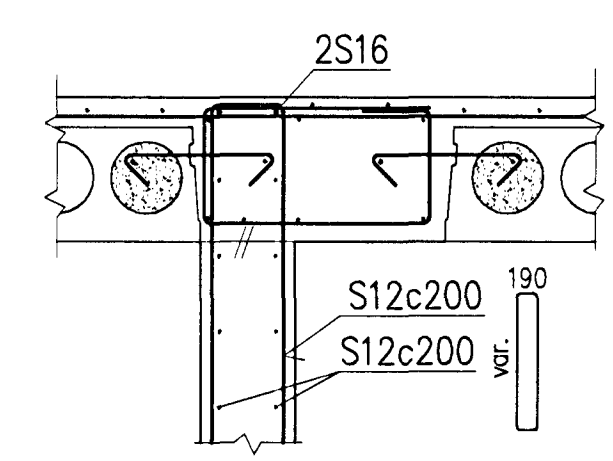
E SECTION, 1:50  
 331



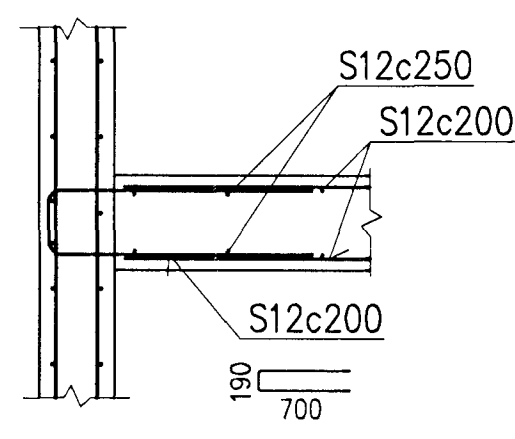
F SECTION, 1:50  
 331



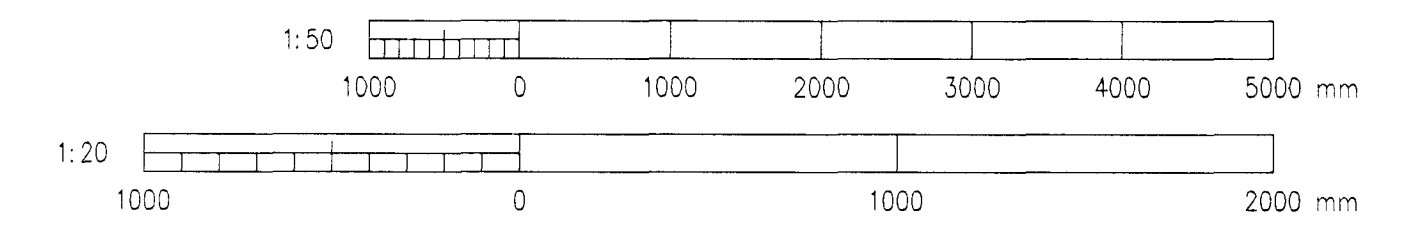
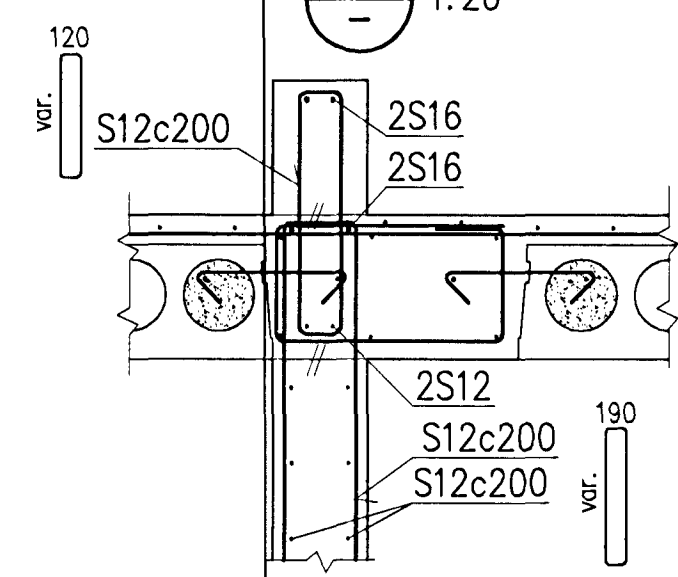
2 1:20



3 1:20



4 1:20



Skýringar Legend: CONCRETE: C30/37; XF3-32

4	Record drawing	2012.09.12	HS	NI	EG	MS														
---	----------------	------------	----	----	----	----	--	--	--	--	--	--	--	--	--	--	--	--	--	--

This drawing is the property of Rio Tinto Alcan Iceland Ltd. and handed out for personal use only. It may neither be copied nor made available to others without permission of Rio Tinto Alcan Iceland Ltd. The receiver is liable for any misuse.

Start Form: A1  
 Scale: 1:20, 1:50  
 Dimensions without tolerances according to ISO 2768-1 medium.

**HRV HATCH**  
 JOINT VENTURE  
 ISAL PRODUCTION UPGRADE

Dagsetning / Date: 2011.03.07  
 Hönnuð / Designed: GMG  
 Teikn / Drawn: GMG  
 Verktaki / Supplier: HRV  
 Tekn.nr.verktaka / Supplier drw.no: IDP-410-CA-015-339  
 Samþykkt / Approved: NI  
 Hluti af: / Part of:

**RioTintoAlcan**  
 Alcan Iceland Ltd  
 Straumsvík  
 IS-222 Hafnarfjörður  
 Iceland

IPU410-RECTIFIER BUILDINGS  
 B5/S2  
 INTERIOR WALLS, SIDE VIEWS AND DETAILS  
 REINFORCEMENT

Flokkur nr.: Blað nr.: Nasta bl. nr.:  
 4011 13982  
 AKS UB12  
 Tekn.nr. ISAL / Drw.no. of ISAL: 251293  
 Breyt./Rev: A

ISAL Yfirfarið og skrifað, dags / ISAL Checked, date  
 ISAL Samþykkt, dags / ISAL Approved, date