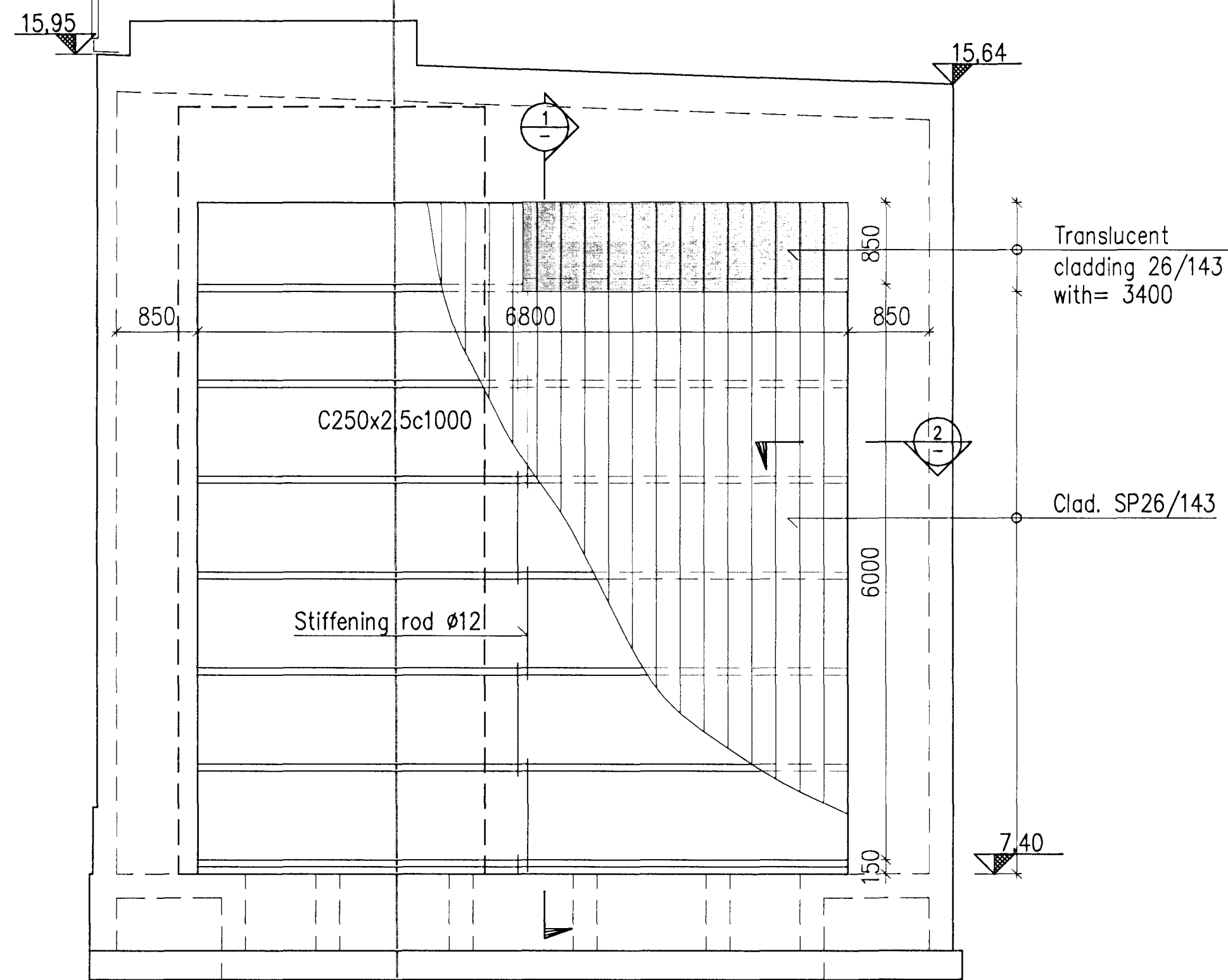
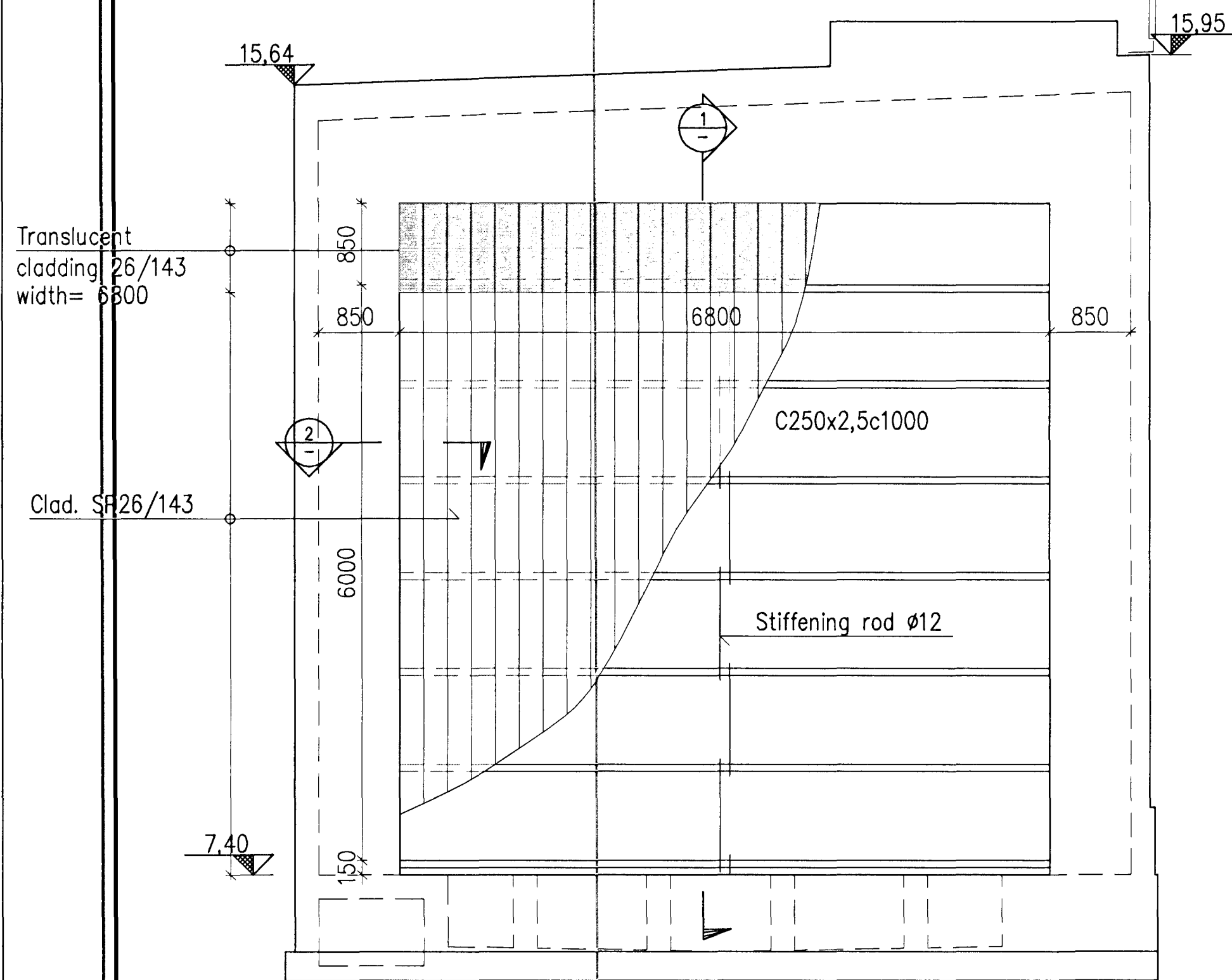


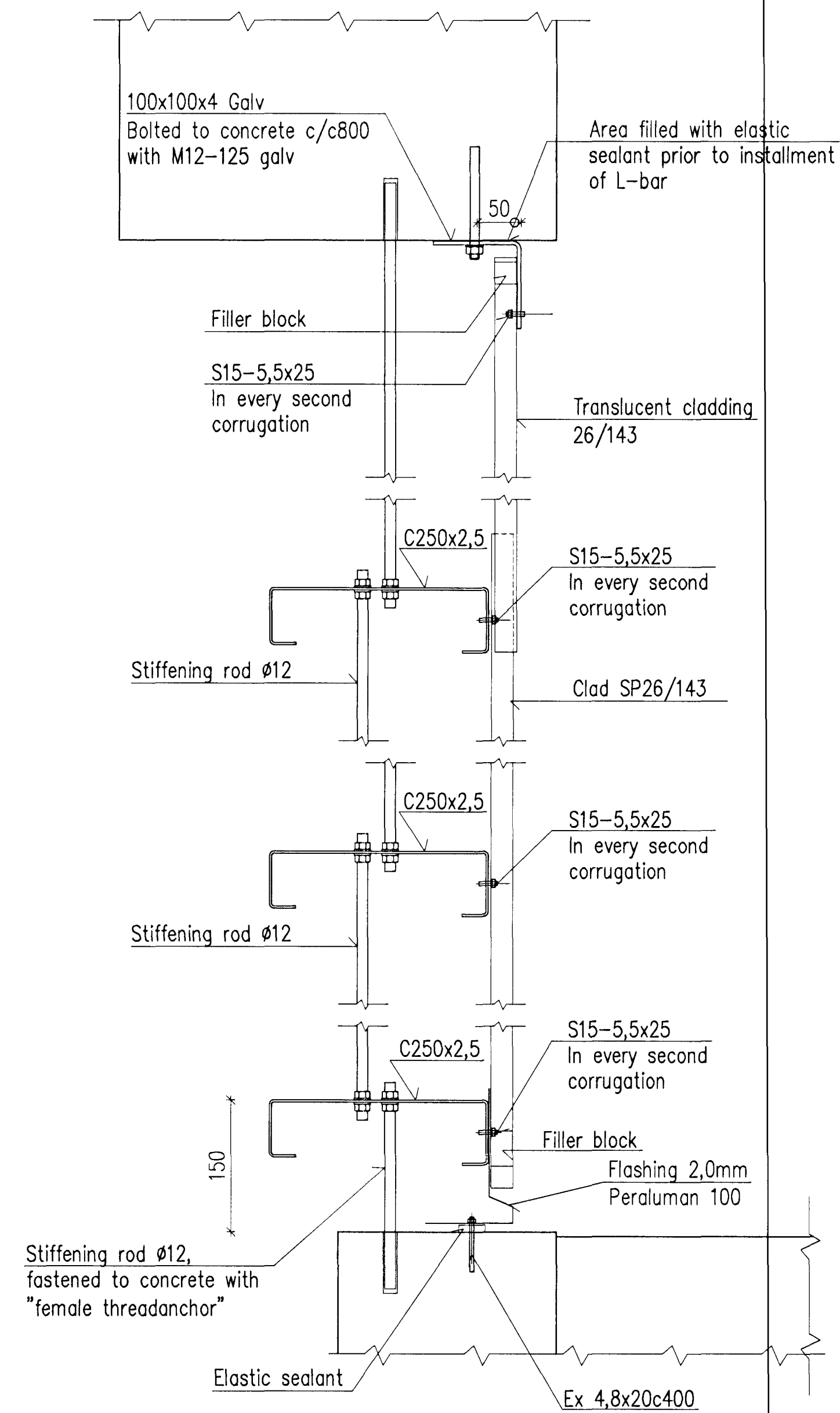
S2 FRONT VIEW, 1:50



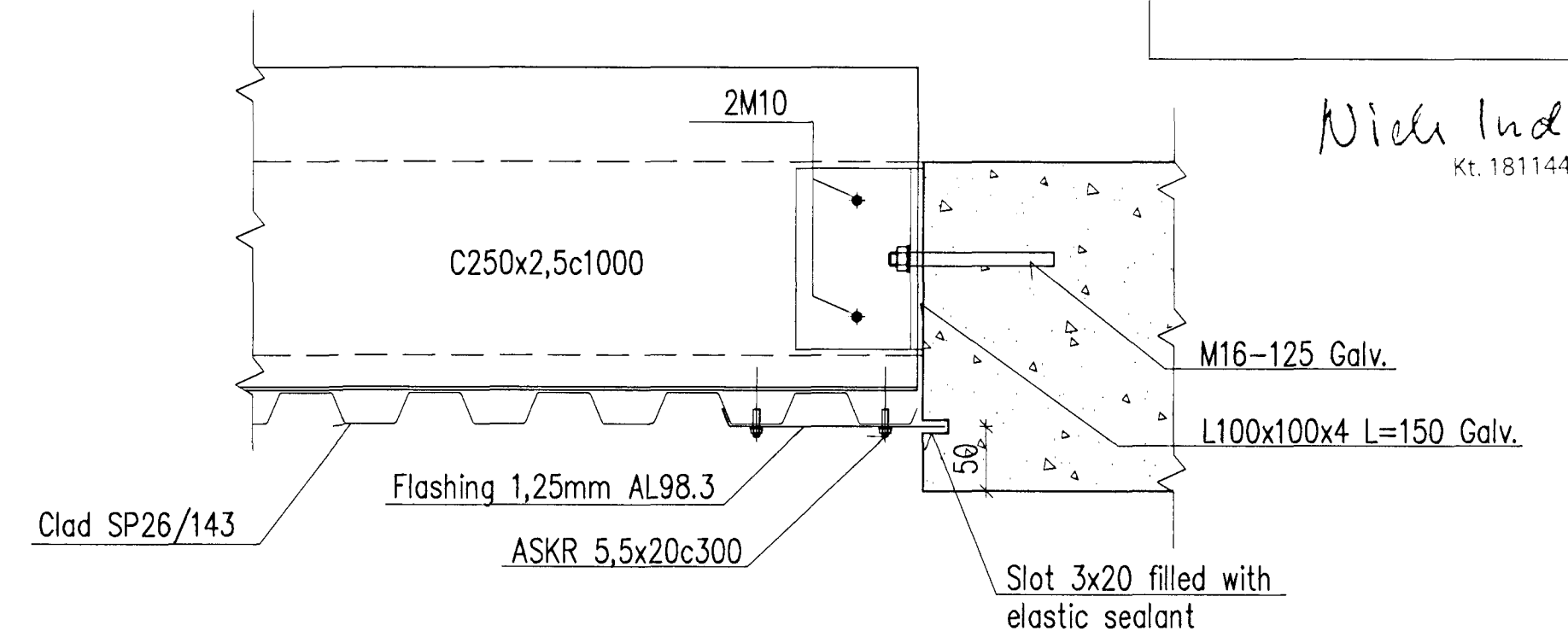
B5 FRONT VIEW, 1:50



1 SECTION 1:5

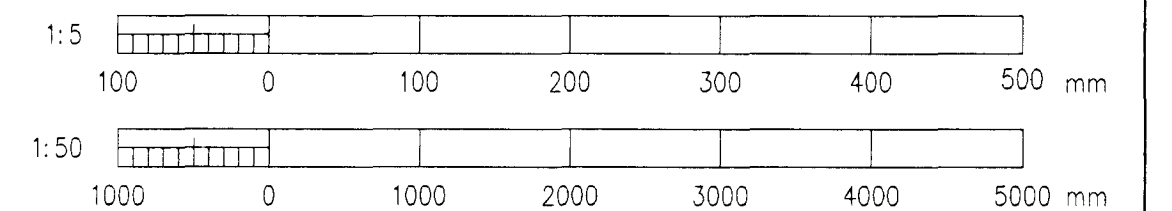


2 SECTION 1:5



Samþykkt þann
 01 OCT 2012
 Byggingafultrúinn / Hafnarfróð
 E. Sigurður Steinar Jónsson

Níels Indriðason
 Kt. 181144-3949



Skýringar:
 Legend:

3	Record drawing	2012.09.12	HS	NI	AK	HEA
Útg nr	Lýsing	Dagsetning	Höf./Tkn	Yfir	Notk. heim	Notk. heim
Rev no	Description	Date	Des./Dra	Chk	Suppl	ISAL Ref

This drawing is the property of Rio Tinto Alcan Iceland Ltd. and handed out for personal use only. It may neither be copied nor made available to others without permission of Rio Tinto Alcan Iceland Ltd. The receiver is liable for any misuse.

Scale: 1:50, 1:50
 Dimensions without tolerances according to ISO 2768-1 medium.



Dagsetning / Date	2011.03.07
Hannað / Designed	HS
Teikn / Drawn	LDB
Verktaki / Supplier	HRV
Teikn.nr.verktaka / Supplier drw.no	IDP-410-CA-015-338
Samþykkt / Approved	NI
Hlusti af / Part of	NI

IPU410-RECTIFIER BUILDINGS		Flakkur nr.:	Blöð nr.:	Næsta blinn.:
B5/S2		Kostn.nr.-Ceno. /	Búrn.nr.-Eq.no	
CLOSURE OF OPENINGS		4011	13982	
STRUCUTURAL STEEL		AKS	UB12	
RioTintoAlcan		ISAL	Teikn.nr. ISAL /Dra.no. of ISAL	Breyt./Rev.
		251292		A
		ISAL Samþykkt, dags / ISAL Checked, date		ISAL Samþykkt, dags / ISAL Approval, date