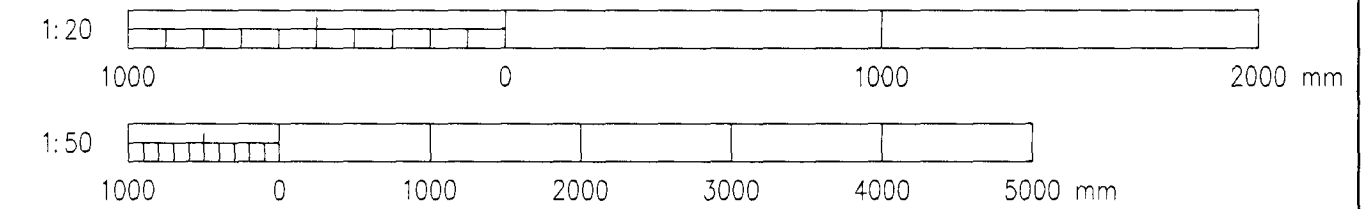
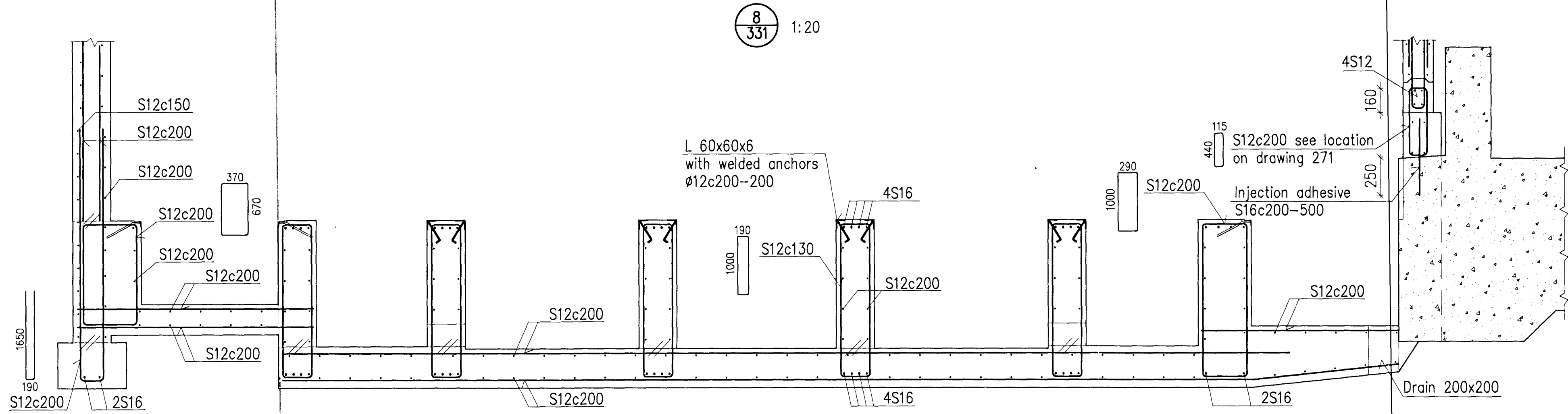
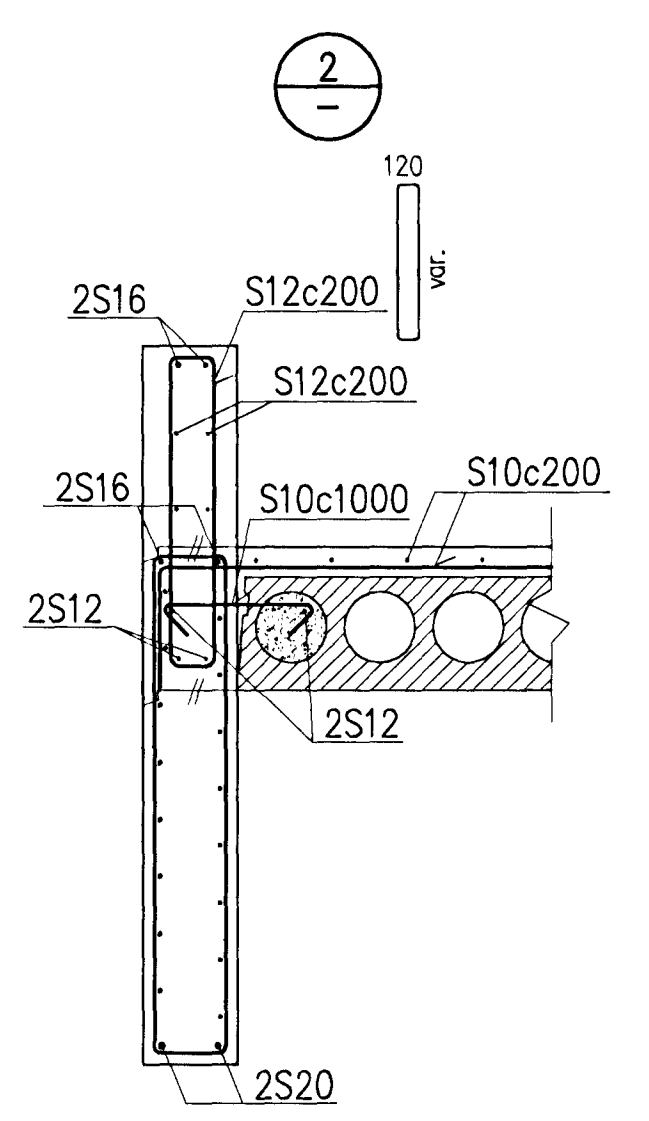
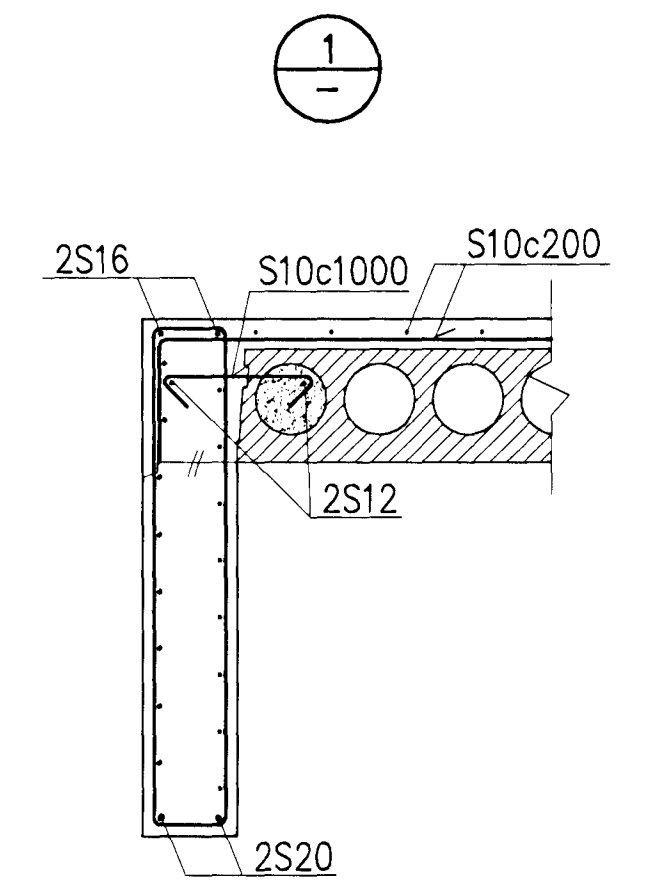
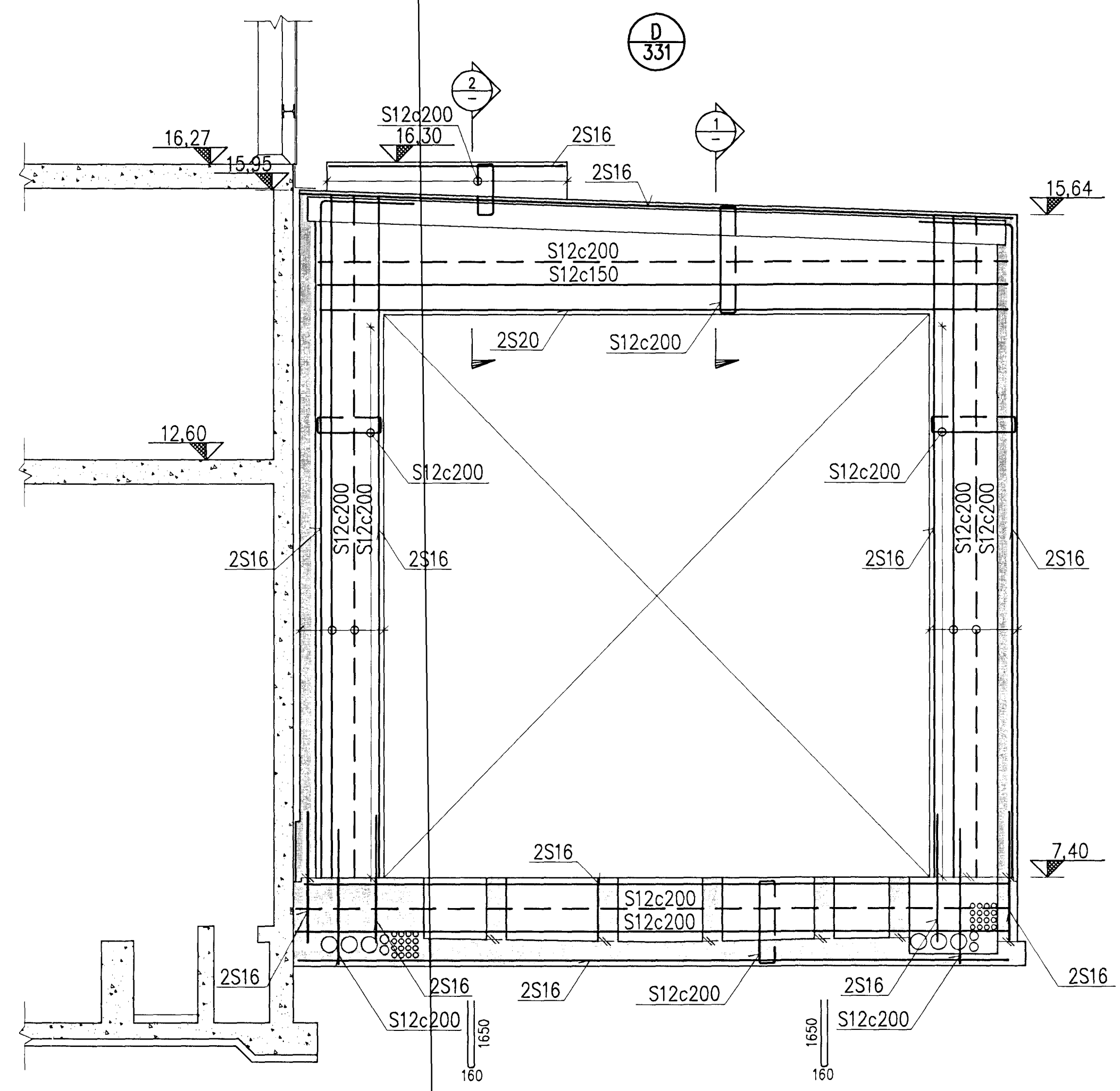
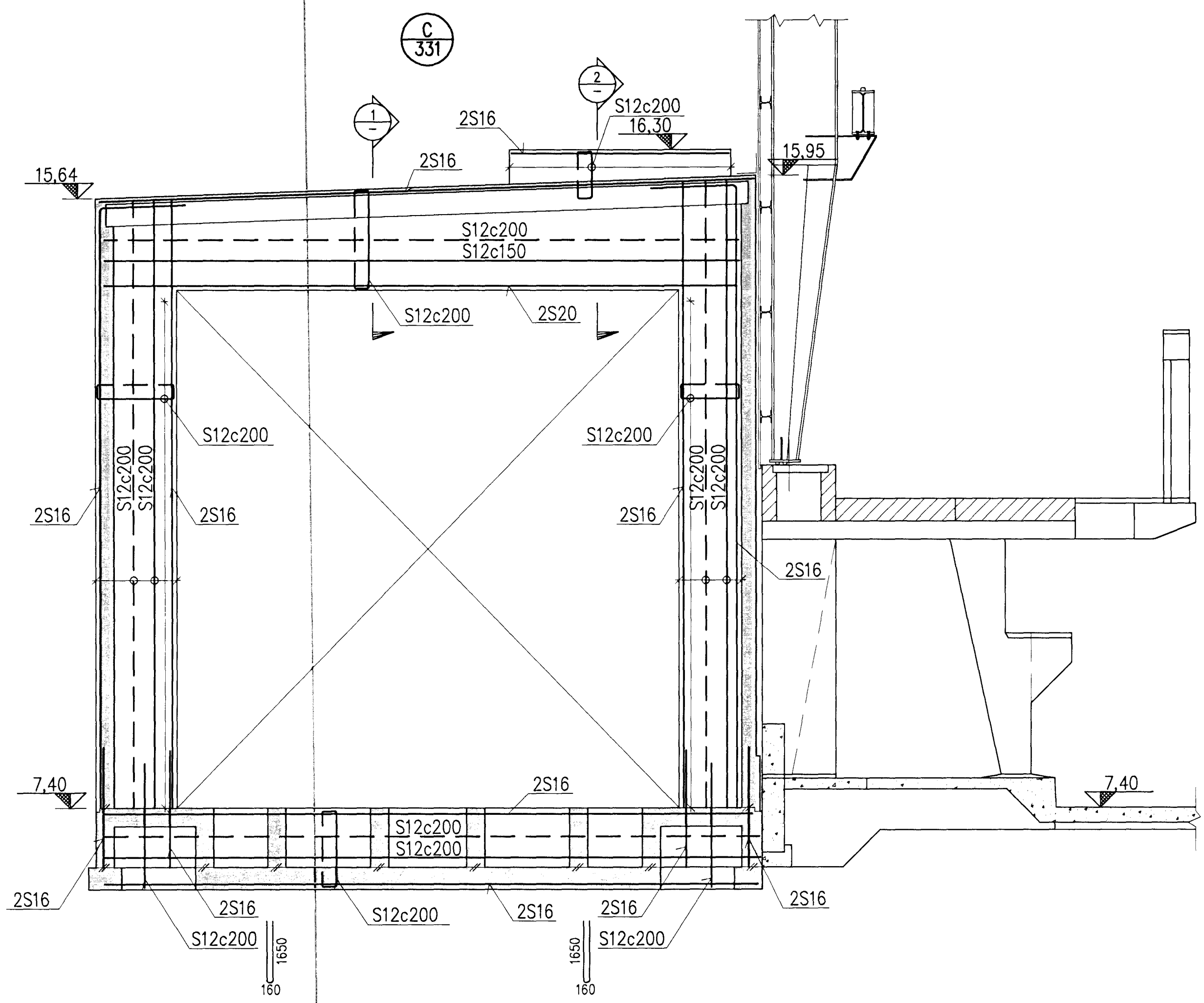


Níels Indriðason  
 Kt. 181144-3949 NI



Skýringar: Legend:	This drawing is the property of Rio Tinto Alcan Iceland Ltd. and handed out for personal use only. It may neither be copied nor made available to others without permission of Rio Tinto Alcan Iceland Ltd. The receiver is liable for any misuse.												Dagaetning / Date 2011.03.07		Flokkur nr.: Blað nr.: Nesti blnr.: B5/S2 WALLS SIDE VIEW 3/3		Kostn.nr.-Cena. / Bón.nr.-Eq.no 4011 13982	
	Stærð: A1 Mál: 1:20, 1:50 Formál: A1 Mál: 1:20, 1:50 Dimensions without tolerances according to ISO 2768-1 medium.										Tekn.nr.verkataka / Supplier drw.no. IDP-410-CA-015-335		Tekn.nr. ISAL / Drw.no. of ISAL 251289		Breyt./Rev. A			
4	Record drawing	2012.09.12	HS	NI	EG	RES						ISAL Yfirbú og prófað, dags / ISAL Checked, date ISAL Sambýkt, dags / ISAL Approval, date						