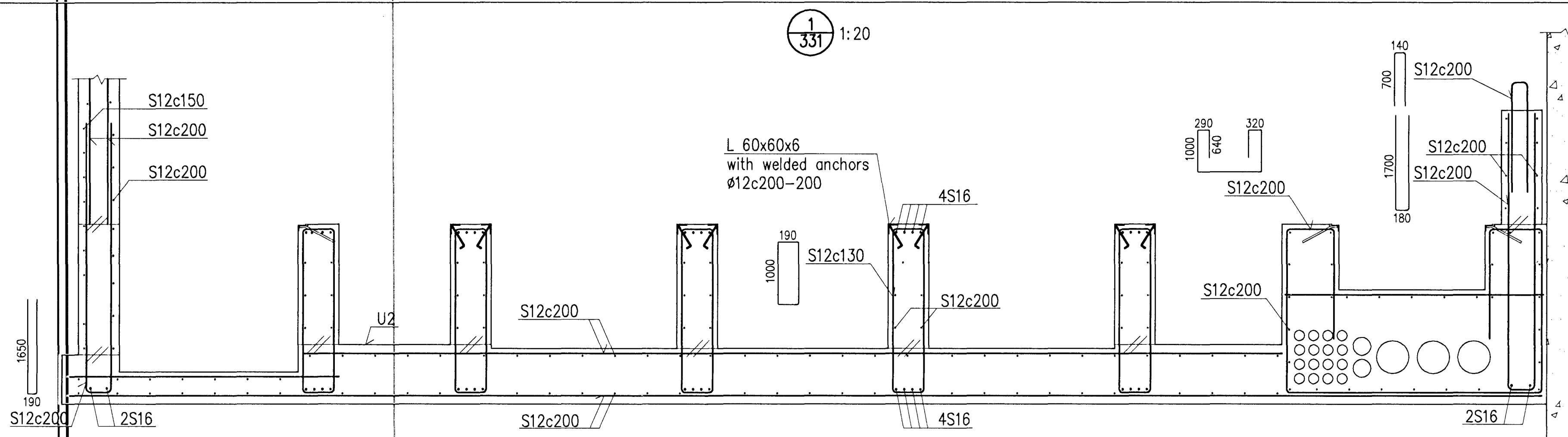


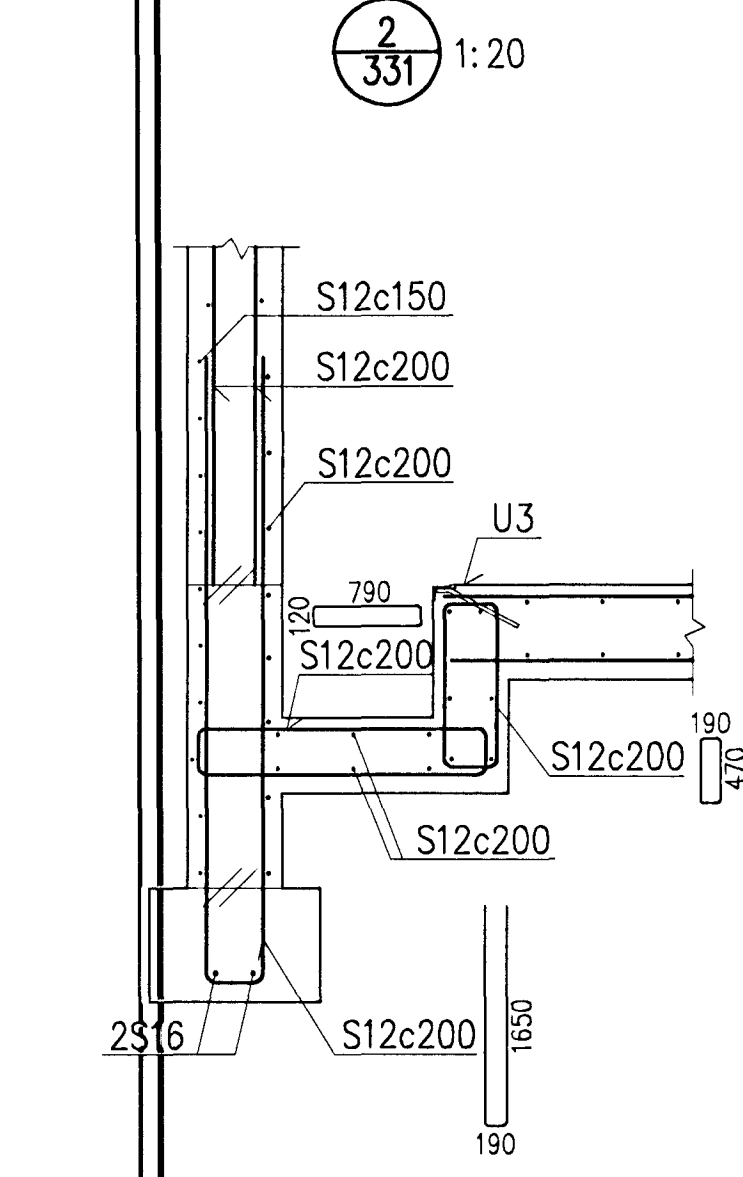
Sampykkt þann
 01 OCT 2012
 Byggingafrúnni í Hafnarfirði
 P.h. Sigurður Steinar Jónsson

Nicki Indriðason
 Kt. 181144-3949 NI

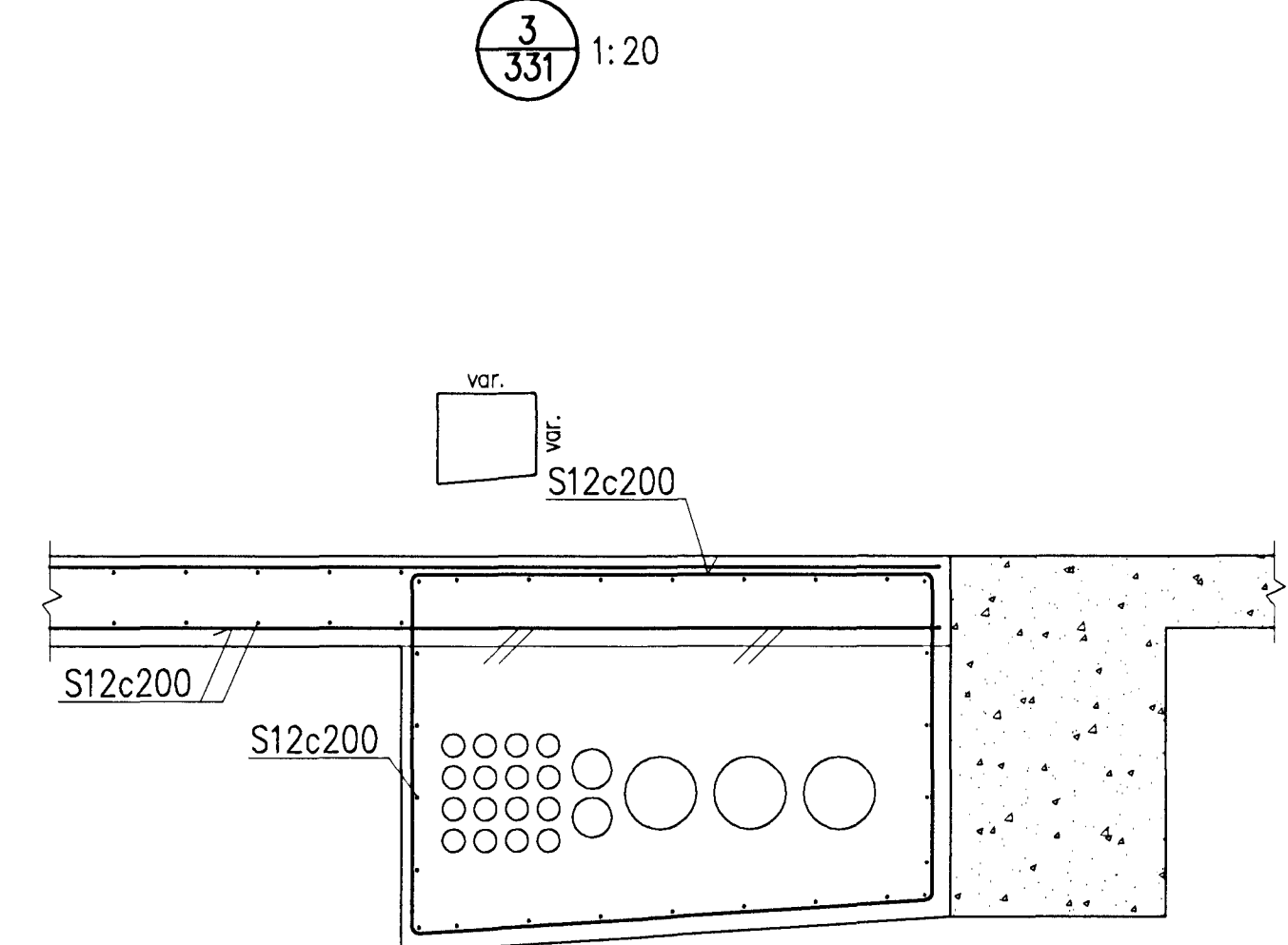
1/331 1:20



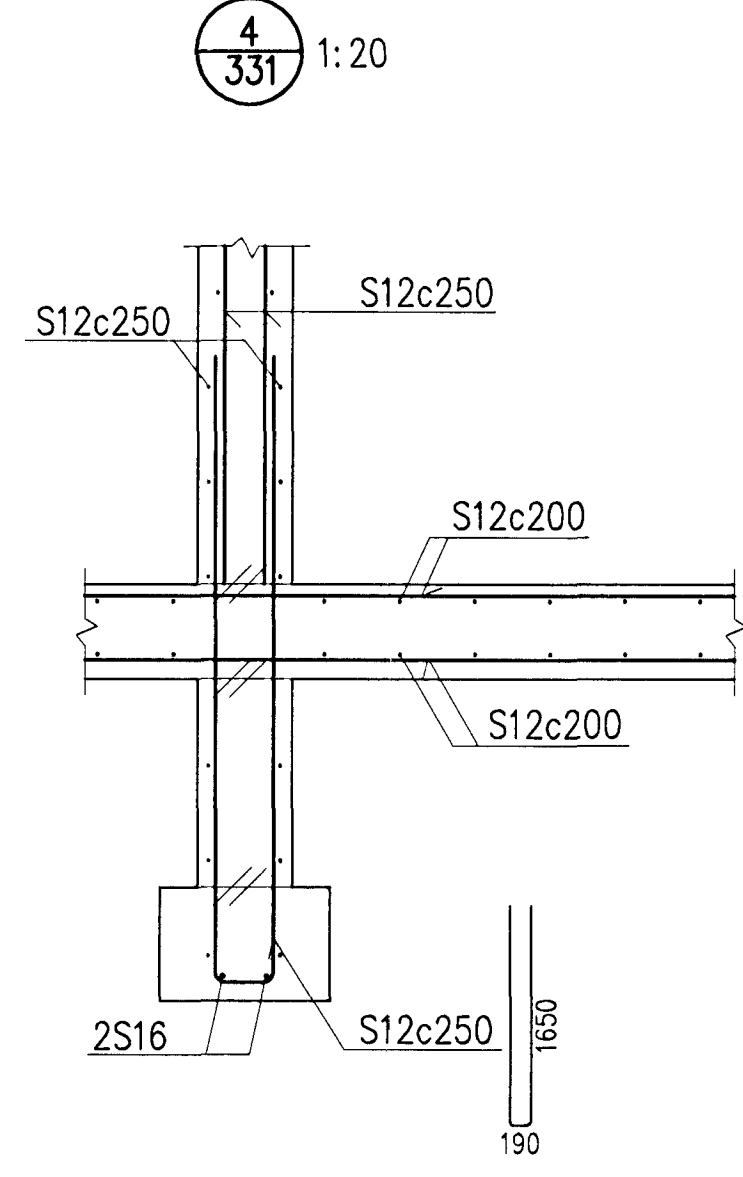
2/331 1:20



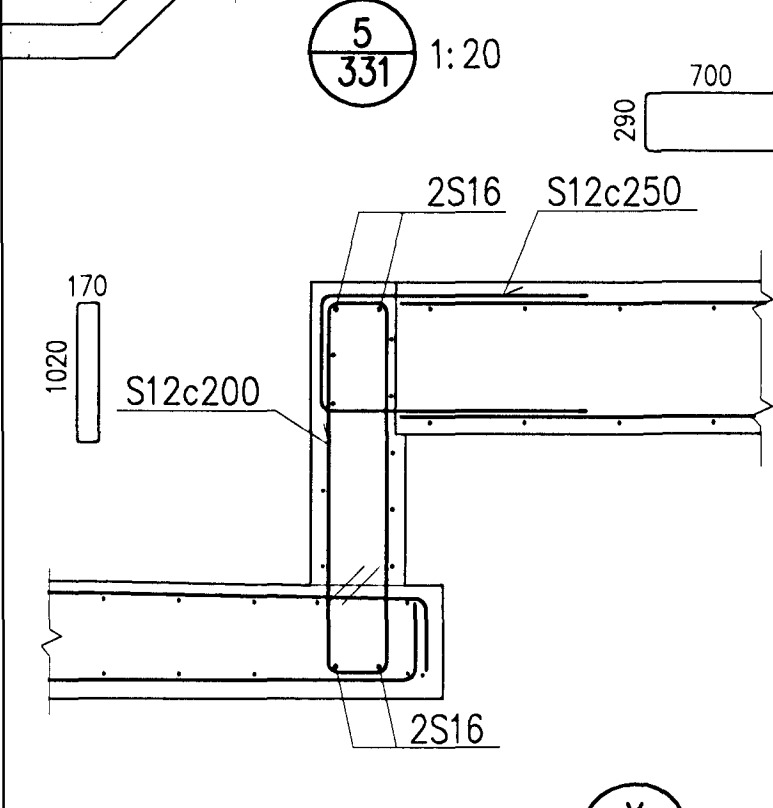
3/331 1:20



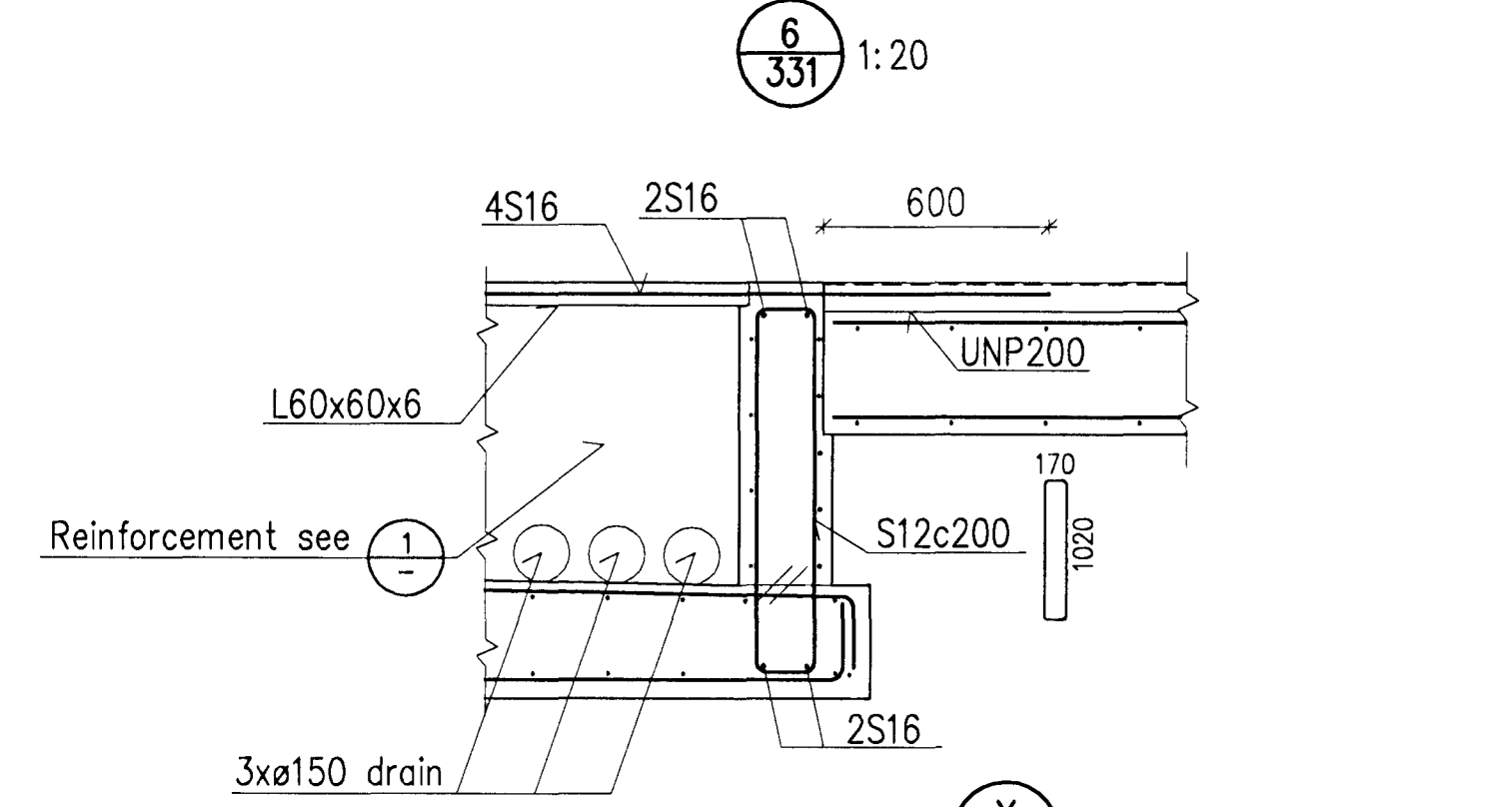
4/331 1:20



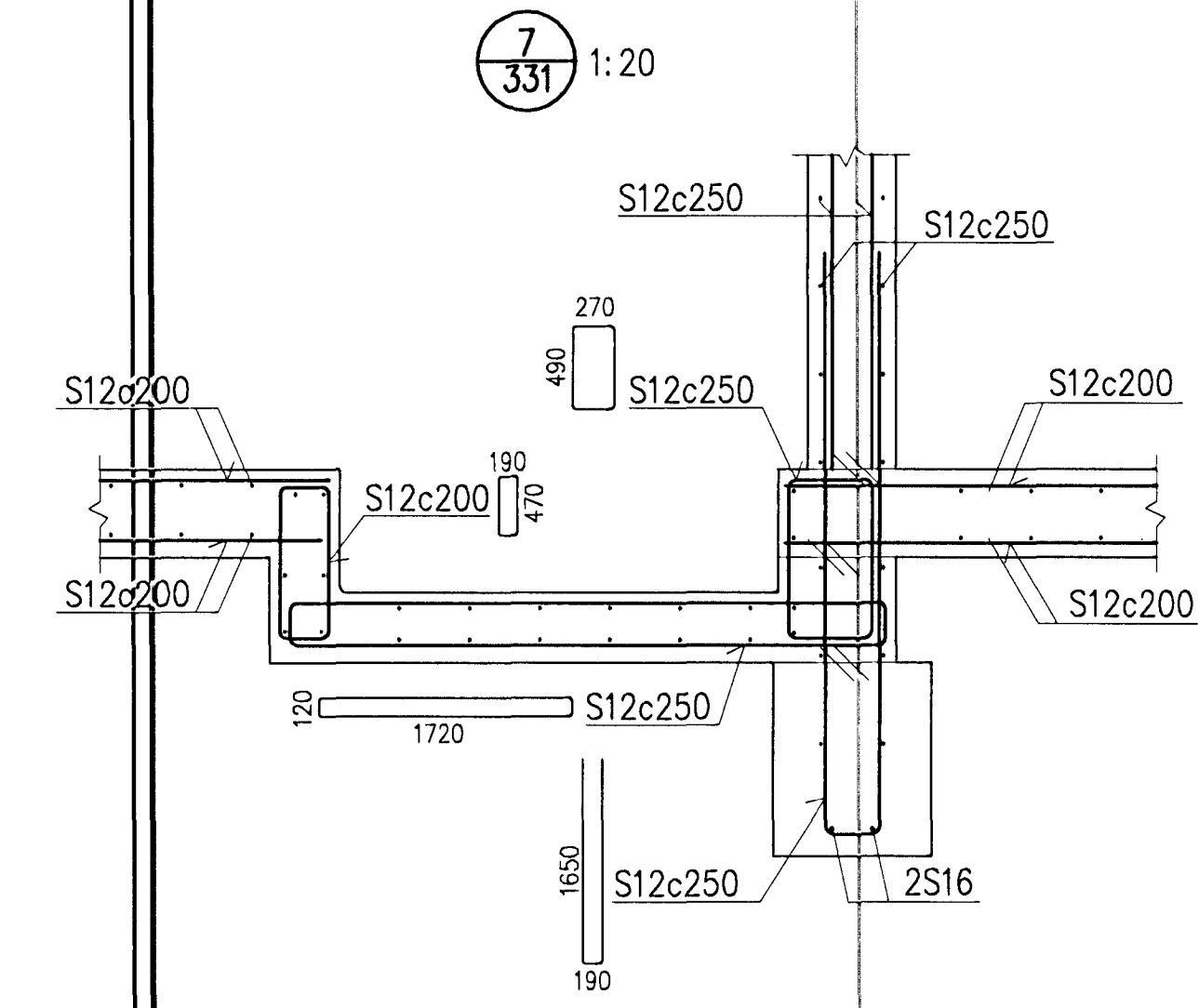
5/331 1:20



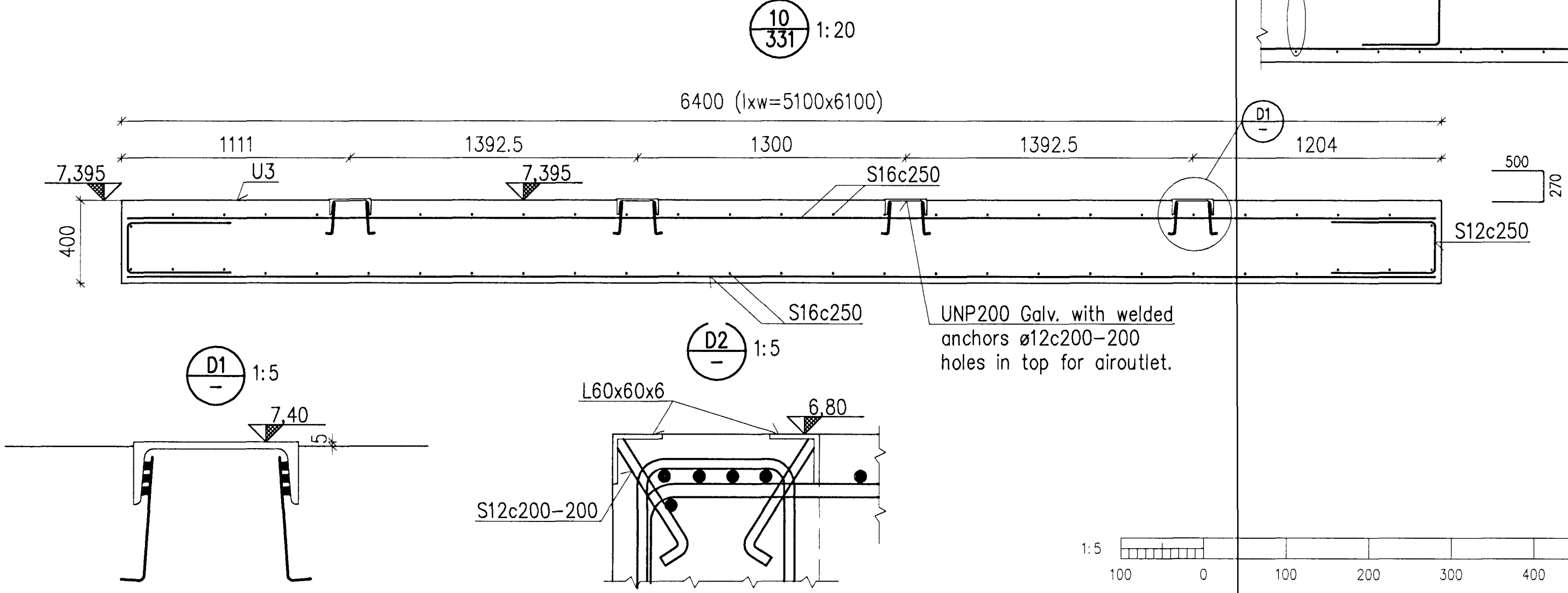
6/331 1:20



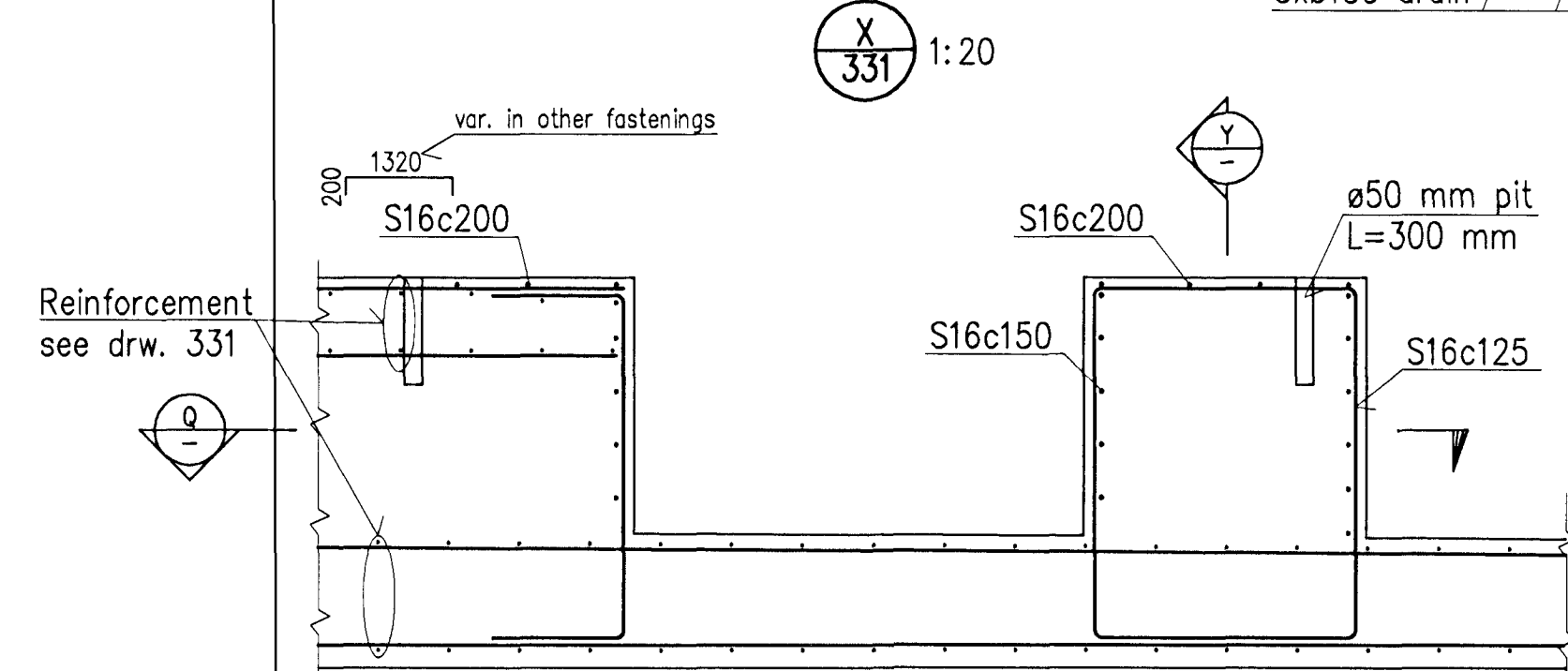
7/331 1:20



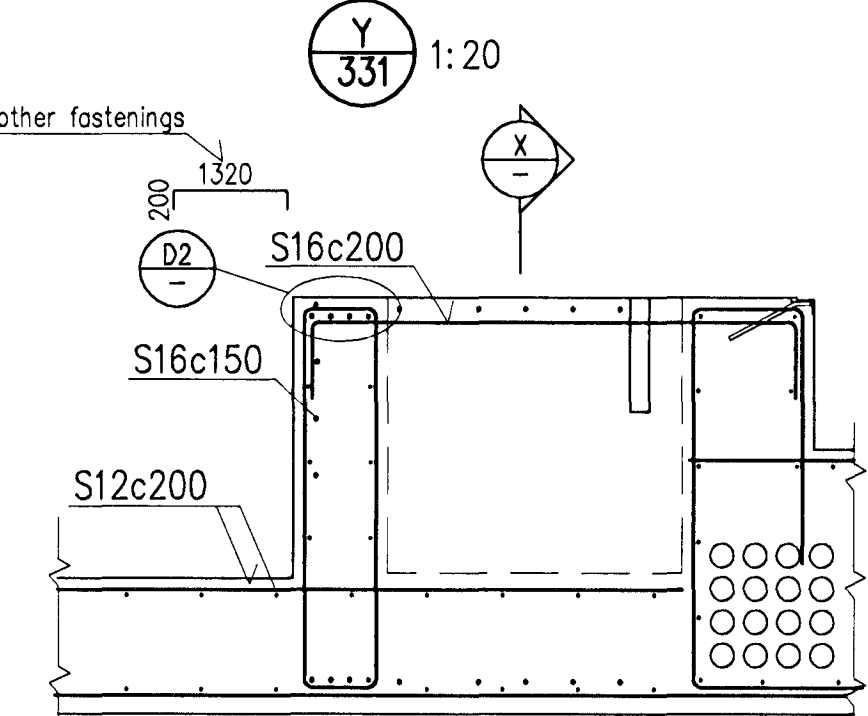
10/331 1:20



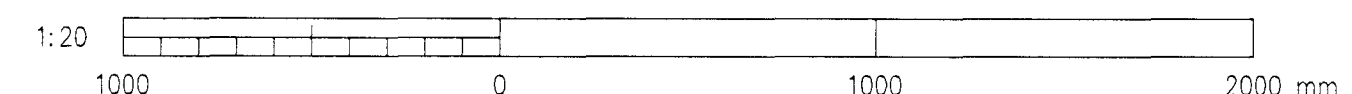
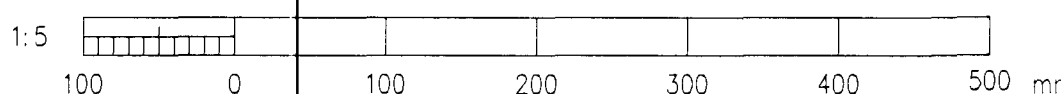
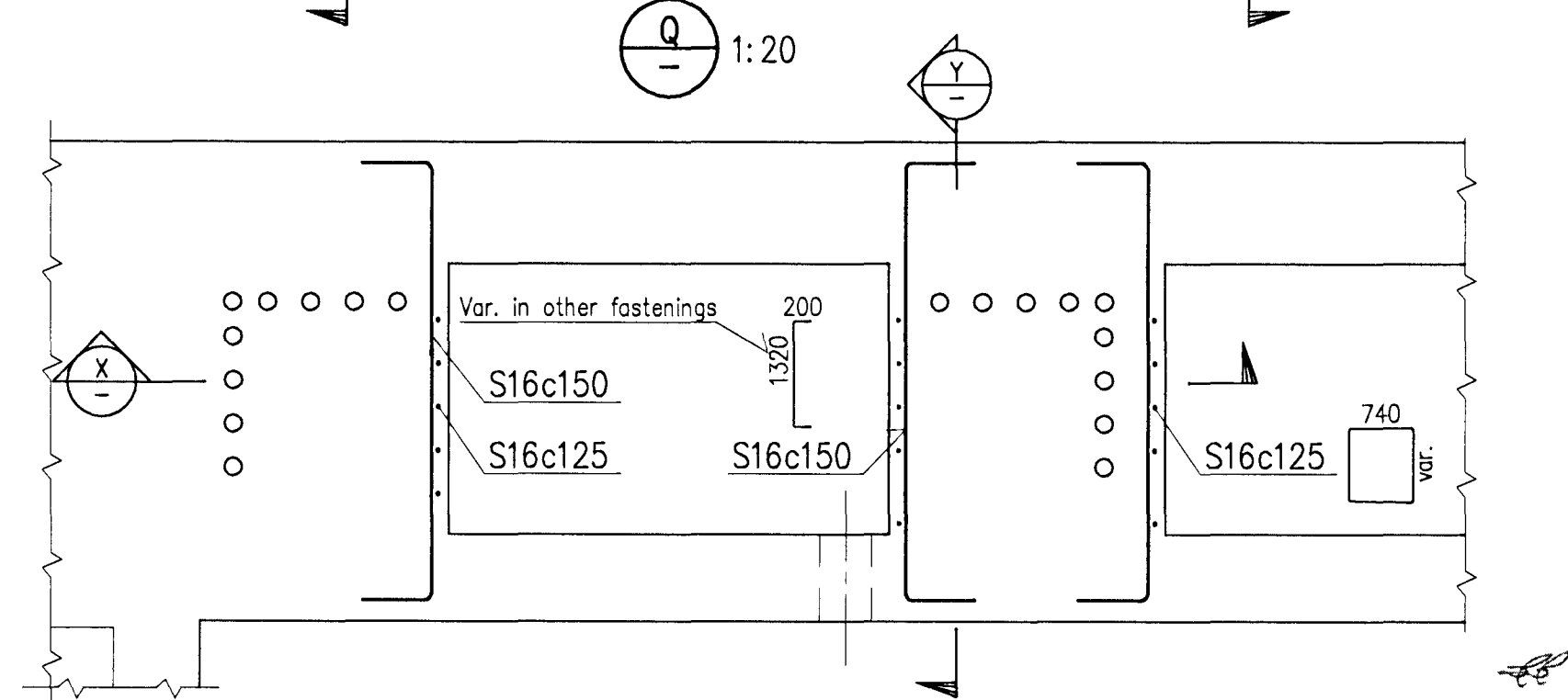
X/331 1:20



Y/331 1:20



Q/331 1:20



Skýringar Legend:	<p>This drawing is the property of Rio Tinto Alcan Iceland Ltd. and handed out for personal use only. It may neither be copied nor made available to others without permission of Rio Tinto Alcan Iceland Ltd. The receiver is liable for any misuse.</p> <p>Scale: 1:5, 1:20 Dimensions without tolerances according to ISO 2768-1 medium.</p>										Dagssetning / Date 2011.03.07		Flakur nr.: Blað nr.: Næsta blm. nr.: 4011 13982	
	4 Record drawing 2012.09.12 HS NI										IPU410-RECTIFIER BUILDINGS B5/S2 SECTIONS REINFORCEMENT UB12		Kostn.nr.-Cono. / Blm.nr.-Eq.no 4011 13982	
HRV HATCH ISAL PRODUCTION SPRINGS										Tekn. / Drawn HS LDB		ISAL Tekn. nr. / Drw. no. of ISAL 251286		
ISAL IS-222 Hafnarfirður Ísland										Vertakni / Supplier HRV		ISAL Breyt./Rev. A		
C:\DP\01 DP 400 - Reduction\410 Substation\Drawings\Civil\DP-410-CA-015-332.dwg										Tekn.nr.verkta / Supplier drw.no. IDP-410-CA-015-332		ISAL Checked, date ISAL Approved, date		
Útg. nr. / Rev. no. Ljsg. / Description										Dagssetning / Date 2012.09.12		ISAL Sambýkt, dags / ISAL Approval, date		
Hafi / Port of:										Hafi / Port of:		ISAL Sambýkt, dags / ISAL Approval, date		