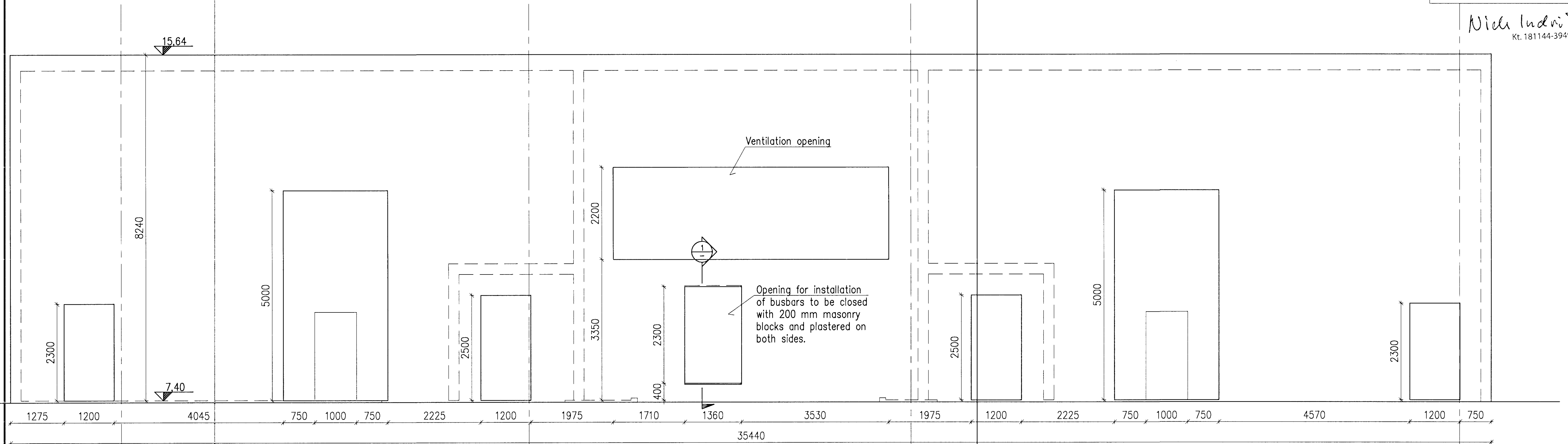


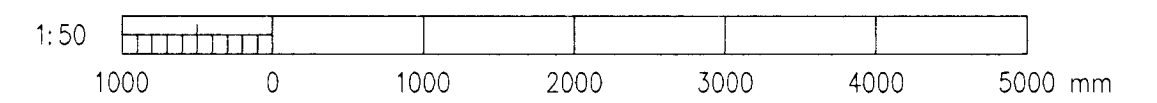
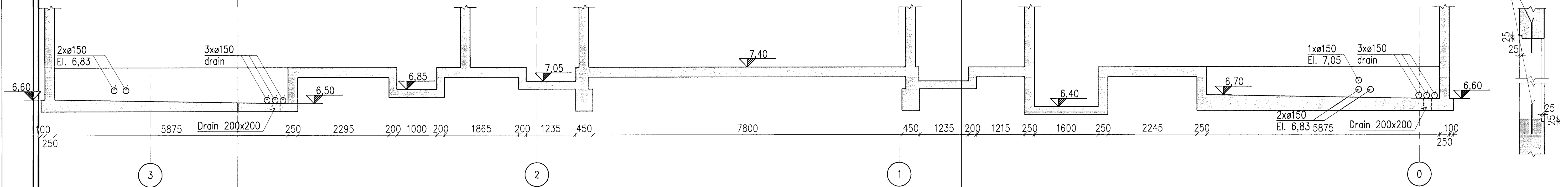
Níels Indriðason  
 Kt. 181144-3949 NSI



SIDE VIEW 1:50

H SECTION, 1:50  
 324

1 SECTION, 1:20



Skýringar:  
 Legend:

3	Record drawing	2012.09.12	HS	NI	NSI	NSI
Óg nr	Lýsing	Dagsetning	Hor/Tín	Yfir	Nota heim	Nota heim
Rev no	Description	Date	Des/Draw	Draw	Suppl	Rel

This drawing is the property of Rio Tinto Alcan Iceland Ltd. and handed out for personal use only. It may neither be copied nor made available to others without permission of Rio Tinto Alcan Iceland Ltd. The receiver is liable for any misuse.

Stærð: A1 Mkv: 1:50  
 Formát: Scalle:  
 Dimensions without tolerances according to ISO 2768-1 medium.

HRV HATCH  
 ISAL PRODUCTION UPGRADE

Dagsetning / Date	2011.03.07
Hannað / Designed	HS
Teikn / Drawn	LDB
Verktaki / Supplier	HRV
Teikn.nr./verktaka / Supplier draw.no.	IDP-410-CA-015-325
Samþykkt / Approved	NI
Yfir / Chkd	NI
Hluti af: / Part of:	

IPU410-RECTIFIER BUILDINGS		Flokkur nr.:	Bláð nr.:	Nasta bl. nr.:
B5/S2		Kostn.nr.-Ceno. / Bláð nr.-Eq.no	4011	13982
SIDE VIEW 1/2		ANS	UB12	
FORM WORK		Teikn.nr. ISAL / Draw.no. of ISAL	251279	Breyt./Rev. A
Rio Tinto Alcan		ISAL		
		Alcan Iceland Ltd		
		Strojumsvik		
		IS-222 Hafnarforður		
		Iceland		
		ISAL Yfirfarð og skráð, dags / ISAL Checked, date		
		ISAL Samþykkt, dags / ISAL Approval, date		