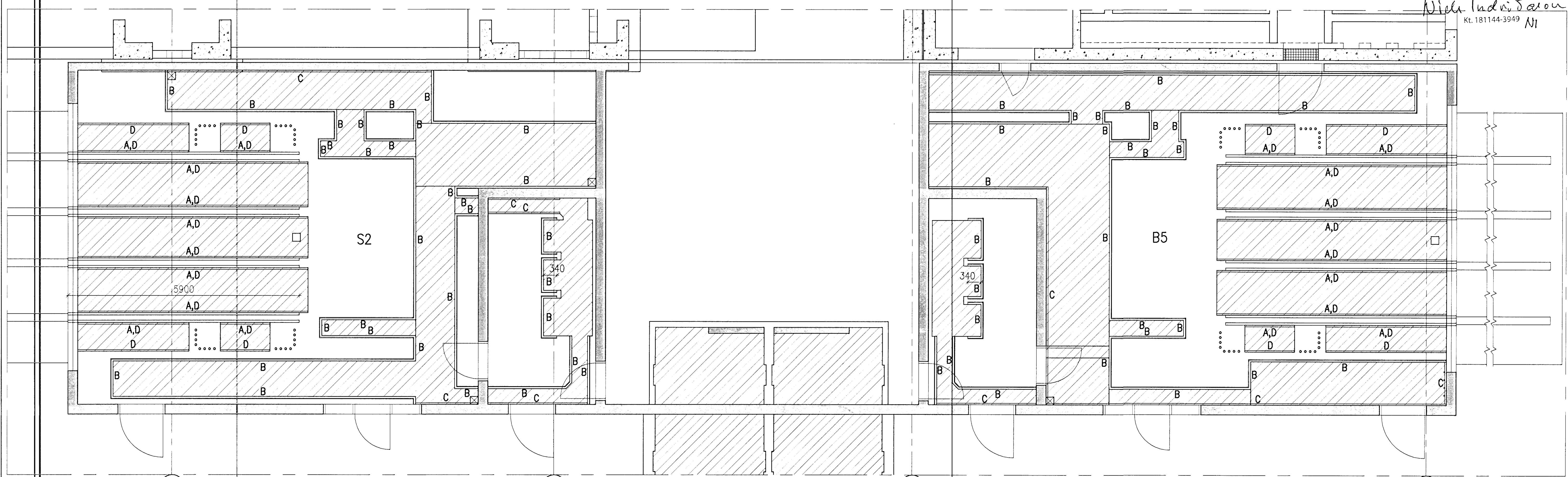
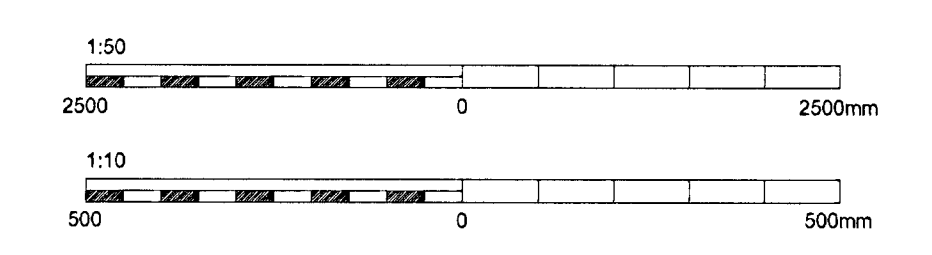
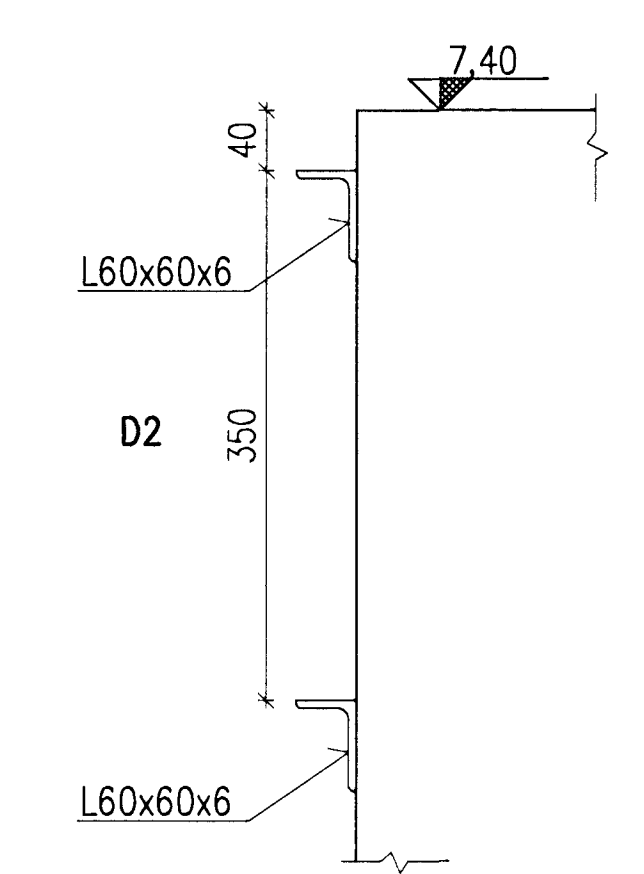
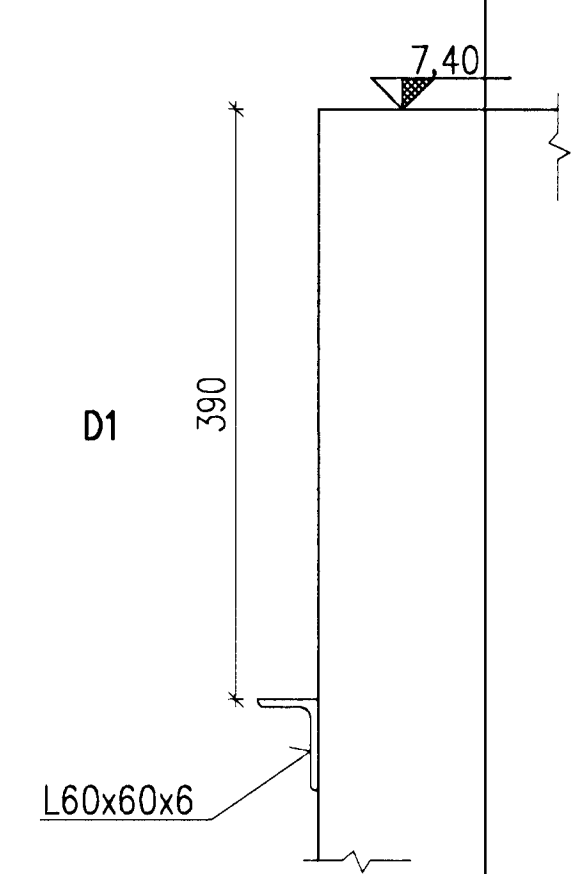
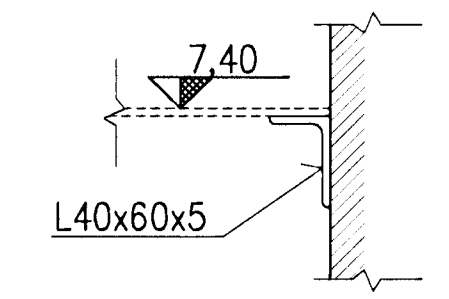
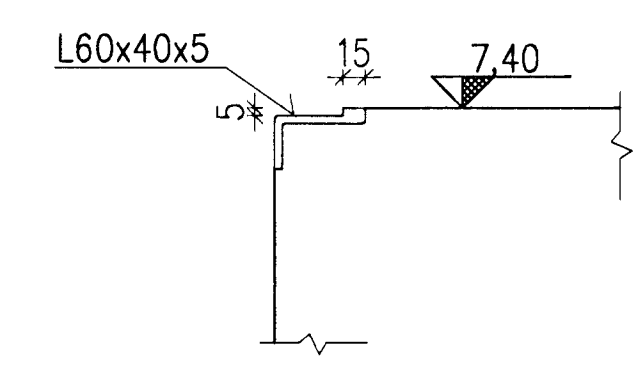
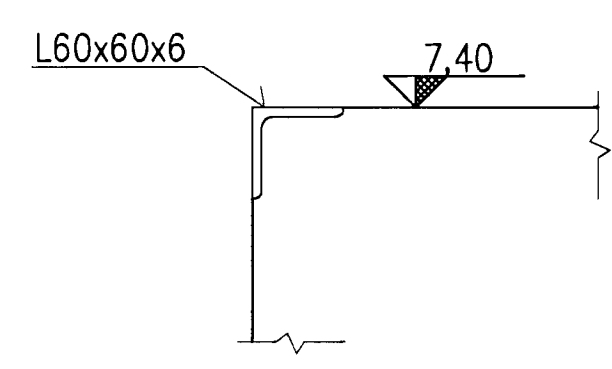
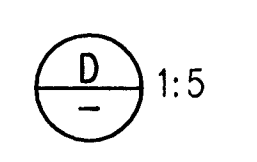
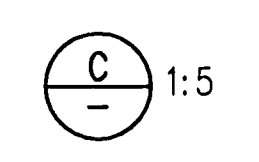
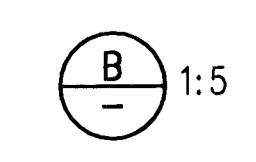
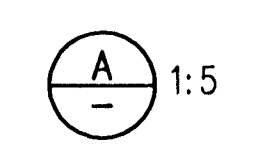


Samþykkt þann
 01 OCT 2012
 Byggingafulltrúinn í Hafnarhól
 F.h. Sigurður Steinar Jónsson

Níla Indriðsson
 Kt. 181144-3949 NI



PLAN VIEW 1:50



Skýringar Legend
 Conduits

C:\VDP\01\DP\400 - Reduction\410 Substation\Drawings\Civil\DP-410-CA-015-323.dwg

Útg nr / Rev no	Lýsing / Description	Dagsetning / Date	HM / Rm / Des/Dw	Yfirt / Otd	Notk heim / Suppl / Rel	Notk heim / ISAL / Rel
2	Record drawing	2012.09.12	GMG	NI	EG	IKK

This drawing is the property of Rio Tinto Alcan Iceland Ltd. and handed out for personal use only. It may neither be copied nor made available to others without permission of Rio Tinto Alcan Iceland Ltd. The receiver is liable for any misuse.
 Scale: 1:50/1:10
 Dimensions without tolerances according to ISO 2768-1 medium.

HRV HATCH
 REAL PRODUCTION UPGRADE

Dagsetning / Date: 2011.06.09
 Hönnuð / Designed: GMG
 Teikn / Drawn: LDB
 Verktaki / Supplier: HRV
 Tækn nr./versk. / Suppliar drw.no: IDP-410-CA-015-323
 Samþykkt / Approved: NI
 Hluti af / Part of: NI

Rio Tinto Alcan
 ISAL Reykjavík
 IS-222 Hafnarforður
 Ísland

IPU410-RECTIFIER BUILDINGS
 B5/S2
 BOTTOM SLAB - EMBEDDED ANGLES
 FORM WORK

Flokkur nr.: 4011
 Blað nr.: 13982
 Nasta bl.nr.:
 Kostn.nr.-Ceno. / Bsn.nr.-Eq.no
 AKS UB12
 251277
 A

ISAL Yfirfarð og skrð, dags / ISAL Checked, date
 ISAL Samþykkt, dags / ISAL Approved, date