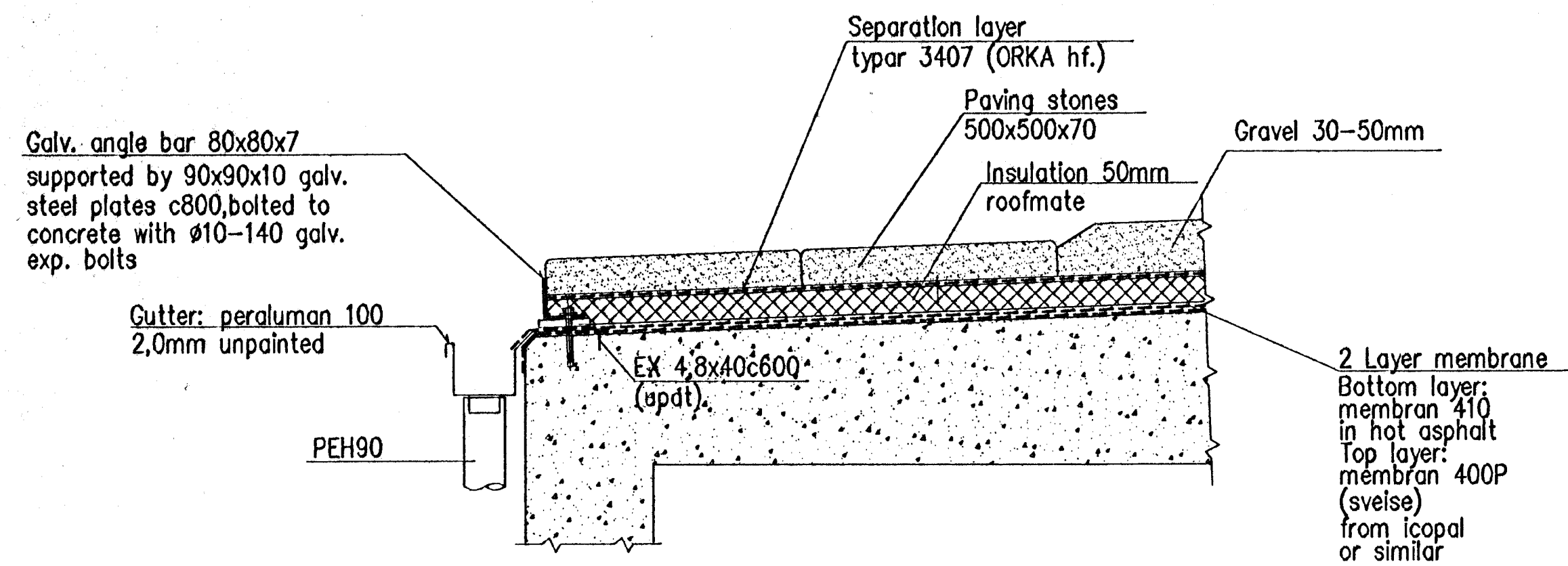
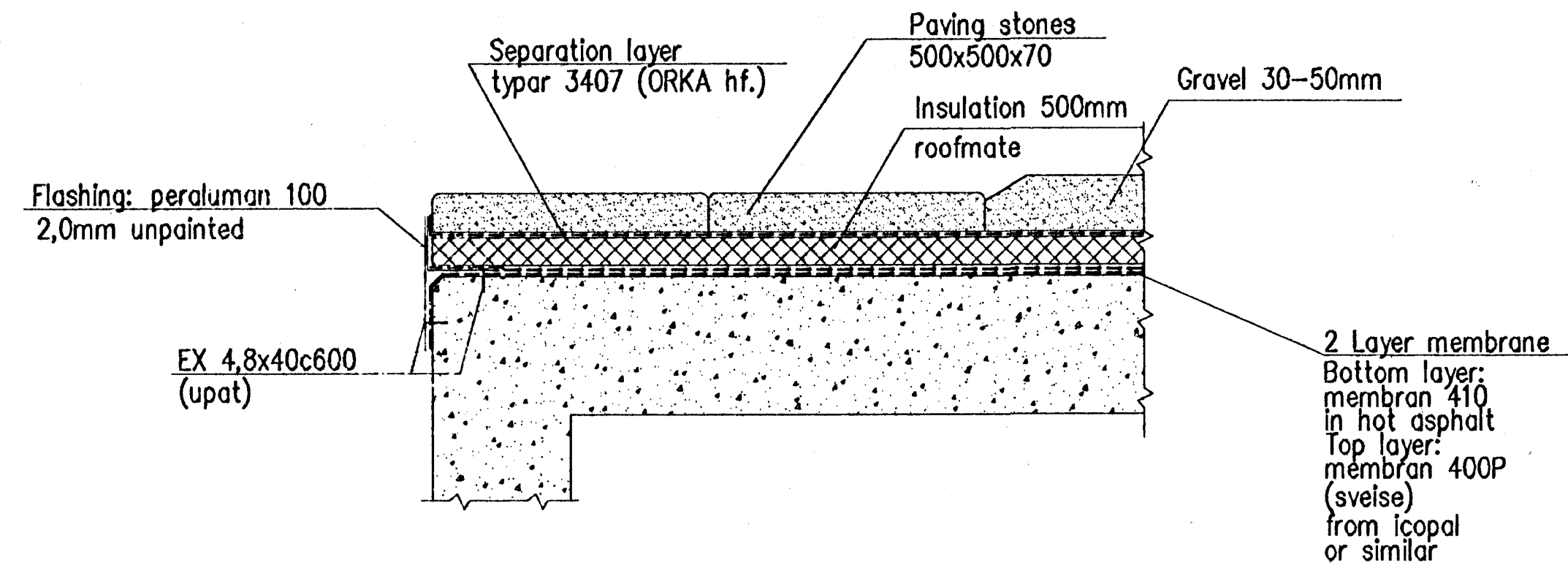


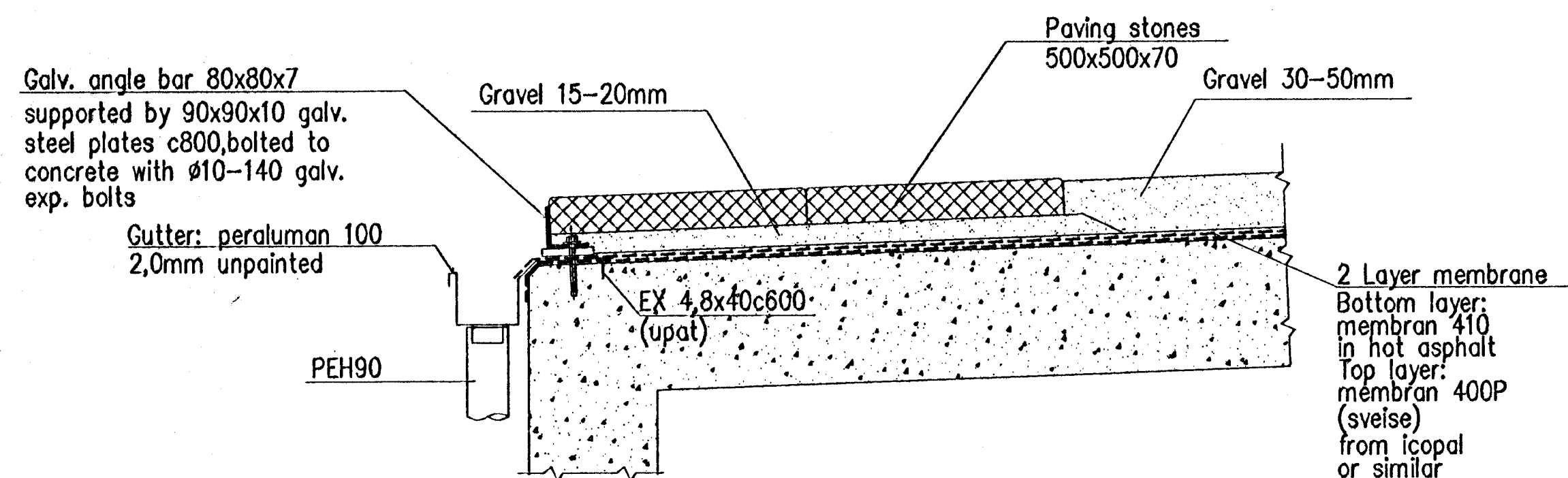
1
121



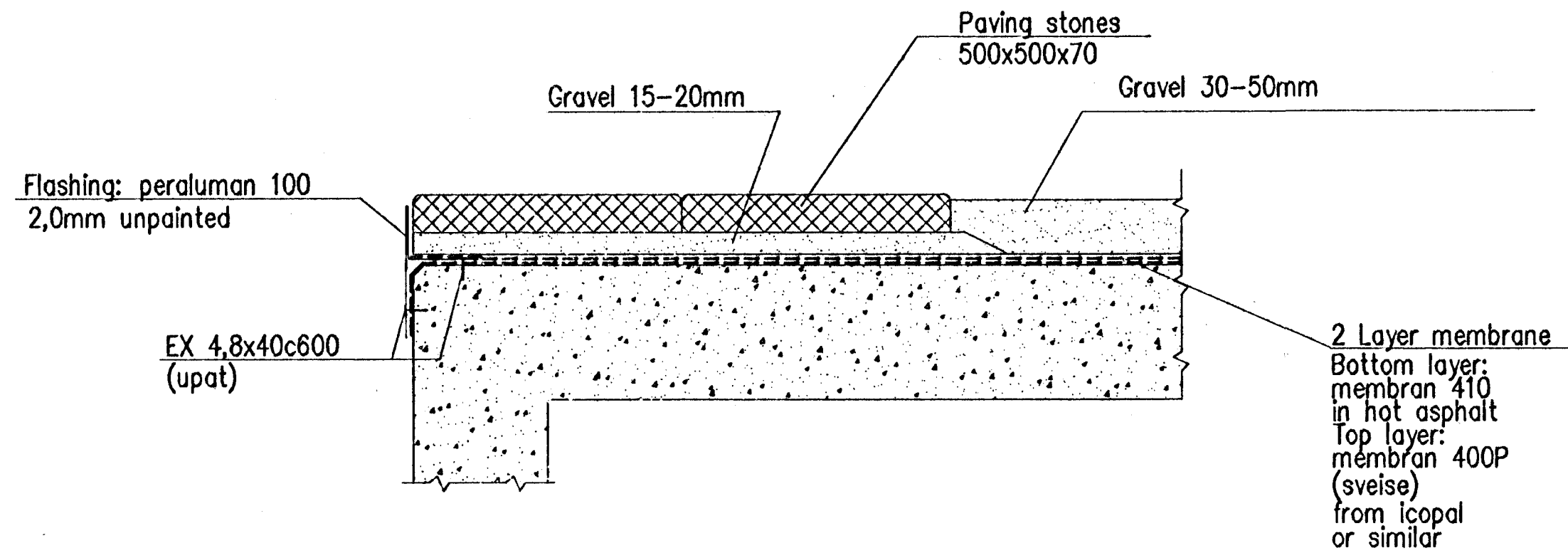
2
121



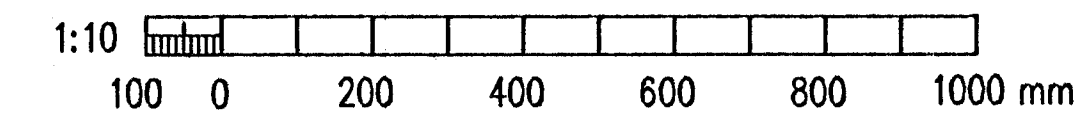
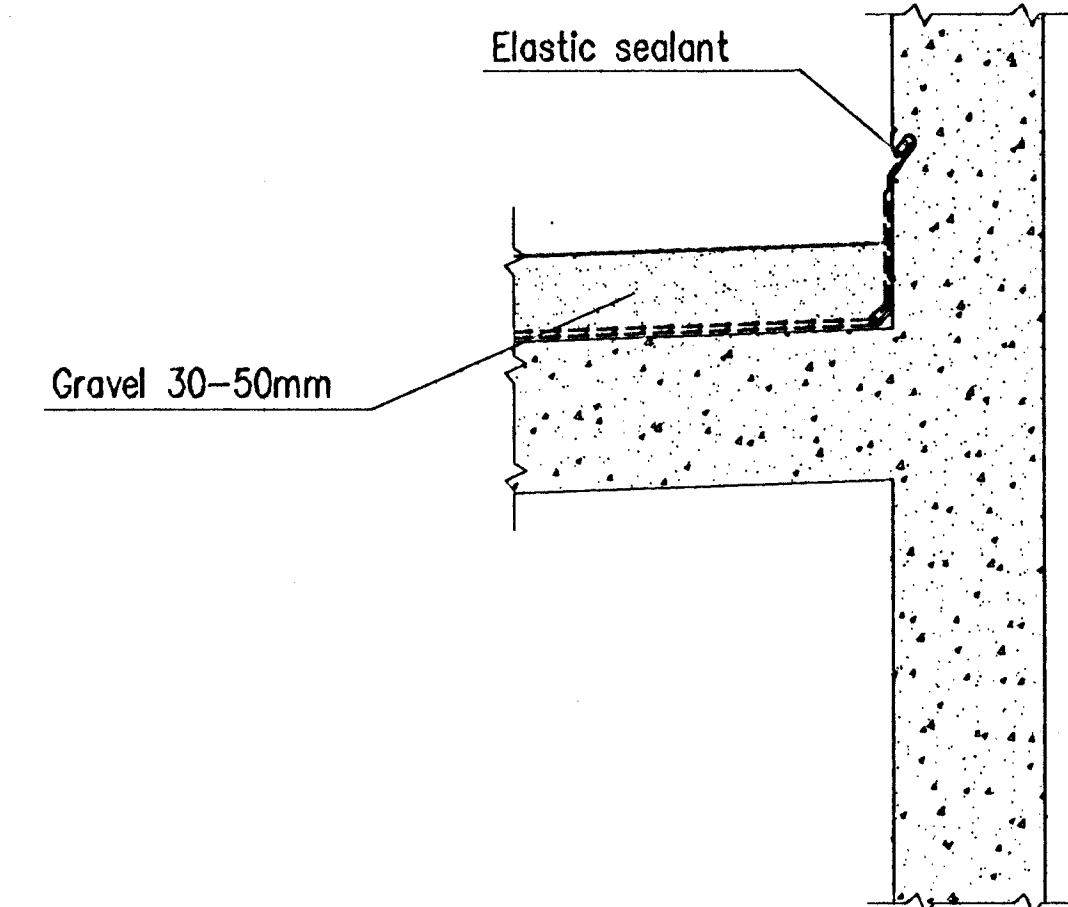
3
121



4
121



5
121



Willi Linder

VST CONSULTING ENGINEERS Ltd. Armuila 4 108 Reykjavik Iceland Tel: +354 569 5000 Fax: +354 569 5010			95.120 - 26.122	
ICELANDIC ALUMINIUM COMPANY LTD.			SUBSTATION 120 CONCRETE WORK ROOFING, DETAILS FORMWORK	
DRAWN 98.05.29 SGI APPROVED 98.05.29 FGS PROJECT 98.05.29 NI SCALE 1:10 FORWAT AT			ALESA ALUSUISSE ENGINEERING LTD. ZURICH SWITZERLAND 79000-35422	
1 1998.07.18 APPROVED FOR CONSTRUCTION FGS N.I.			188.422	

REV. NO.	DATE	REVISION	BY	APP.	REV. NO.	DATE	REVISION	BY	APP.	NOTES	REFERENCE DRAWING	DRAWING NUMBER
1	1998.07.18	APPROVED FOR CONSTRUCTION	FGS	N.I.								

This drawing is our property and given for personal use only. It may not be copied or made available to others without our permission. The receiver is responsible for any misuse.

