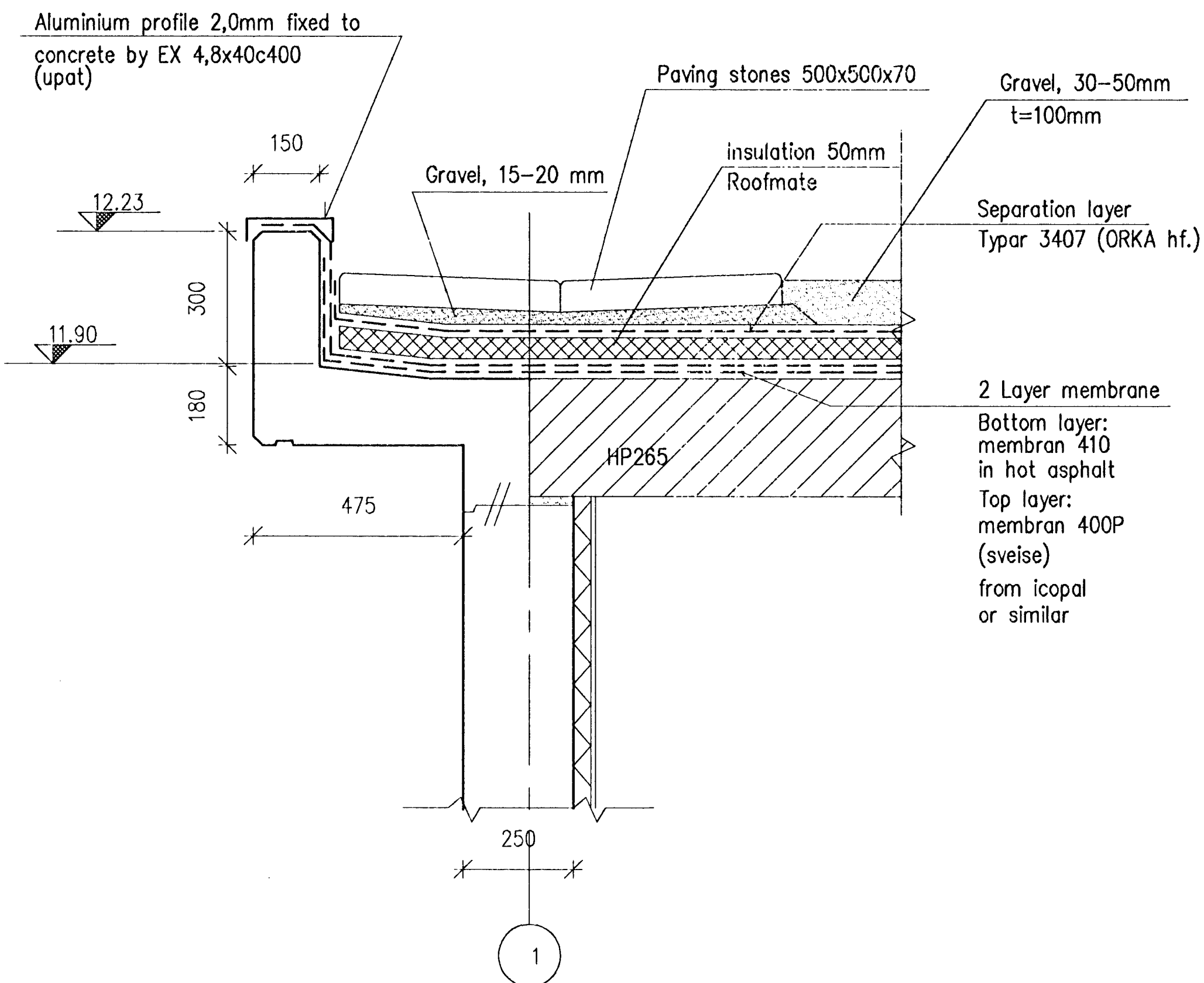
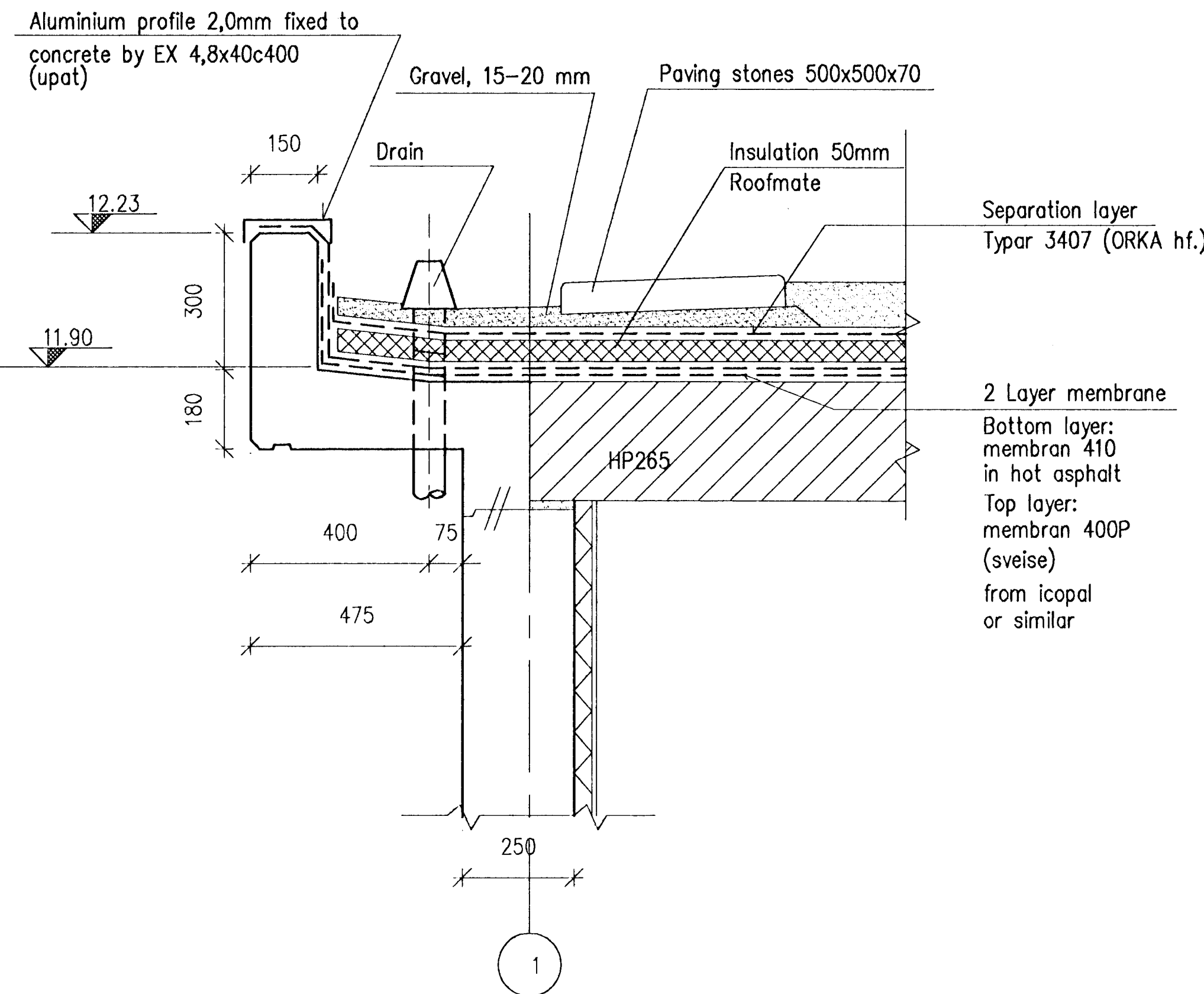
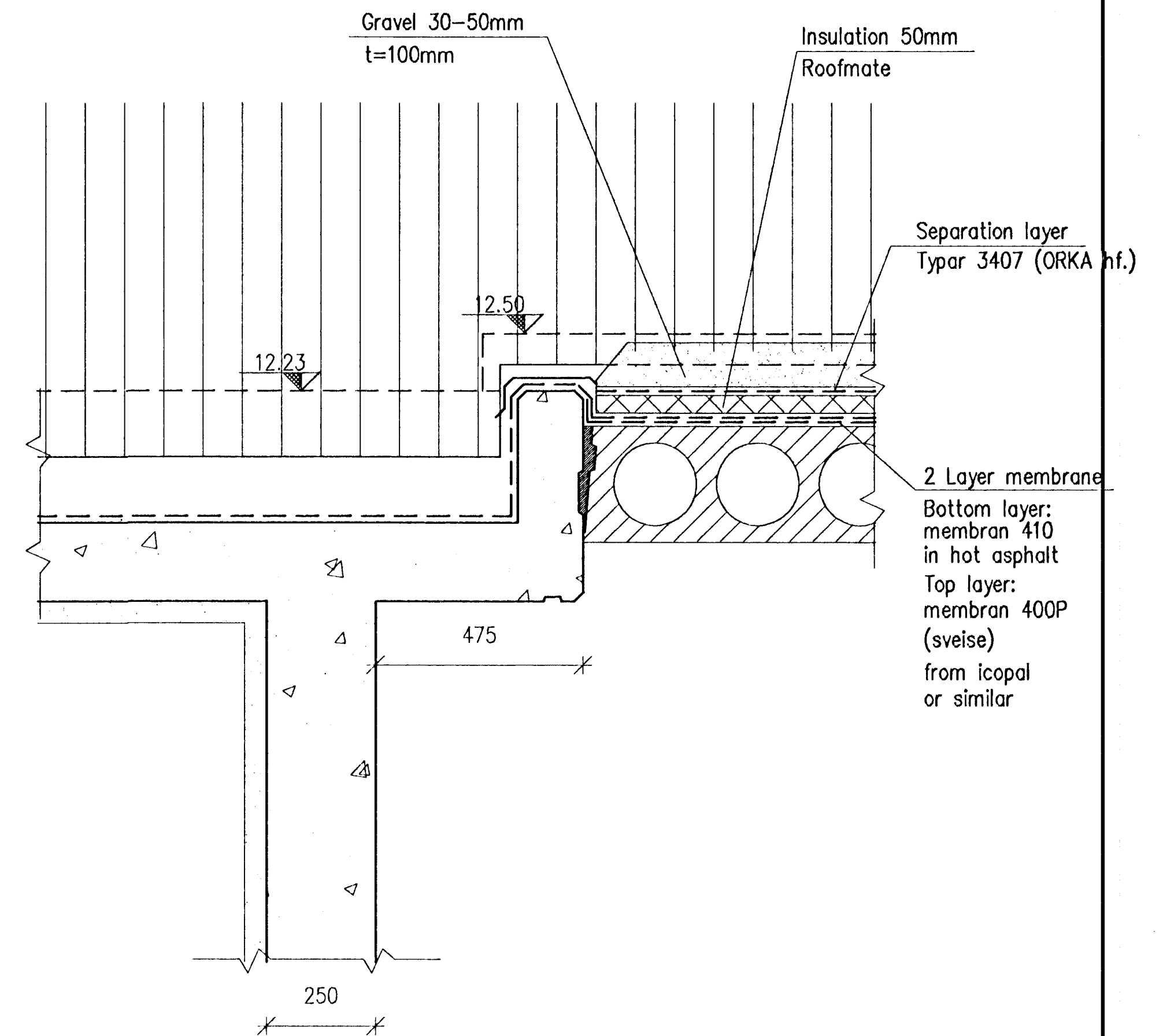


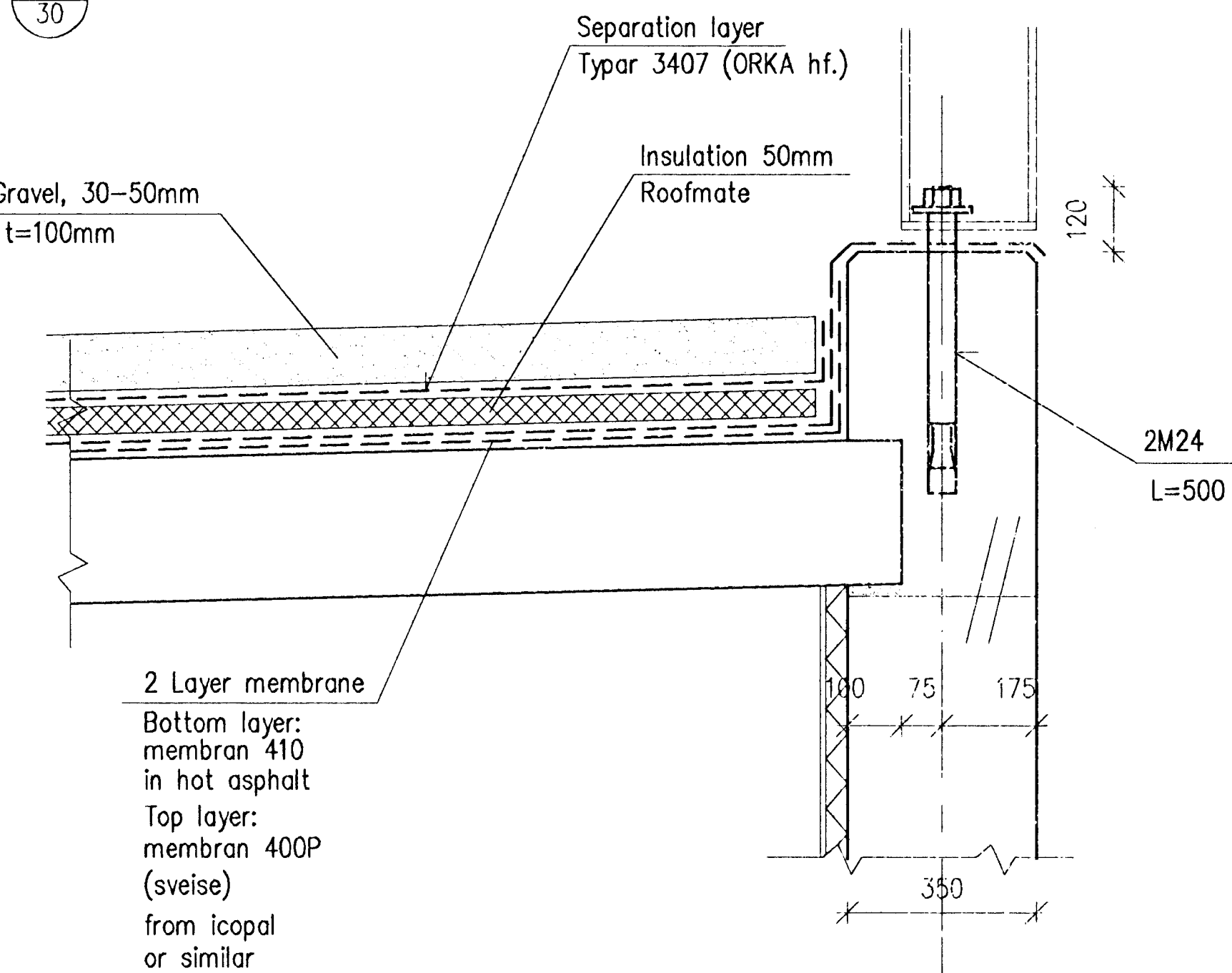
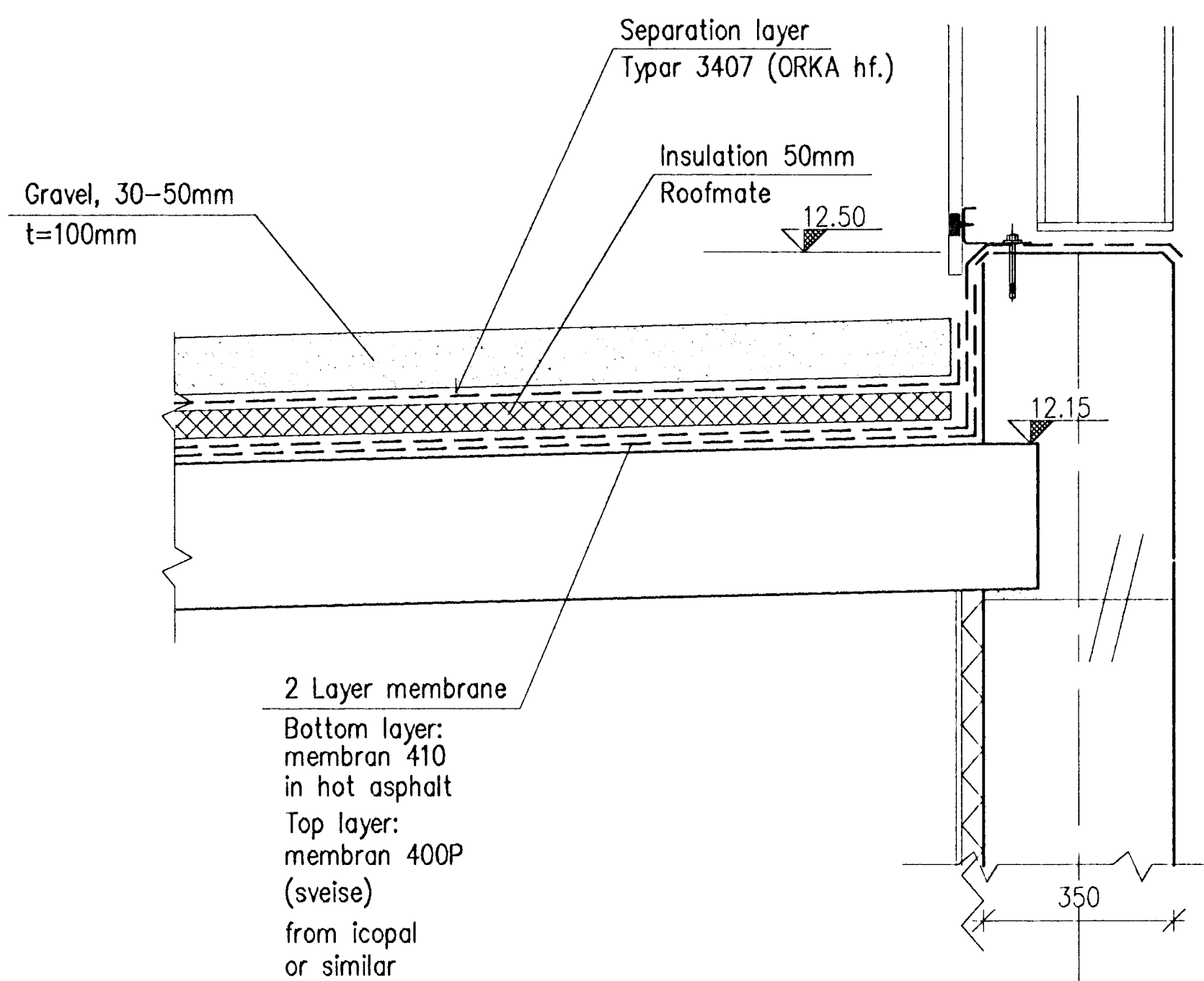
1/30



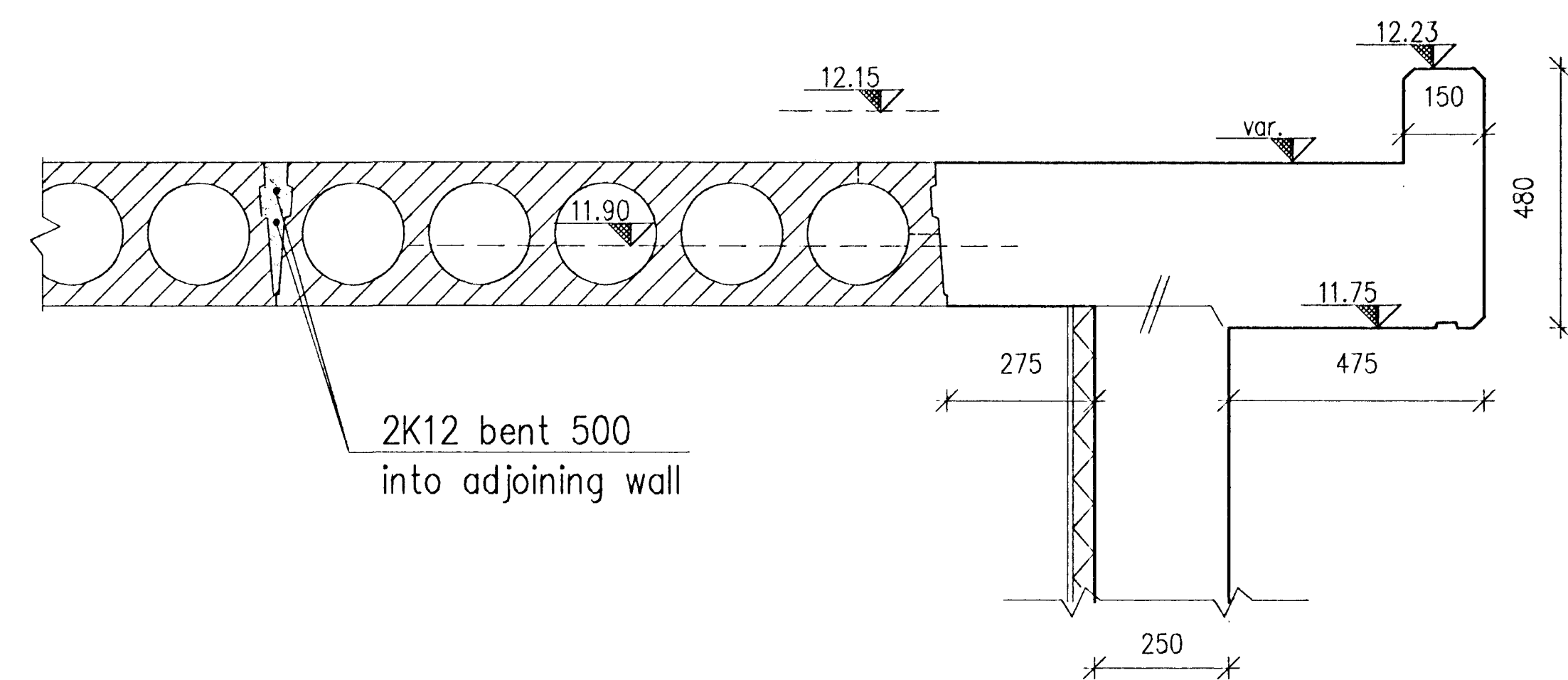
2/30



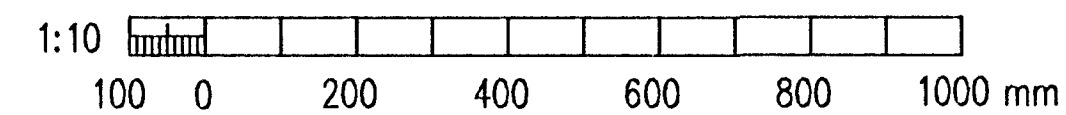
3/30



4/30



CONCRETE: C30/37-38-52 IN WALLS  
C40/50-10-52 BETWEEN PRECAST ELEMENTS



VST CONSULTING ENGINEERS Ltd.  
Armula 4 108 Reykjavik Iceland  
Tel: +354 569 5000 Fax: +354 569 5010

95.120 - 26.031

ICELANDIC ALUMINIUM COMPANY LTD.

SWITCHYARD AND MAIN SUBSTATION  
CONCRETE WORK  
ROOF DETAILS  
FORMWORK

ALUSUISSE ALESA  
ALUSUISSE ENGINEERING LTD.  
ZURICH SWITZERLAND

7900-35331

ICELANDIC ALUMINIUM CO. LTD

188.331

REV. NO.	DATE	REVISION	BY	APP.	REV. NO.	DATE	REVISION	BY	APP.	NOTES	REFERENCE DRAWING	DRAWING NUMBER
2	1998.07.10	APPROVED FOR CONSTRUCTION	FGS	A.I.								
1	1998.06.14	DETAIL CHANGES	FGS	A.I.								

This drawing is our property and given for personal use only. It may not be copied or made available to others without our permission. The receiver is responsible for any misuse.