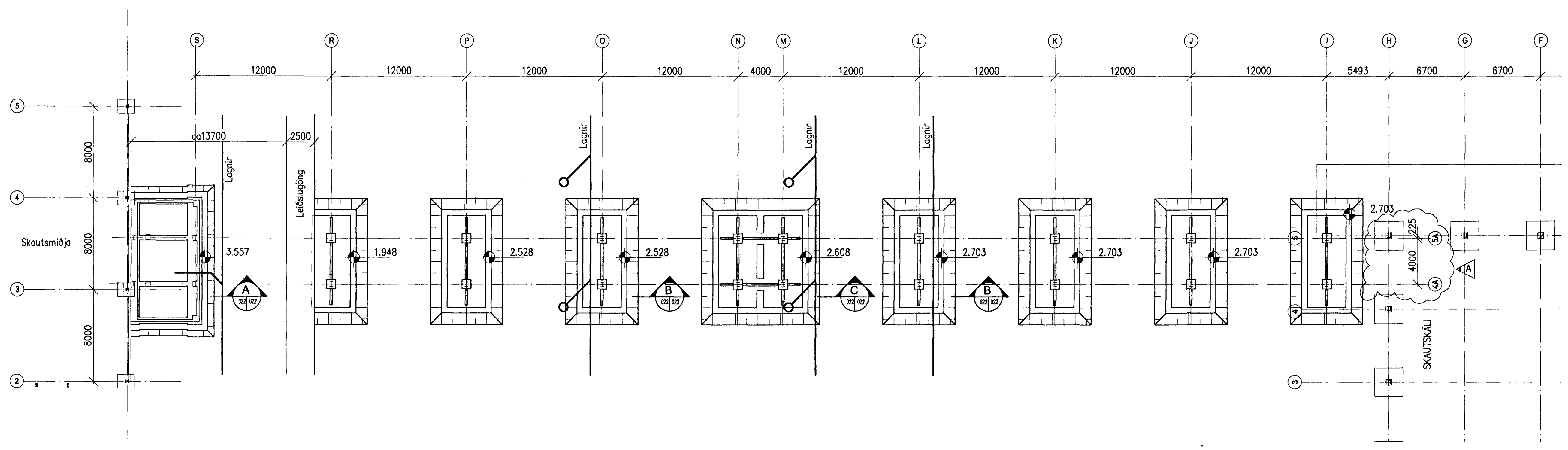
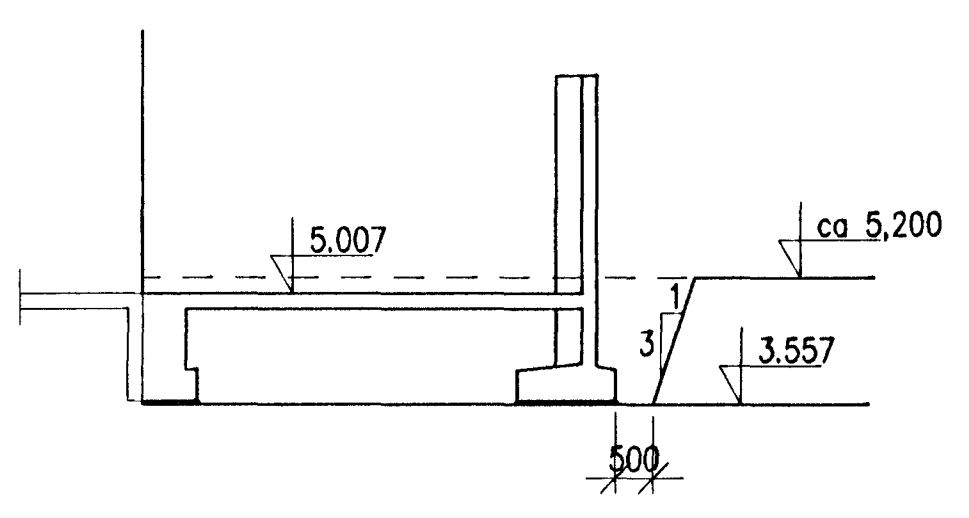


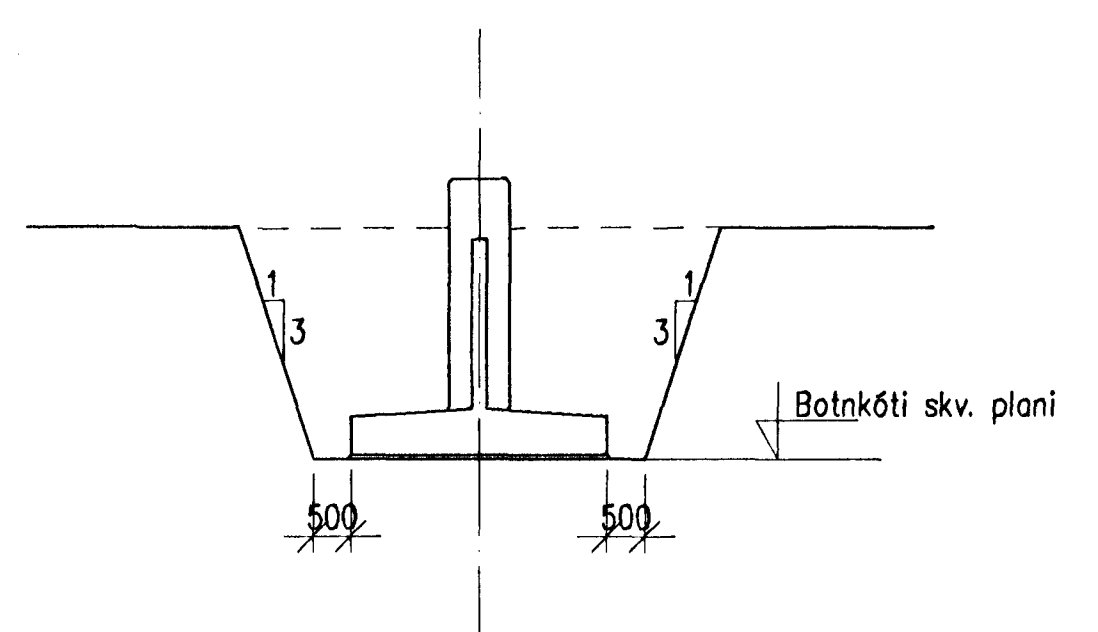
Grunnmynd
M 1:50



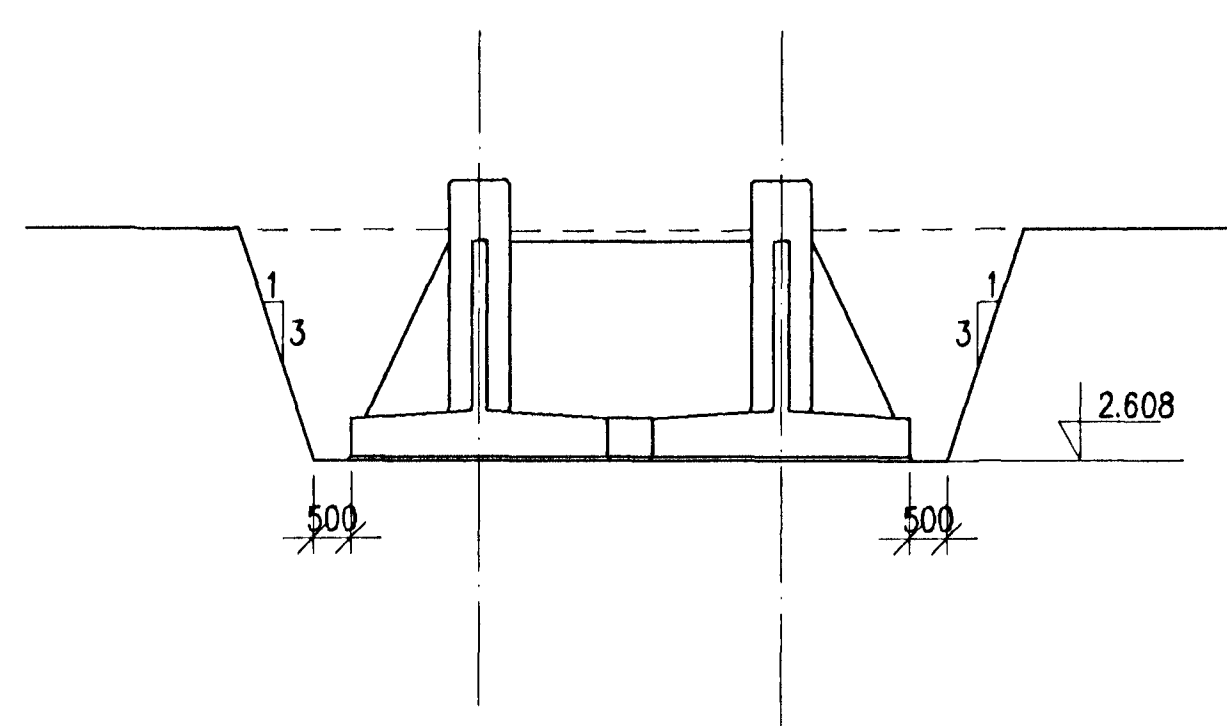
A Snið
M 1:100



B Snið
M 1:100



C Snið
M 1:100



Samþykkt þann
20 APR 2001
Byggingáttulitun f Hafnarfirði
Fh. Sigurbjartur Halldórsson

VERK
NOT
SAMM
SKYRING

Skýringar:
Explanations:

This drawing is the property of the ICELANDIC ALUMINIUM CO. LTD. and handed out for personal use only. It may neither be copied nor made available to others without permission of the ICELANDIC ALUMINIUM CO. LTD. The receiver is liable for any misuse.

Fjöldi stúkja Number of pieces	Hlutur Object	Alnám Item	Efni Material	Eq. stk Weight (kg)	Ítalaf. heiti Form of org.	Athugasemdir Remarks	
IV III II I	ISAL - Flutningur skauta - Matshluti 83						
	Jarðvinna						
	Grunnmynd - Snið						
	Verkast / Supplier	Línuhönnun hf.					
Talning Drawn	MG	09.03.2001	Yfirfarið Checked	BH	23.03.2001	Sambýtt Approved	
Breyt. Rev.							
Tilvitnir Ref. drawing no. of ISAL		Samb. / Approved		Dag. Date		Núll. heiml. Released	
Tilvitnir nr. ISAL		Samb. teikningar nr. ISAL		Dag. / Date		Samb. / Approved	
166022		A		166022		A	