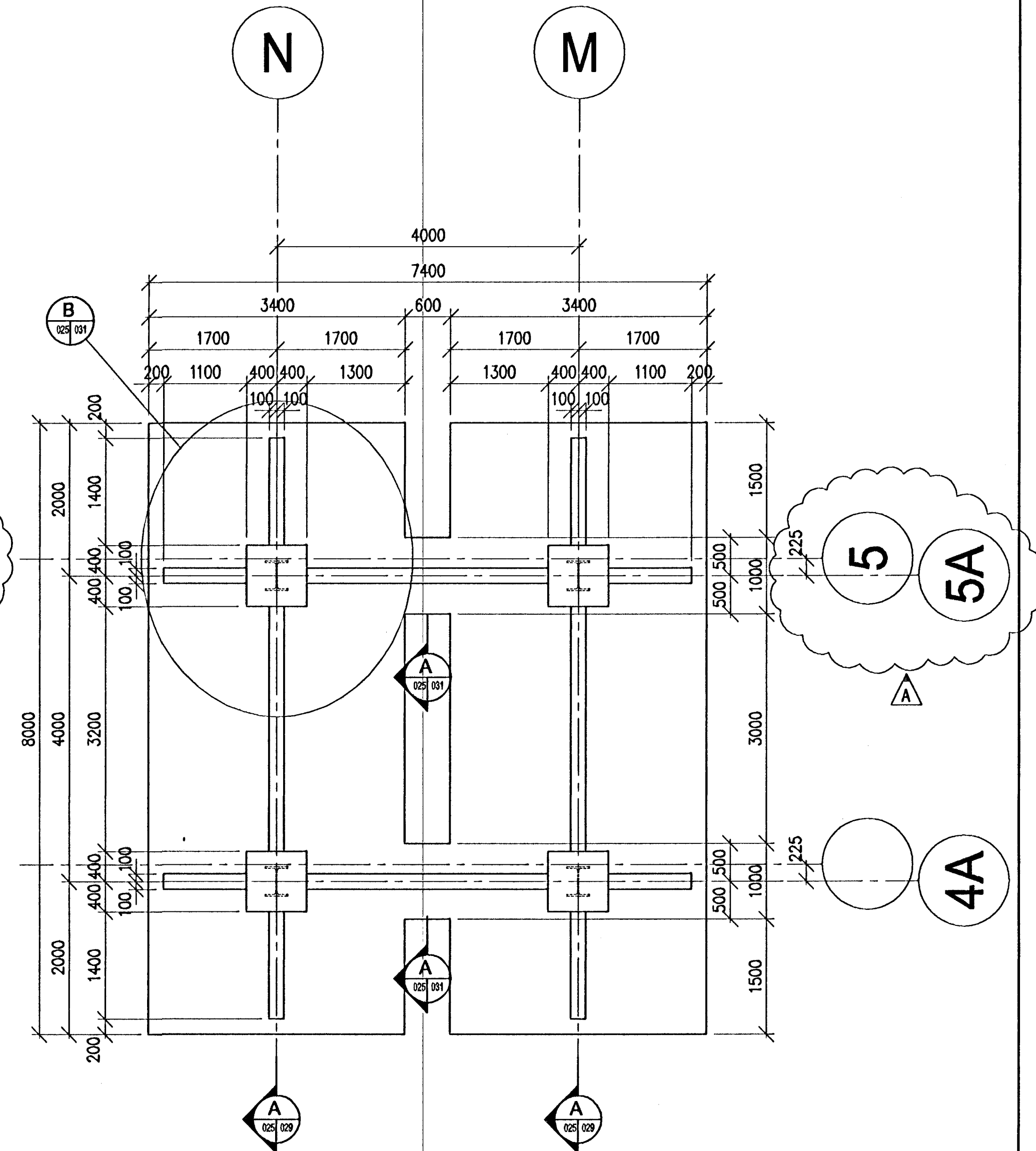
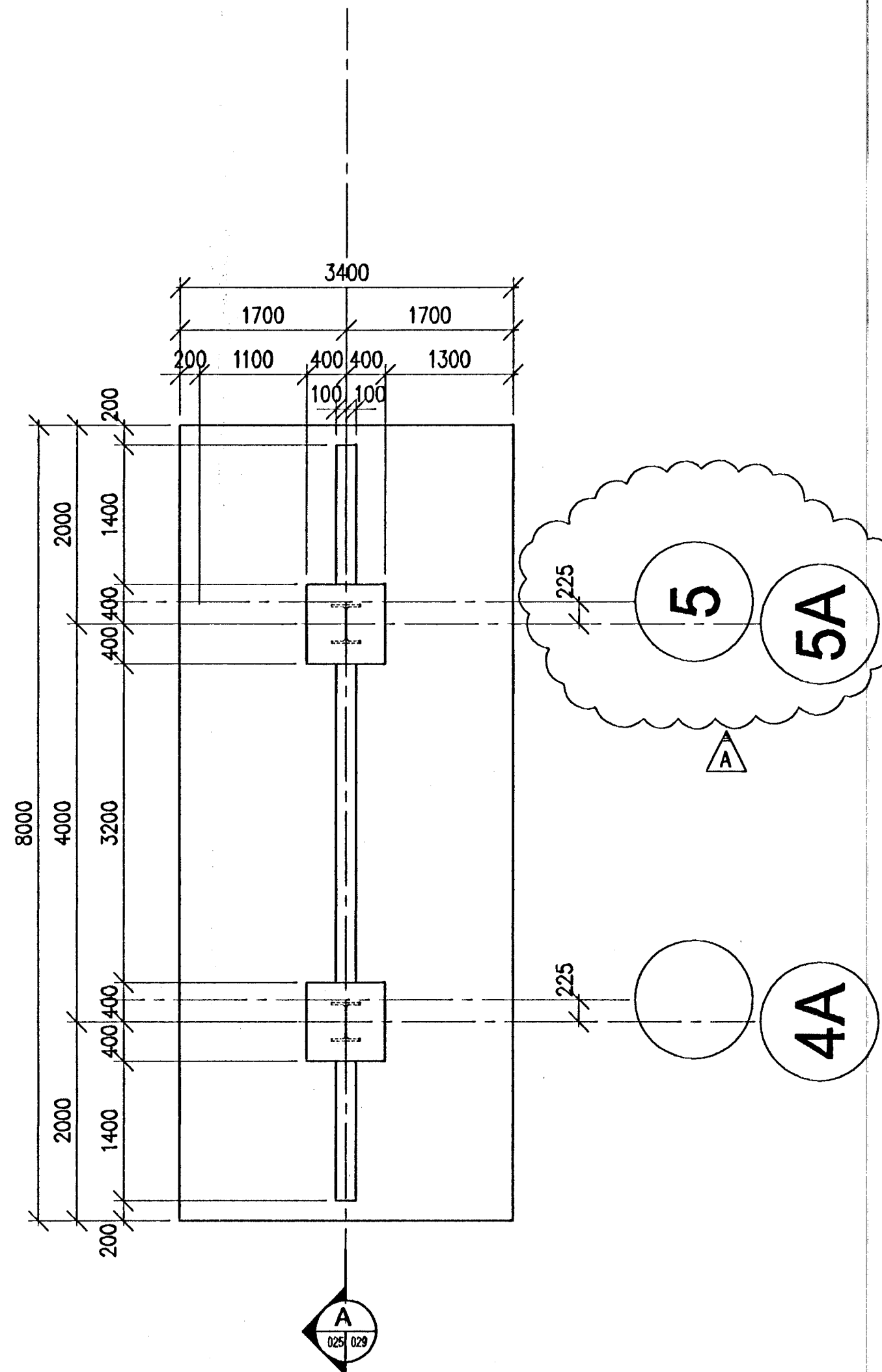
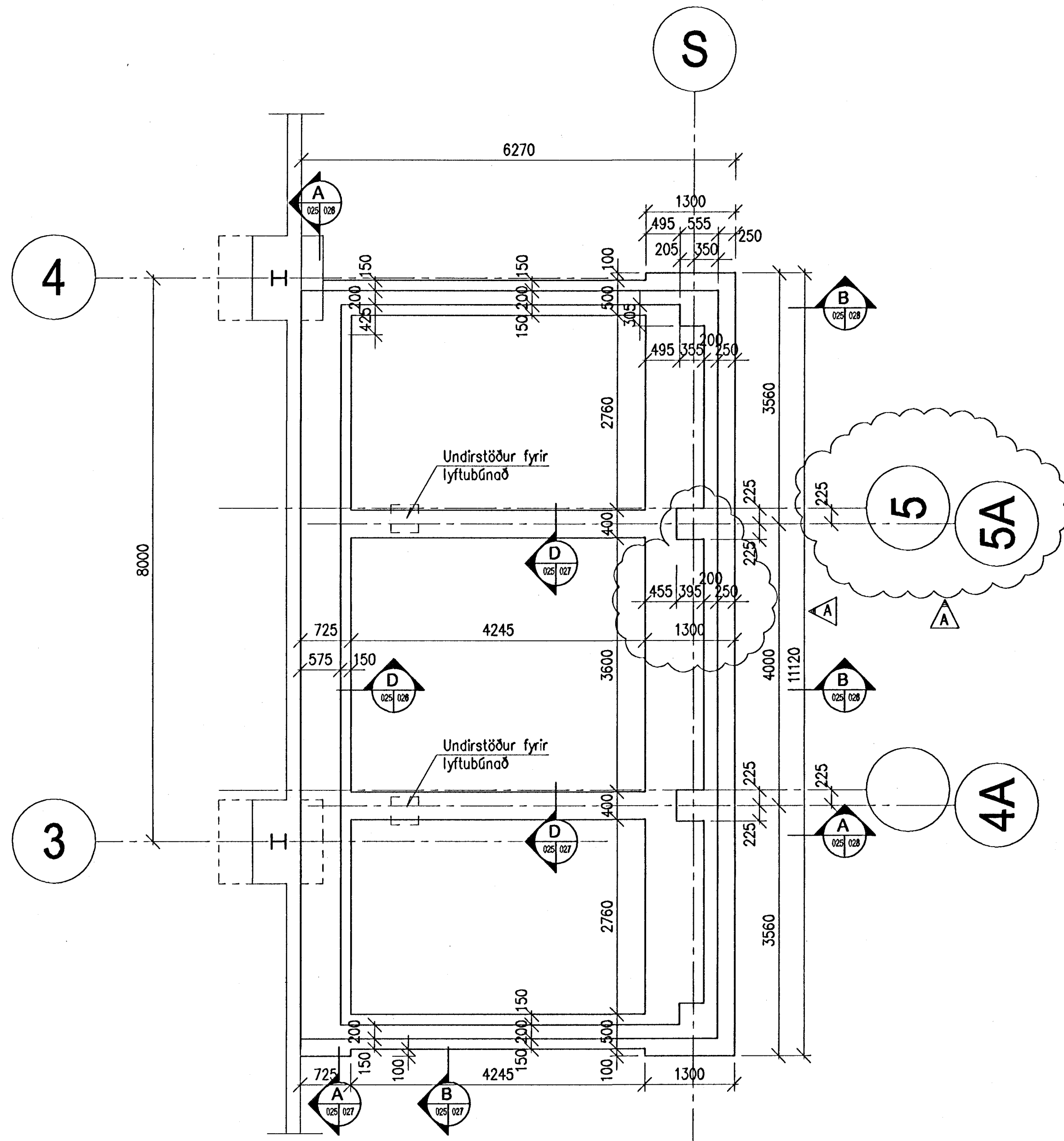


A MYND
024/025 M 1:50

B MYND
024/025 M 1:50

C MYND
024/025 M 1:50



GATTERIÐ

VERK:

MÓT

18.09.01

SAMM

SKYRING

Samþykkt þann
20 APR 2001
Byggingaáttuðun í Hálfarfréi
Eh. Sigurbjartur Halldórsson

Skýringar: Steinsteypa Skýringablað sjá teikningu nr. 166023
Explanations:

Breyt. Rev.	Daga Date	Samþ. Approved	Mjlk. heimil. Released
A	23.03.2001	BH/mg	

This drawing is the property of the ICELANDIC ALUMINIUM CO. LTD. and handed out for personal use only. It may neither be copied nor made available to others without permission of the ICELANDIC ALUMINIUM CO. LTD. The receiver is liable for any misuse.

Fjöldi stykka Number of pieces	Hútur Object	Atrúli Item	Efni Material	ea.: stk Weight (kg)	Ítal: f. held Total: f. held	Athugasemdir Remarks
IV III II I	ISAL - Flutningur skauta - Matshluti 83					Mækkvart Scale 1:50
	Undirstöður					Stærð frumtekn. Format of orig. A1
	Yfirlitsmynd - Grunnmynd					CCno.-Eqtype-Eq.no.
	algroup alusulssó		icelandic aluminium co. ltd. p.o. box 244 is 222 hafnarfordur, iceland			166025 A

Tilv. teikningar nr. ISAL
Ref. drawing no. of ISAL

Samsettn. teikningar nr. ISAL
Assembly drawing no. of ISAL

