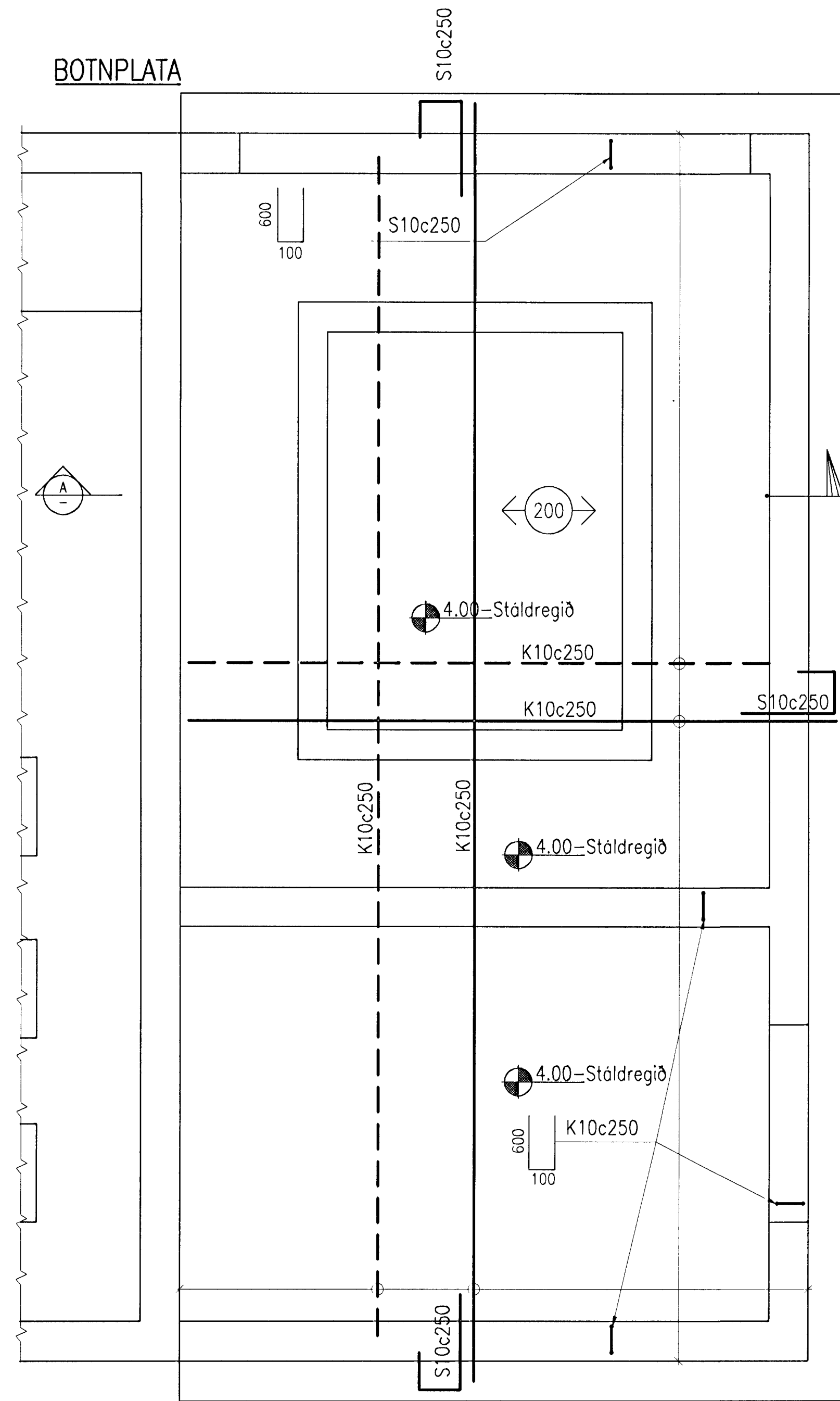
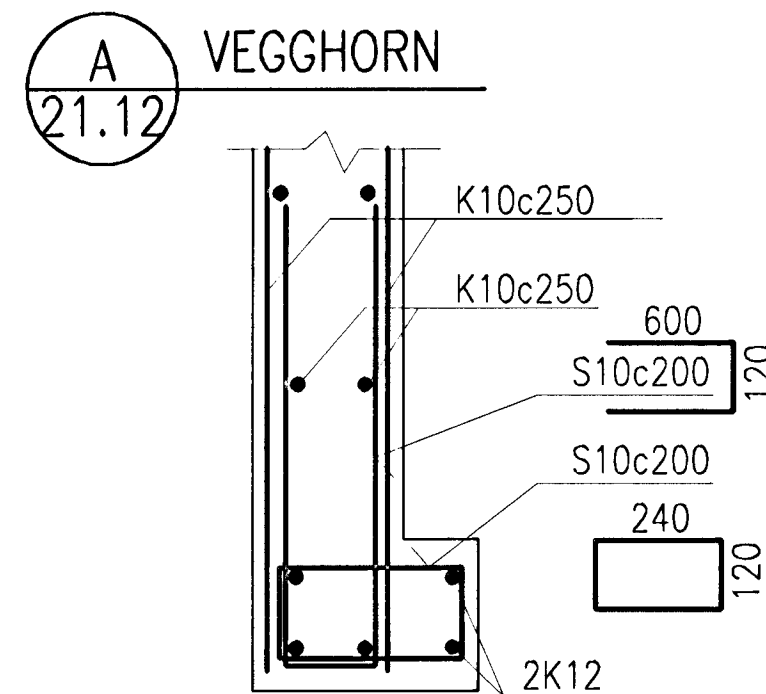
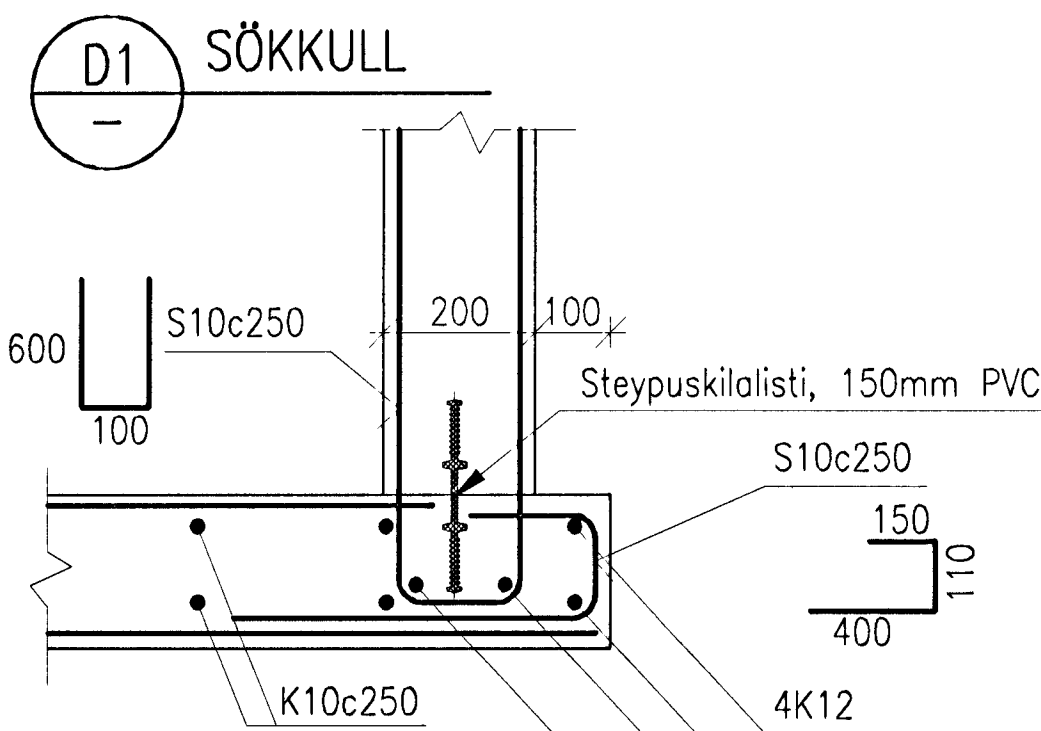
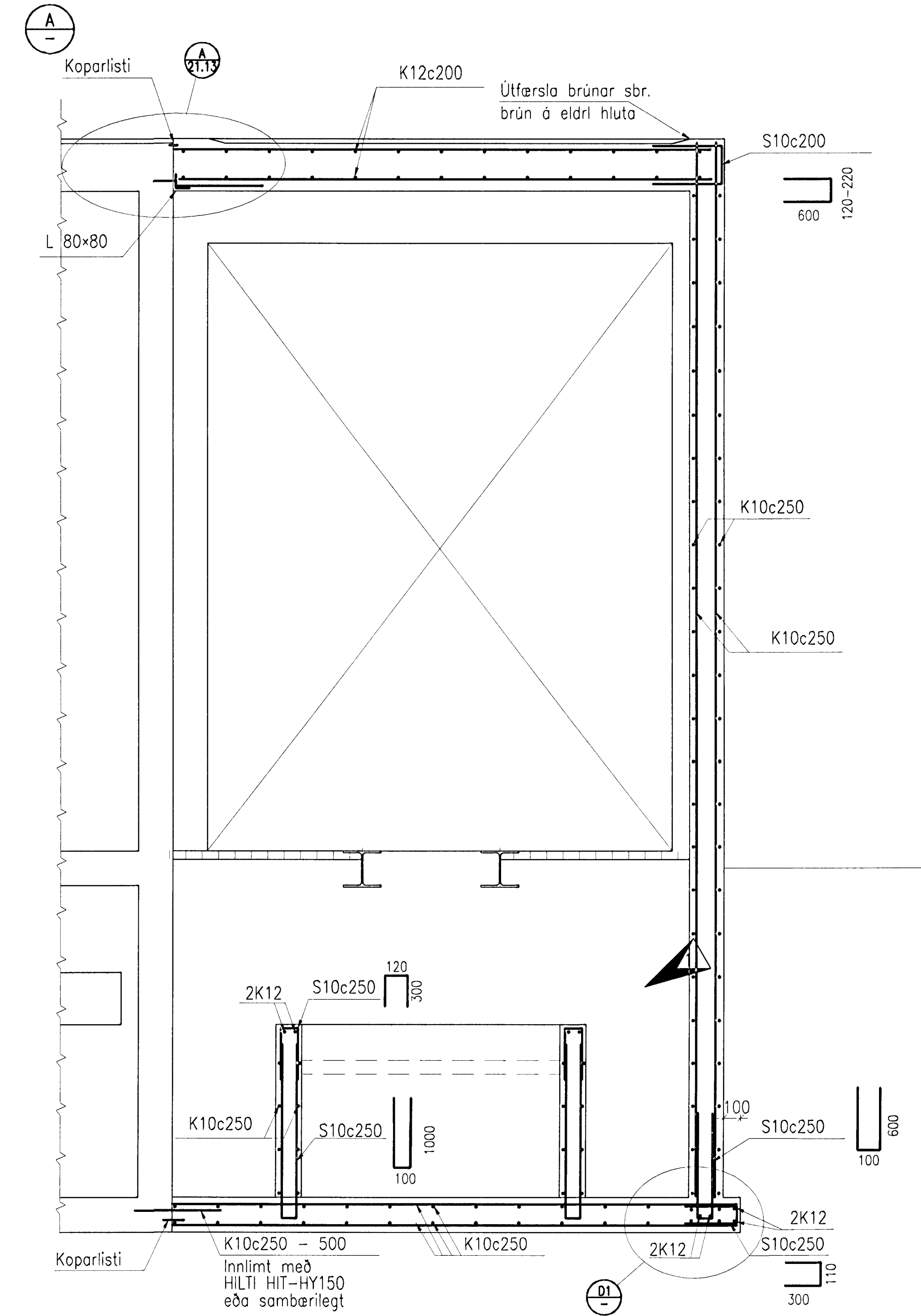
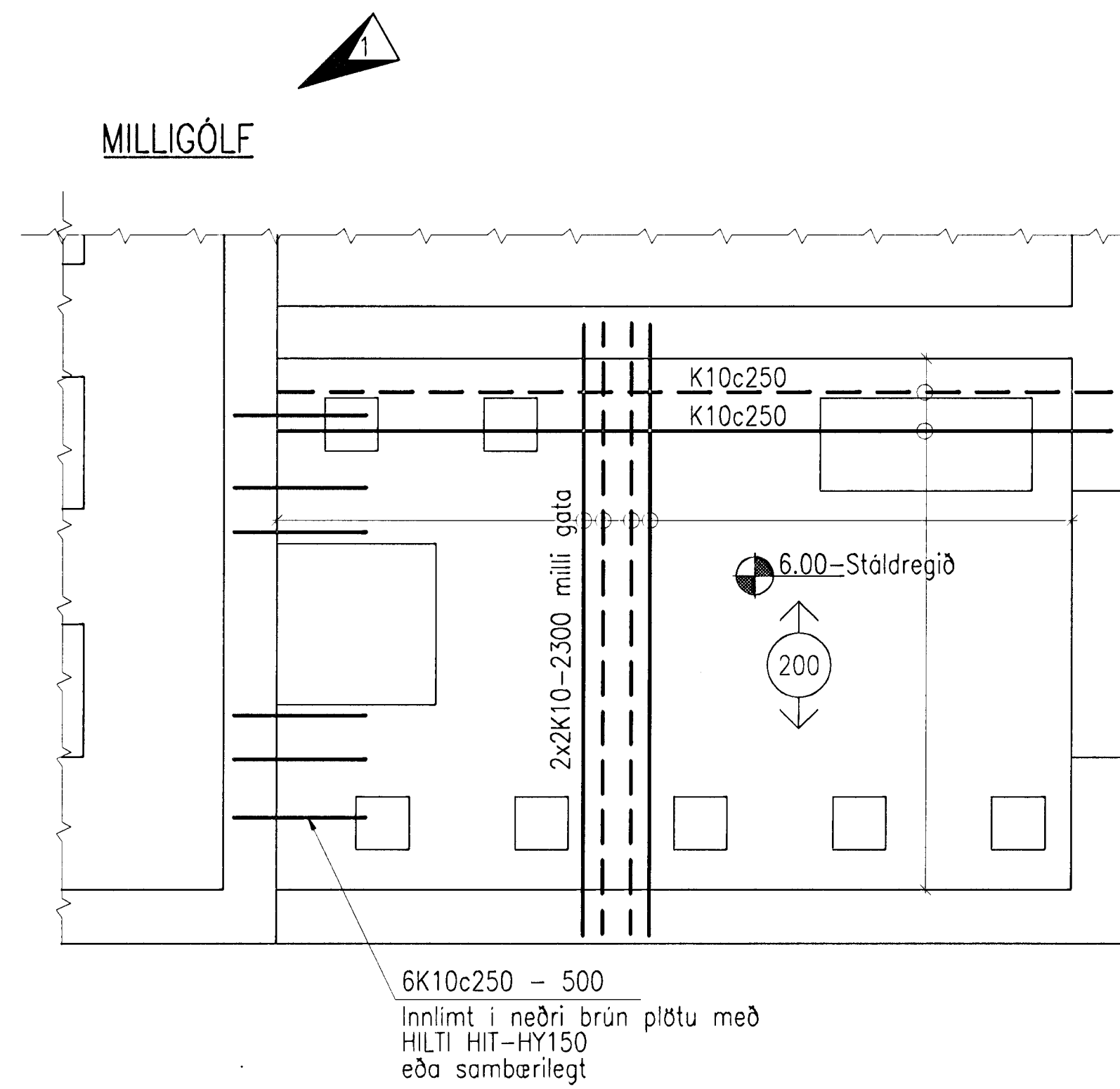


BOTNPLATA



MILLIGÓLF



Skýringar:
Explanations:

1	GÖTUM BREYTT	6.9.2000	EVV	NI
Breyt. / Rev.	Breyting / Revision	Dagur / Date	Gerð / Made by	Sambýkt / Approved
Túlkning nr. ISAL / Refdrawing no. of ISAL		Samsetning nr. ISAL / Assembly drawing no. of ISAL		

This drawing is the property of the ICELANDIC ALUMINIUM CO. LTD. and handed out for personal use only. It may neither be copied nor made available to others without permission of the ICELANDIC ALUMINIUM CO. LTD. The receiver is liable for any misuse.



Fjöldi stúka / Number of pieces	Hútur / Object	Atriði / Item	Efni / Material	Þyngd / Weight (kg)	Stofn / Factory	Athugasemdir / Remarks
IV III II I	DREIFISTÖÐ 71					
	STÆKKUN					
	BURÐARVIRKI, BOTNPLATA OG MILLIGÓLF					
	VST Verkfæðistofa Sigurðar Thoroddsen hf. <small>Árni 4, 108 Reykjavík Sími: 589 9000 Fax: 589 9010</small>		Stærð / Scale: 1:50 Stærð frumteikn. / Format of org.: A1 Önnur - Eftirfarandi: 4011 BA 1190		Stærð / Scale: 99.110-21.11 Stærð / Scale: 165370	
Tekniáhrif / Drawn	NI/EVV	JÓU 2000	NI		Sambýkt / Approved: <i>Nilsheidi</i>	Breyt./Rev.
Tekniáhrif / Drawn					Sambýkt / Approved: 165370	Breyt./Rev.

STEYPA: C30/37-25-S2-Ae

Samþykkt þann 23 OKT. 2000

Byggingafrúnnir í Hafnarfirði
Fh. Sigurbjartur Hallgrímsson