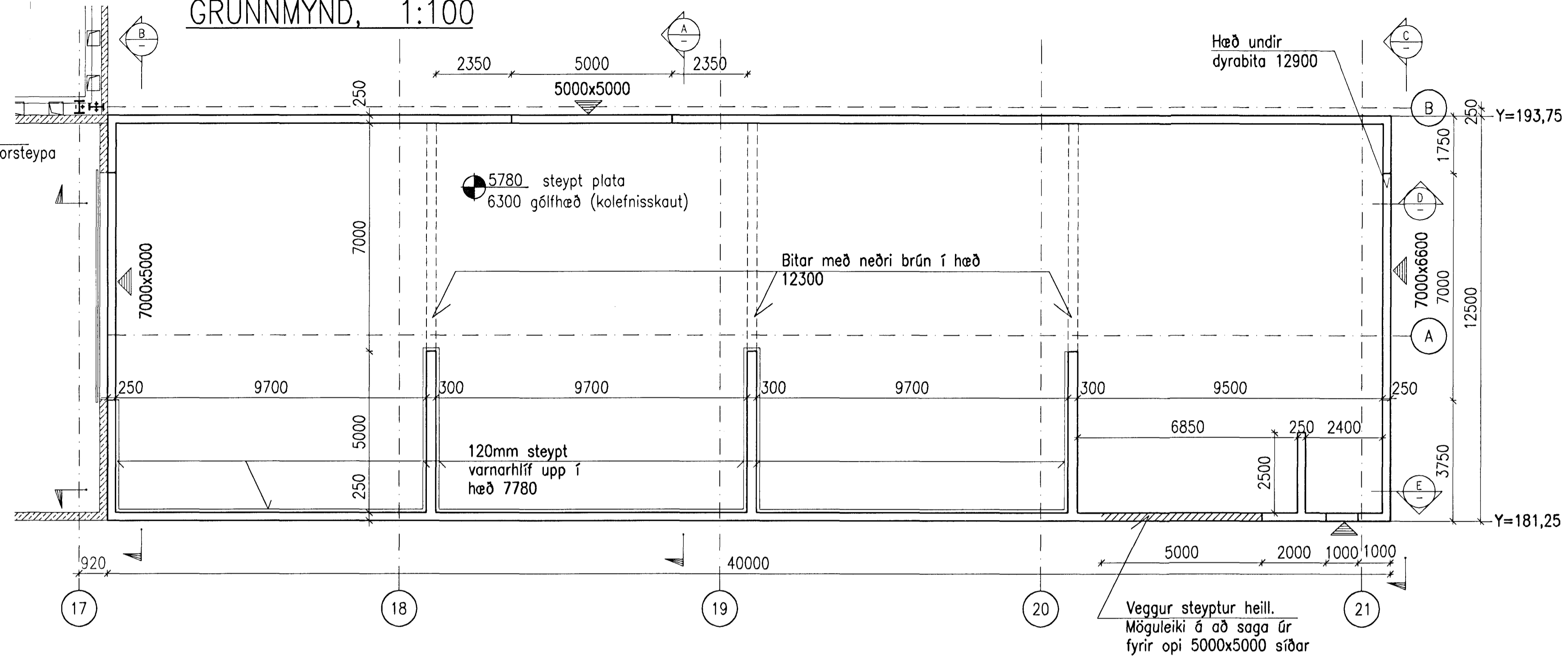
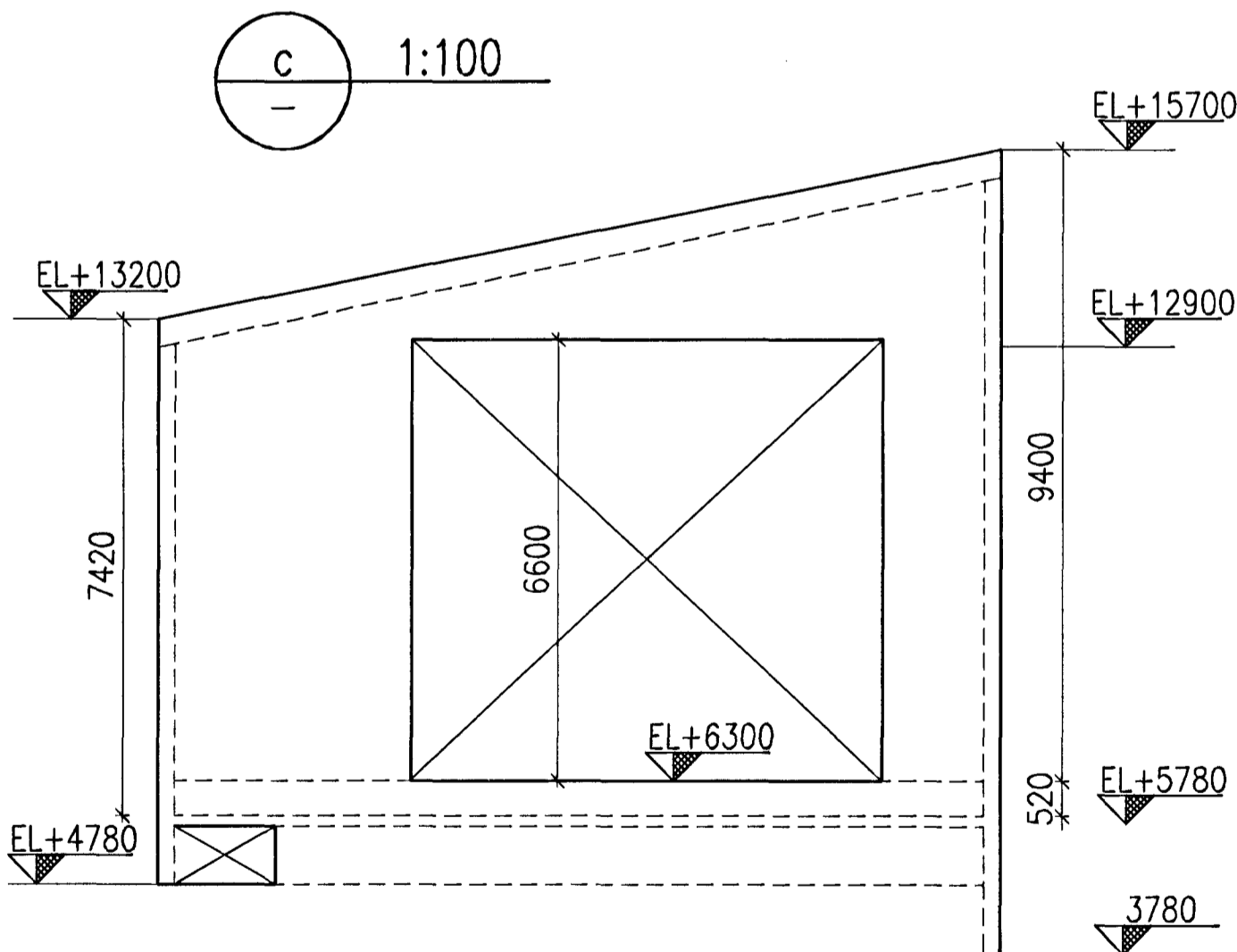
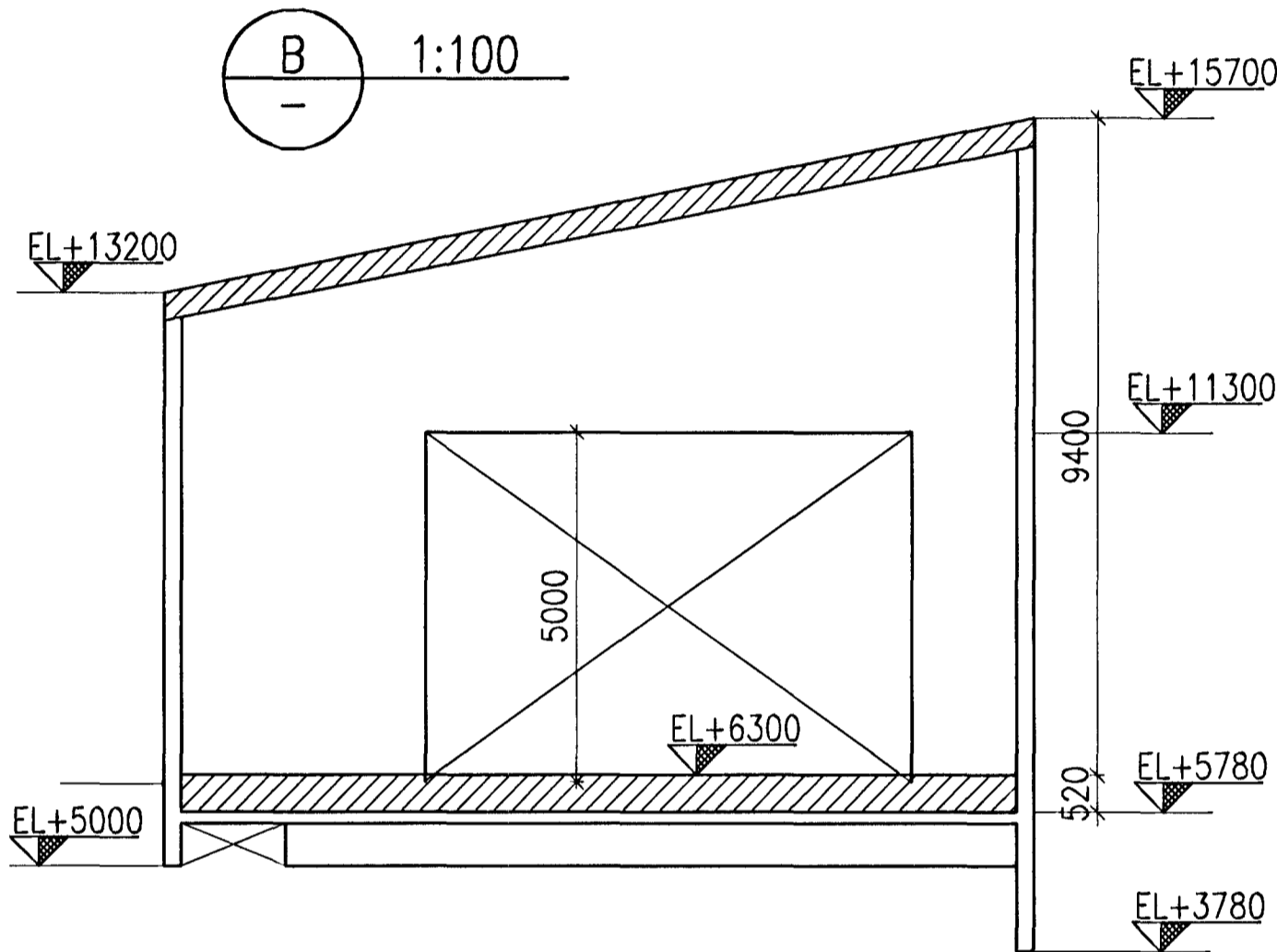
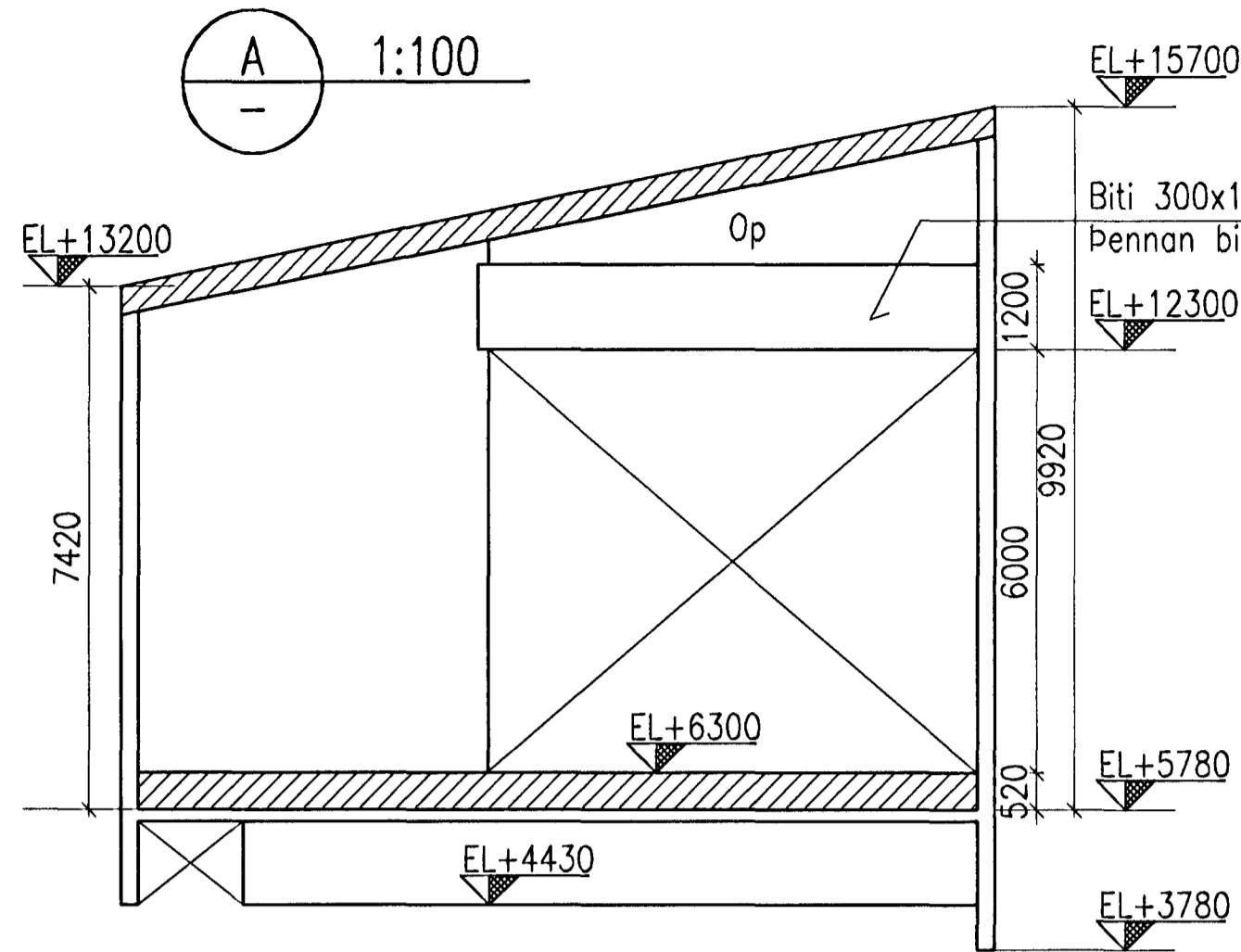
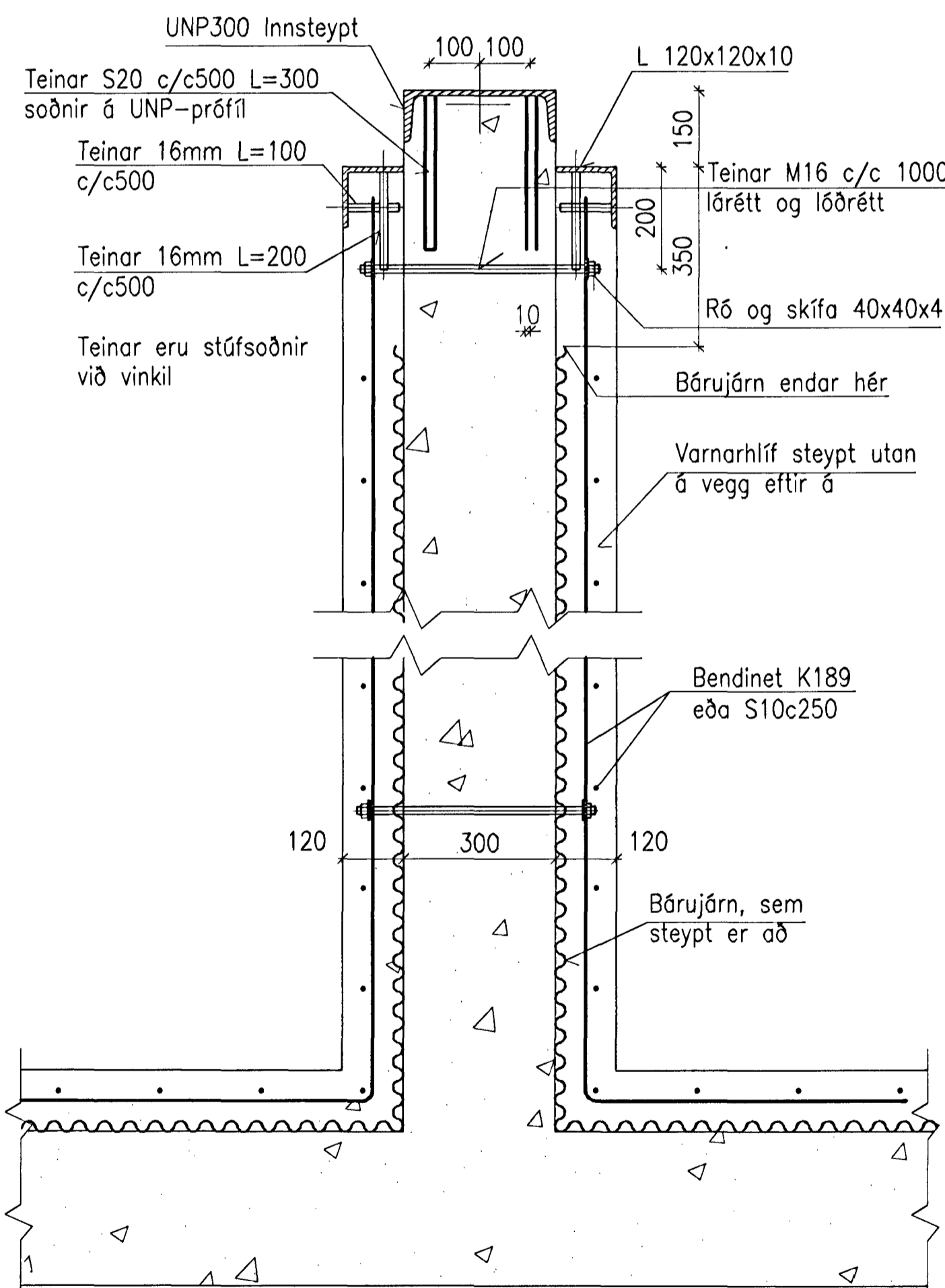


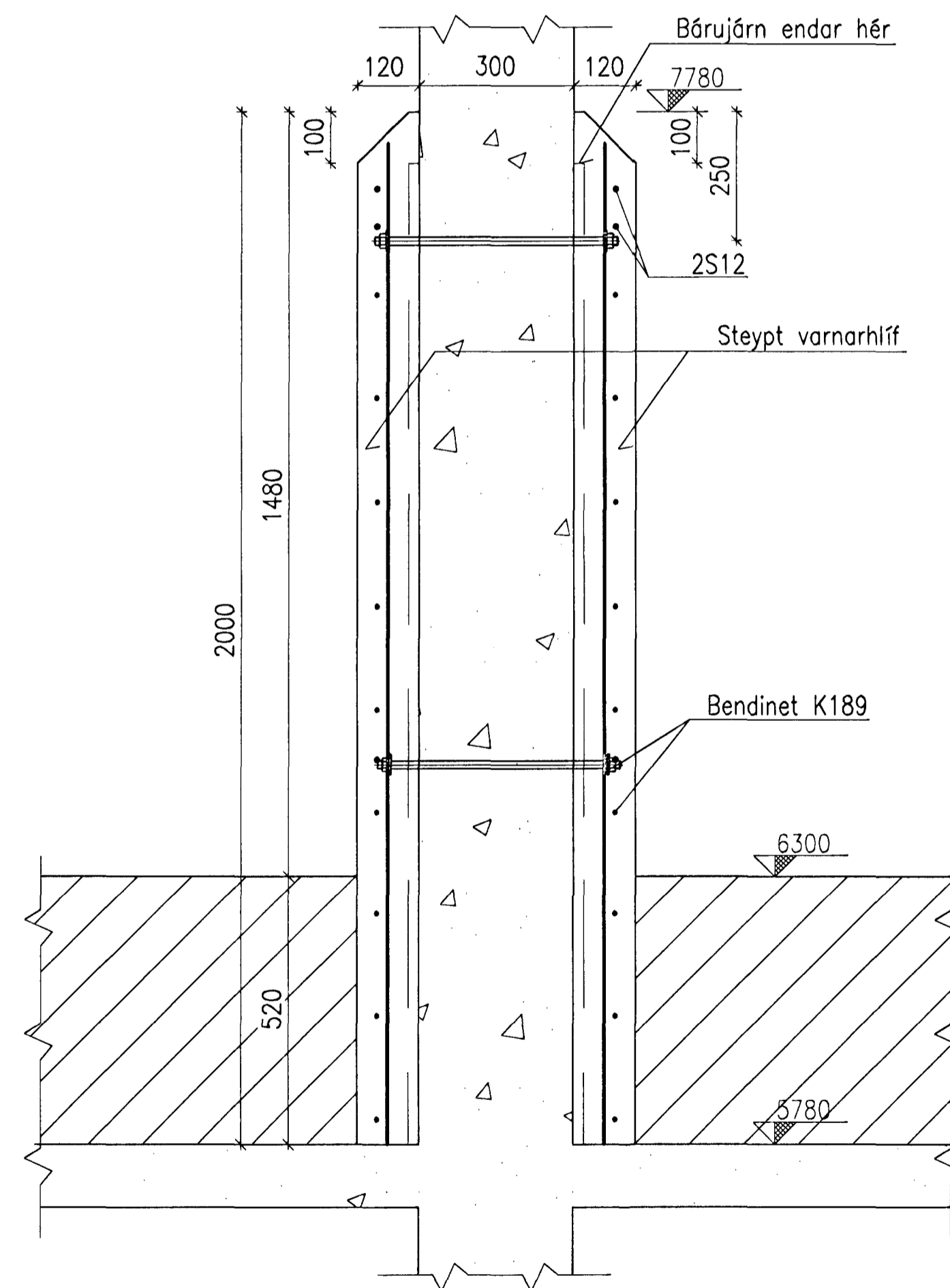
GRUNNMYND, 1:100



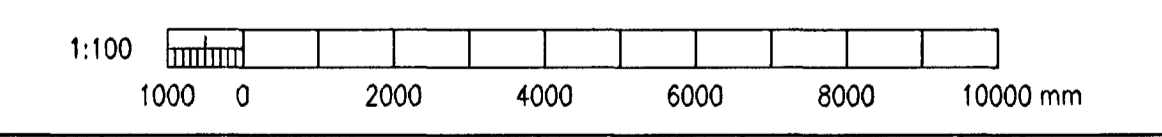
VARNARHLÍF LÁRÉTT SNID



VARNARHLÍF LÓDRÉTT SNID



Byggingafulfrúir Hamarjörku
Alfreitt Þann
26 MARS 2000
Samp. 20/3 2001
Sigurður Einarsson 090646-4869



J:\99-1xx\99110\Verkl 28-gjallhus\Teikn\t-burd\GJAL-165902A.dwg

Skýringar: Lóðarteikning 185390e
Explanations:

This drawing is the property of the ICELANDIC ALUMINIUM CO. LTD. and handed out for personal use only. It may neither be copied nor made available to others without permission of the ICELANDIC ALUMINIUM CO. LTD. The receiver is liable for any misuse.

Fjöldi stykja Number of pieces	Hiður Object	Almbí Item	Efni Material	Þyngd Weight (kg)	Althagssemdir Remarks
IV III II I	ÁLVERID Í STRAUMSVÍK				Málkvarði Scale 1:100
	GJALLGEYMSLA				Stærð frumteikn. Form of org. A1
	MÁLTEIKNING, GRUNNMYND OG SNID				CCno.-Eq type-Eq no. 6060BA 1229
	99.100-28.02				
	SÁ/SE 10.1.2001	Yfirráð Checked	NI		Sambýtt Approved Sigurður Einarsson
	algroup alusulisse				165902 A
	primary materials				
					20.03.01

VST Verkfræðistofa
Sigurður Thorsdóttir M.
Árni 10, 108 Reykjavík, Sími 208 2000, Fax 208 2019