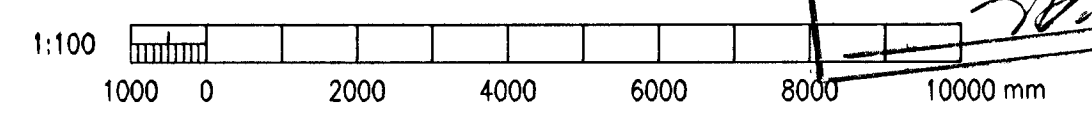
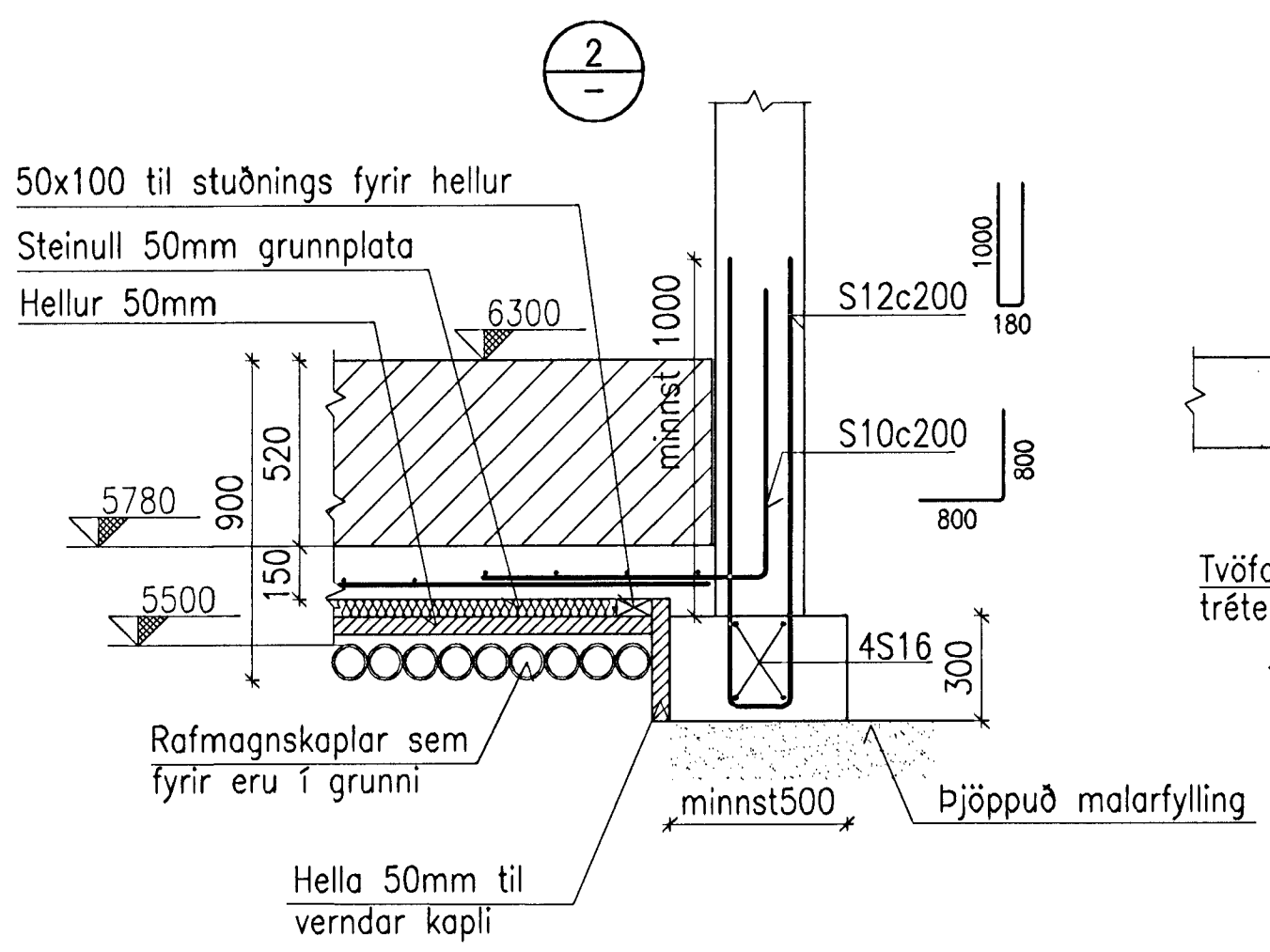
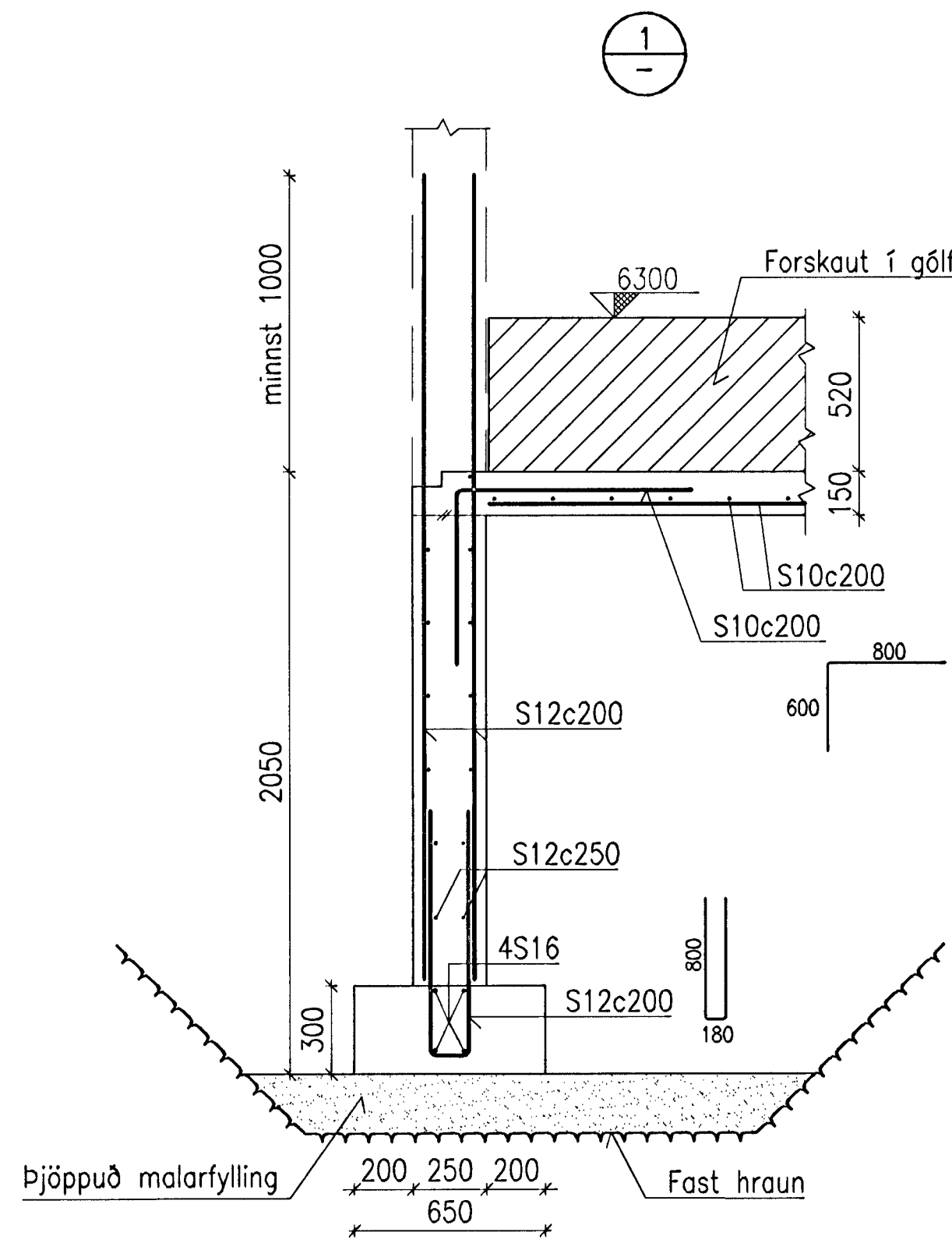
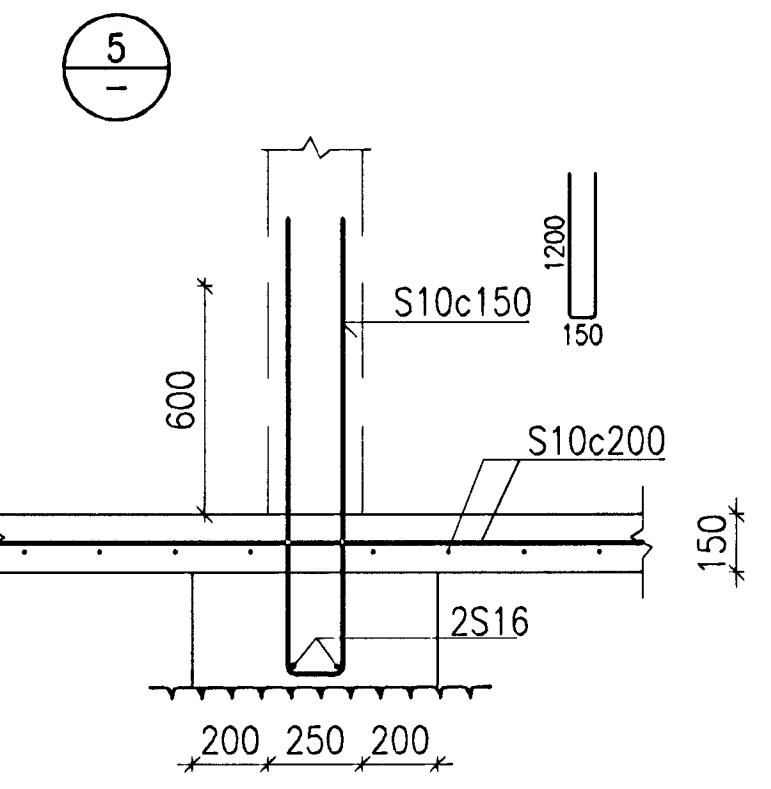
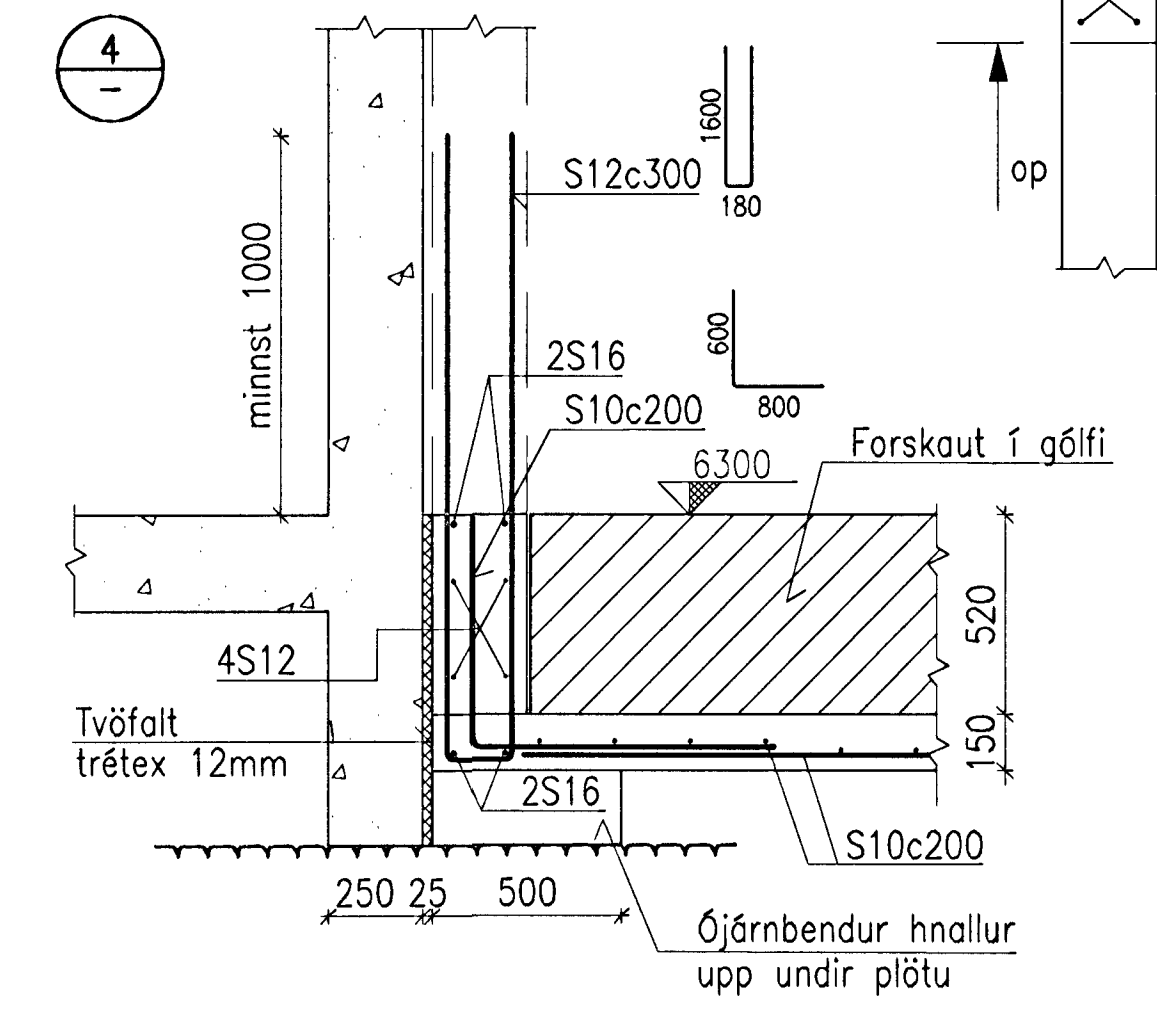
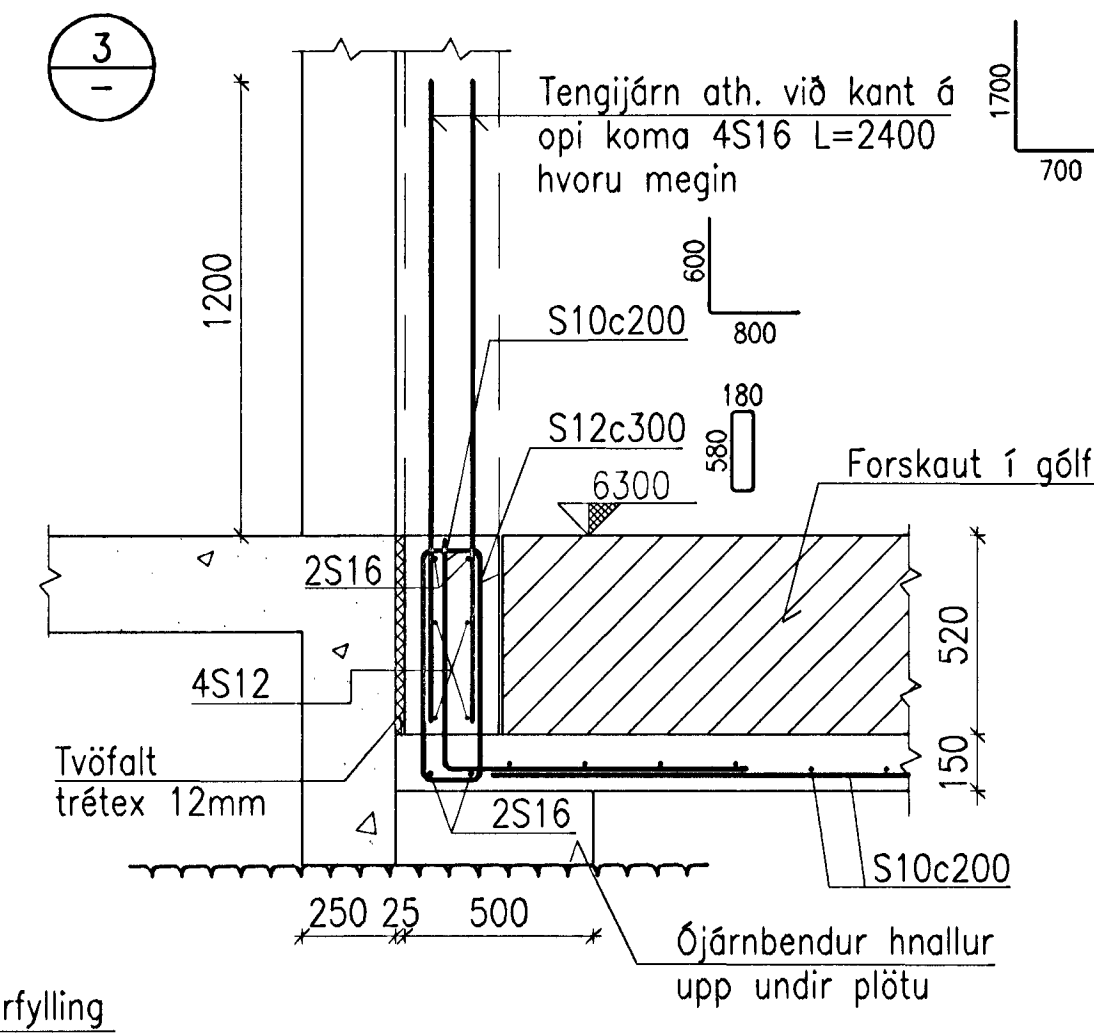
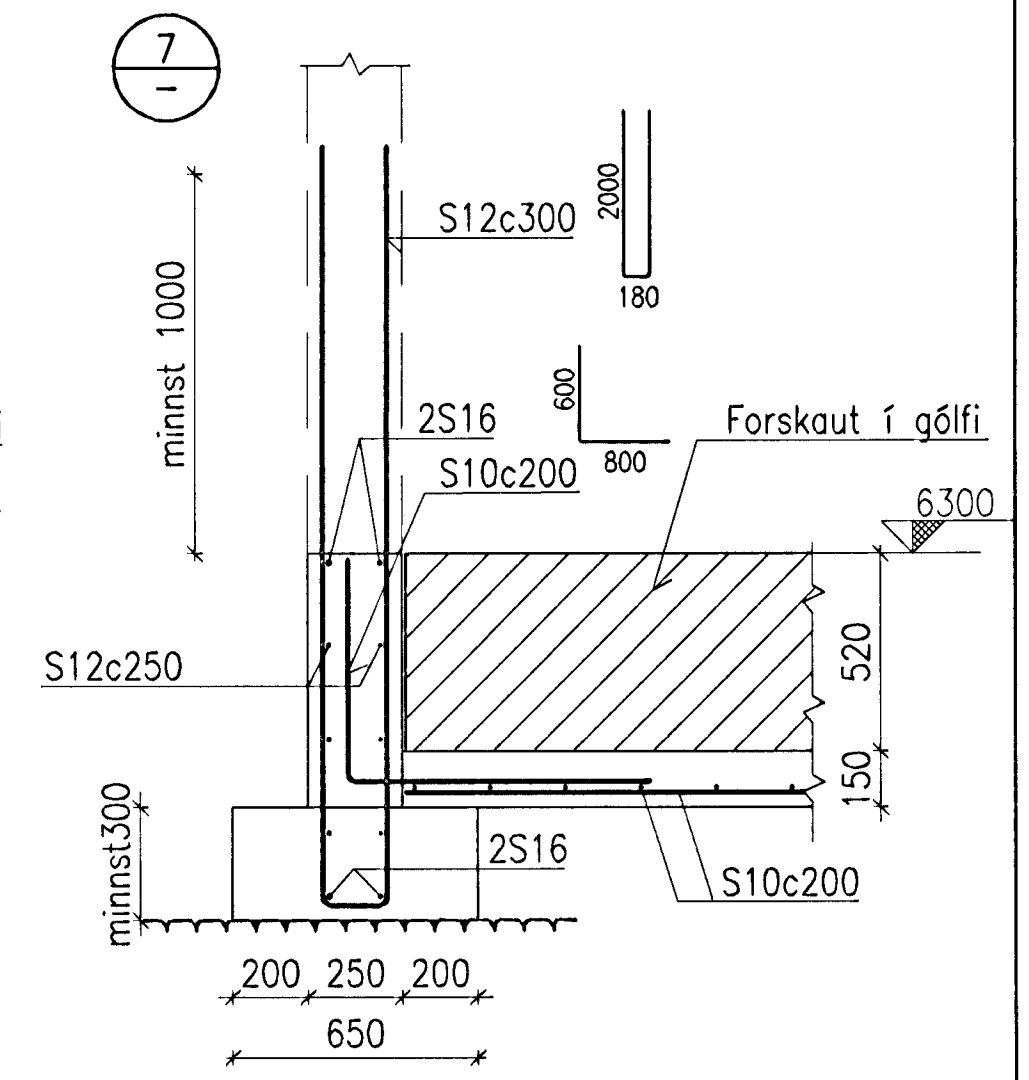
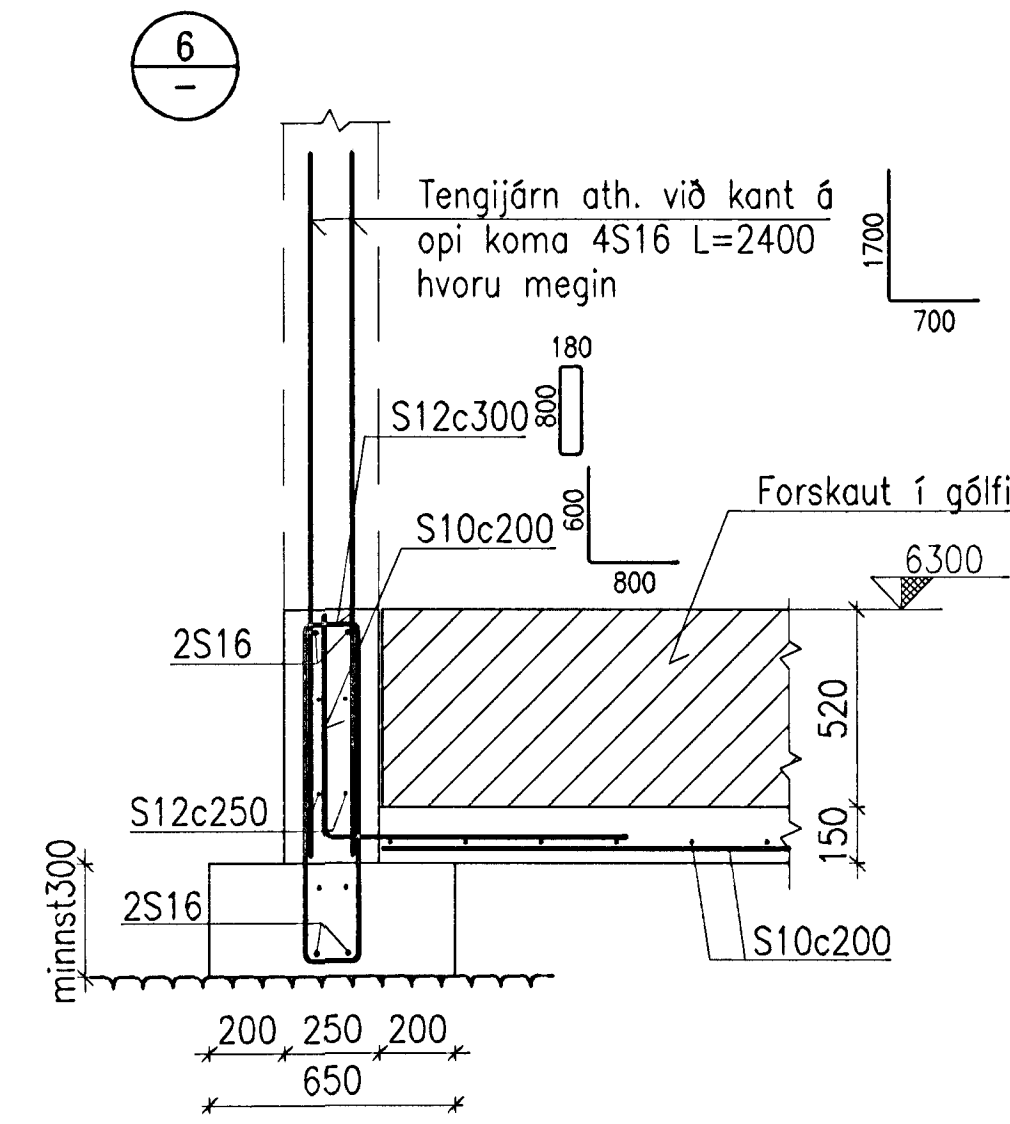
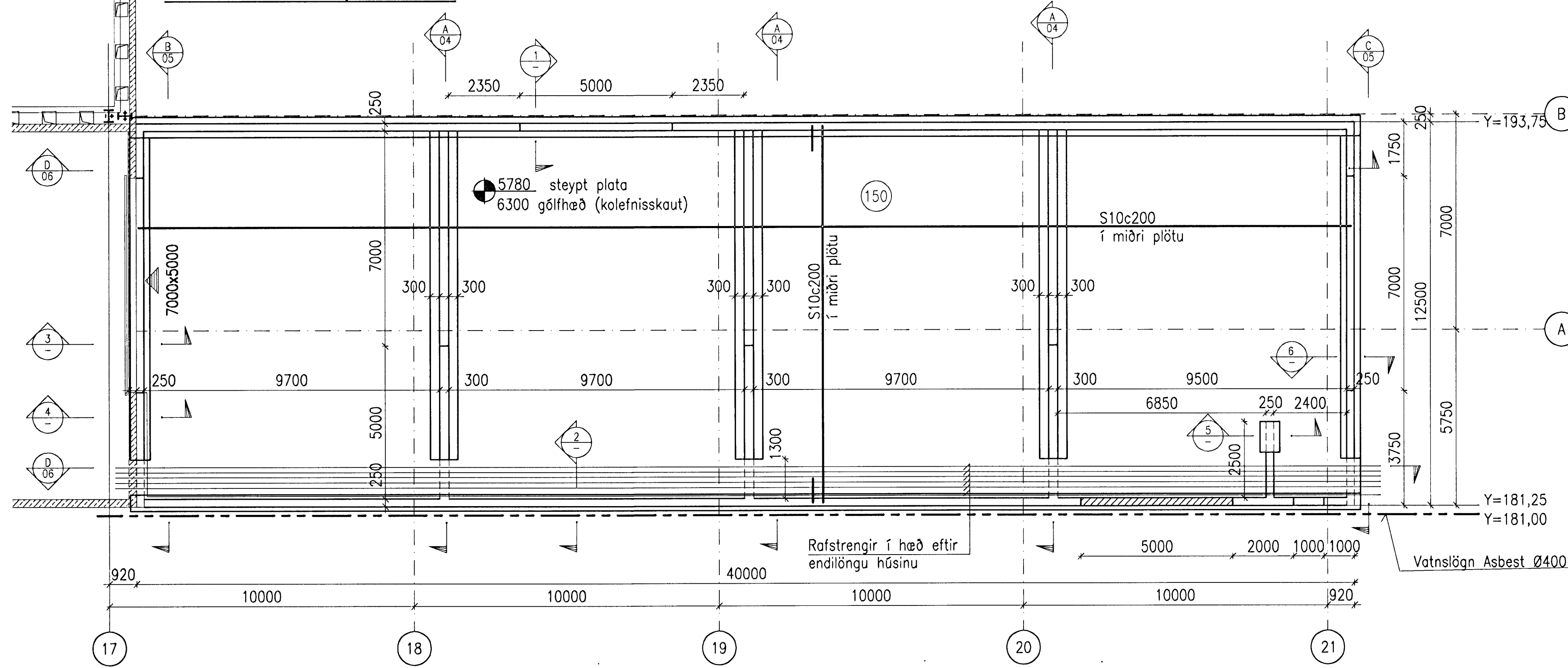


UNDIRSTÖÐUR, 1:100



Steypa: C25/30-19-S2-Ae

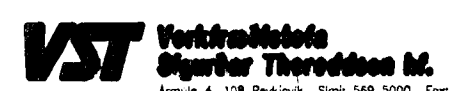
Byggingafræðistofa Háinnarjarvægi  
Algreitt þann  
26 MARS 2000

Skýringar: Lóðarteikning 185390e  
Explanations:

J:\{99-1xx\}99110\Verkl 28-gjallhus\Teikn\t-burd\GJAL-165903A.dwg

This drawing is the property of the ICELANDIC ALUMINIUM CO. LTD. and handed out for personal use only. It may neither be copied nor made available to others without permission of the ICELANDIC ALUMINIUM CO. LTD. The receiver is liable for any misuse.

Fjöldi stykkja Number of pieces	Hlutur Object	Atröð Item	Efni Material	eo.stk Weight	total.f. heild (kg) byrgd	Althugasemdir Remarks
IV III II I	ÁLVERID Í STRAUMSVÍK					1:100
	GJALLGEYMSLA					Stærð frumteikn. Format of org. A1
	UNDIRSTÖÐUR, GRUNNMYND OG SNID					CDno.-Eq.type-Eq.no. 6060BA 1229
	Verki / Supplier					99.110-28.03
Teiknað Drawn	SÁÁ/SE 10.1.2001	Yfirfarið Checked	NI	Sambýtt Approved		165903
Breyt. Rev.		Breyting Revision	Dags. Date	Samb. Approved	Notk.hælm. Released	A
Teiknað Drawn		Yfirfarið og þj.ð. Checked and filed				Notkun heimil. Released
						SvS 20.03.01



Tilteikningar nr. ISAL Ref.drawing no. of ISAL

Samsetn.teikningar nr. ISAL Assembly drawing no. of ISAL

