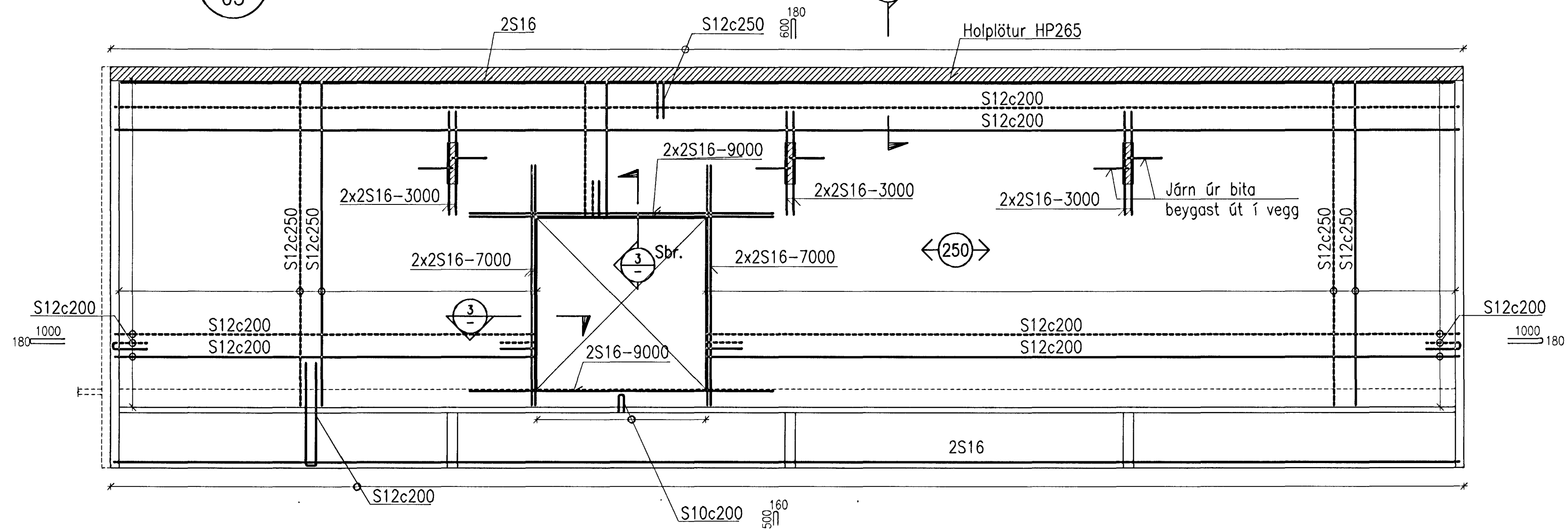
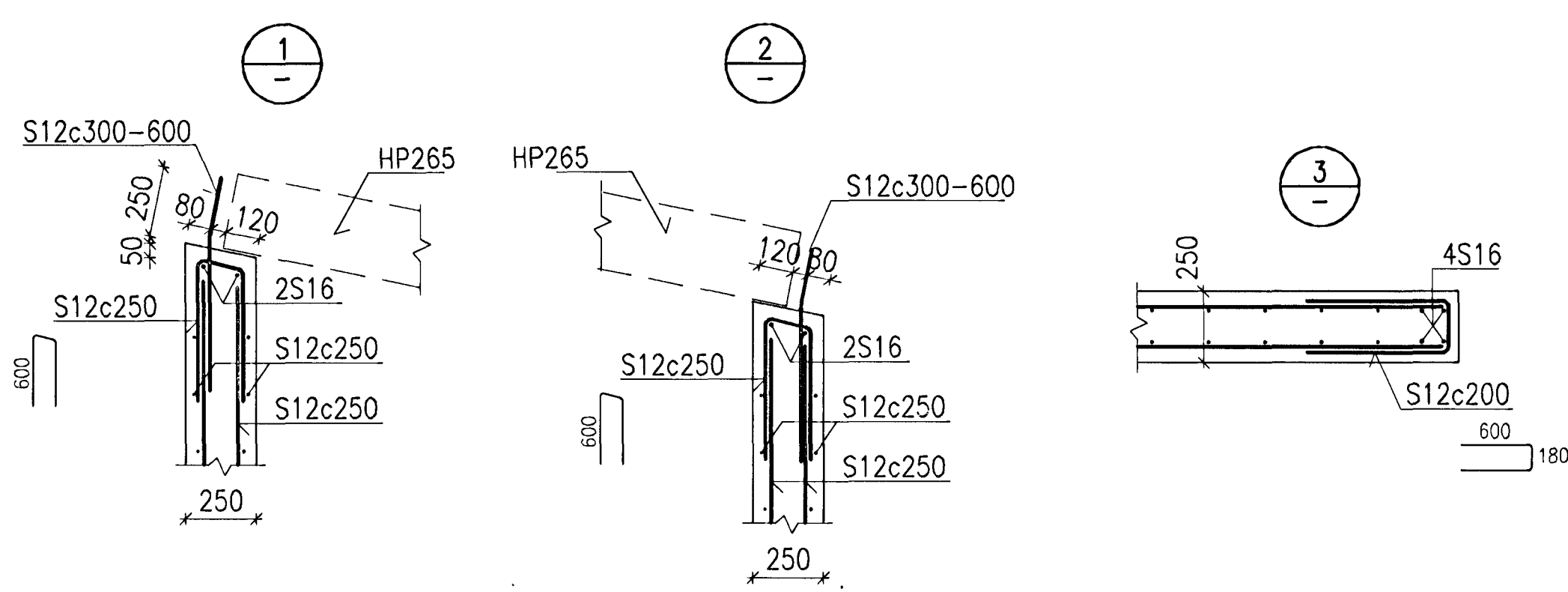
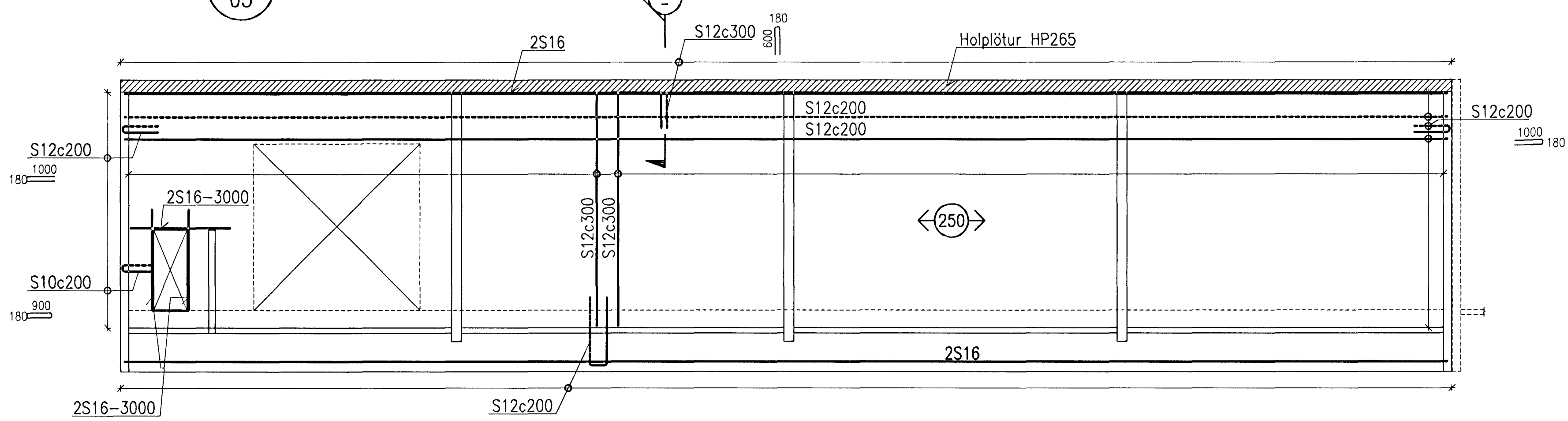


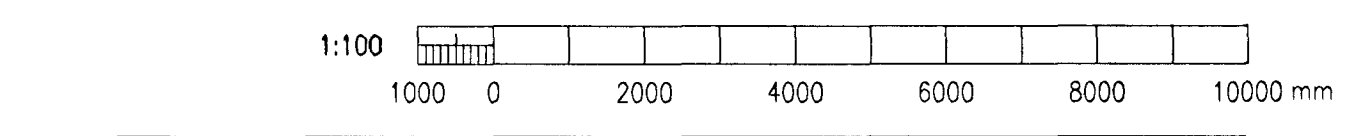
D
03
ÁSYND 1:100



E
03
ÁSYND 1:100



Steypa: C20/25-19-S2-Aa



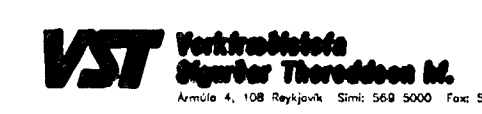
Samp. 2013 2001 Sjávarútvegur Eignarfélagið 096646-4869

J:\{99-1xx}\991110\Verkhl 28-gjallhus\Teikn\t-burd\GJAL-165906A.dwg

Skýringar: Lóðarteikning 185390e
Explanations:

This drawing is the property of the ICELANDIC ALUMINIUM CO. LTD. and handed out for personal use only. It may neither be copied nor made available to others without permission of the ICELANDIC ALUMINIUM CO. LTD. The receiver is liable for any misuse.

| | | | | | | |
|---|---|---|------------------|--|---------------------|--|
| Fjöldi stykja Number of pieces | Hlutur Object | Almúli Item | Efni Material | eo.stk Total | hæld Weight (kg) | Althugasemdir Remarks |
| IV III I I I | ALVERID I STRAUMSVIK | | | | | |
| | GJALLGEYMSLA | | | | | Málfráði Scale 1:100 |
| | HLIDARVEGGIR- JÁRNBENDING, ÁSYND D OG E | | | | | Stærð frumteikn. Format of orig. A1 |
| | | | | | | CCNo.-Eq.type-Eq.no. 6060BA 1229 |
| | | | | | | 99.110-28.06 |
| Teiknað Drawn | SÁÁ/SE 10.1.2001 | Yfirfarið Checked | NI | Sambýskt Approved | | S. Þorvaldur Þorvaldursson |
| algroup alusuisse primary materials | | | | icelandic aluminium co. ltd. p.o. box 244 is 222 hafnarfordur, iceland | 165906 | A |
| Teiknað Drawn | | Yfirfarið og þjétt Checked and filed | | | | Nafnun heimilís SVS 20.03.01 |



Tíu teikningar nr. ISAL Ref.drawing no. of ISAL
Samsættenteikningar nr. ISAL Assembly drawing no. of ISAL