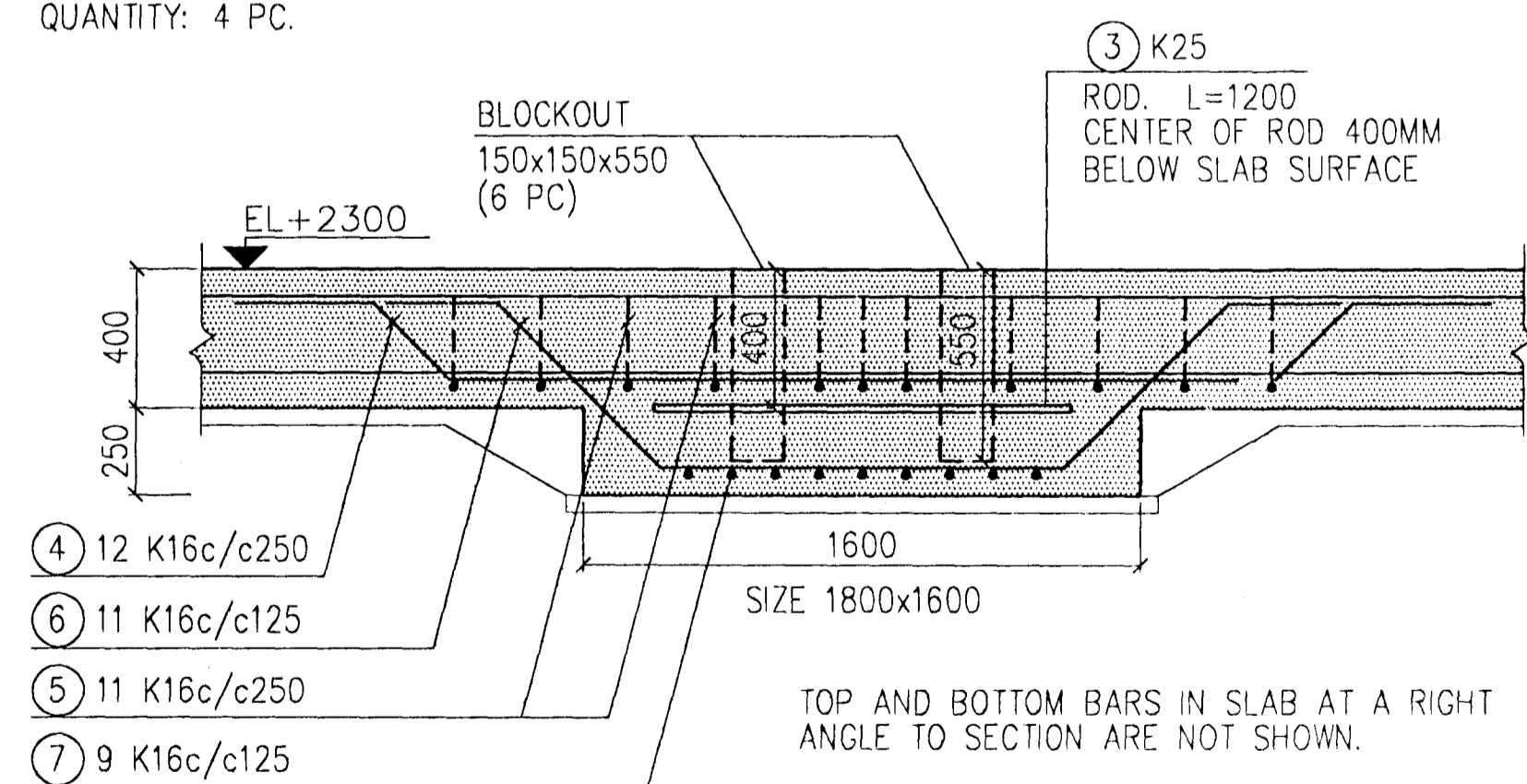
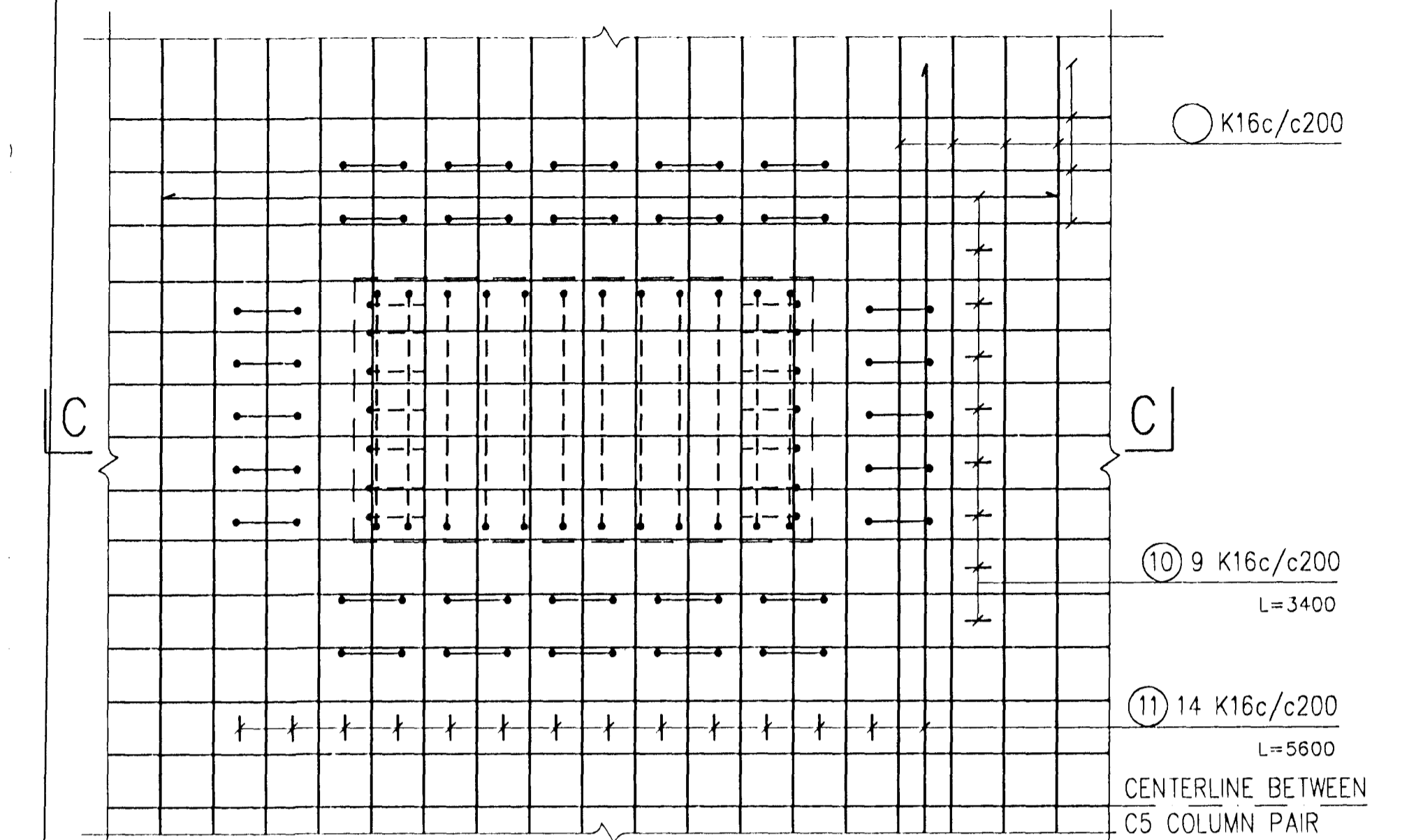


FOUNDATIONS FOR FURNACE JACKS (F.J.). 1:20

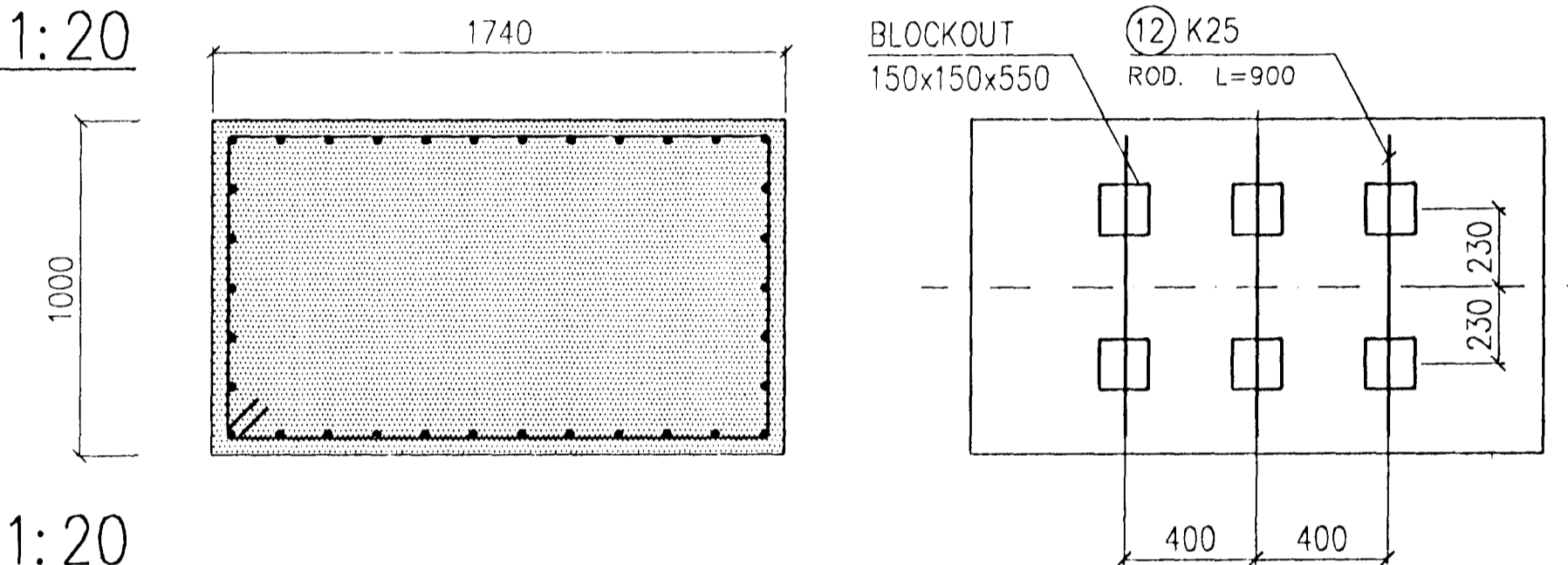
QUANTITY: 4 PC.



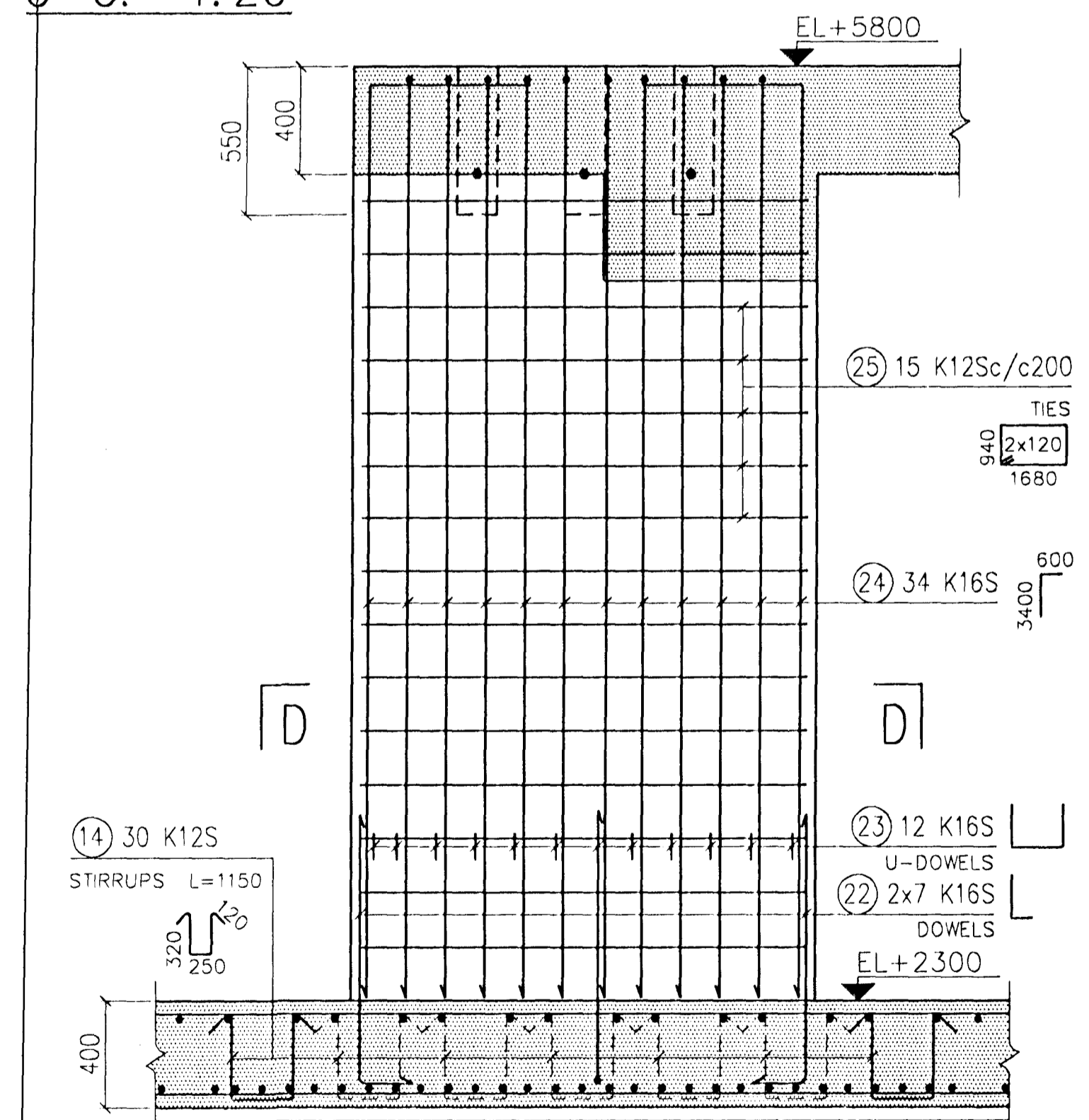
COLUMN C5. EXTRA BOTTOM BARS. SHEAR REINFORCEMENT. 1:20



D-D. 1:20



C-C. 1:20



REV. NO.	DATE	REVISION	BY	APP.	REV. NO.	DATE	REVISION	BY	APP.	NOTES	REFERENCE DRAWING	DRAWING NUMBER	REVISION
2 B	3.11.1997	AS BUILT		UH									
1	15.8.1996	ISSUED FOR CONSTRUCTION		UH									
0	20.5.1996	ISSUED FOR TENDER											

This drawing is our property and given for personal use only. It may not be copied or made available to others without our permission. The receiver is responsible for any misuse.

ICELANDIC ALUMINIUM COMPANY LTD.

ALESUENGINEERING LTD. ZÜRICH SWITZERLAND

DRAWN 30.4.1996 HHH
APPROVED 30.4.1996 UH
PROCESS
PROJECT
SCALE 1:50
FORMAT A1

CASTHOUSE EXTENSION
STRUCTURAL
EXTRA REINFORCEMENT IN BASEMENT SLAB.
COLUMNS C4 & C5. FOUNDATIONS FOR F.J.

79000-34212

193.412

2

A

VERKFRÆÐISTOFAN ÖNN SF.
TÆKNITHJONUSTAN SF.