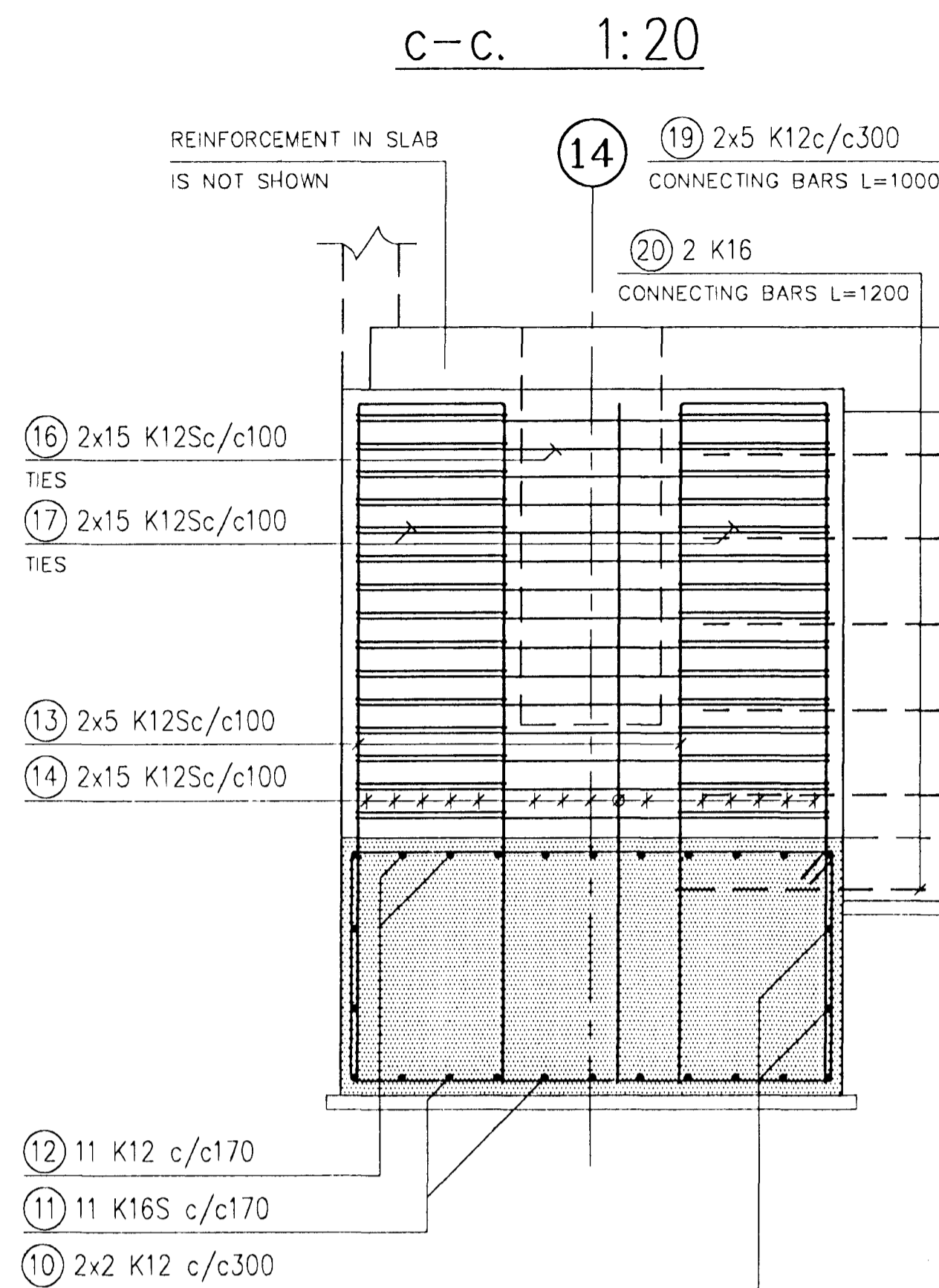
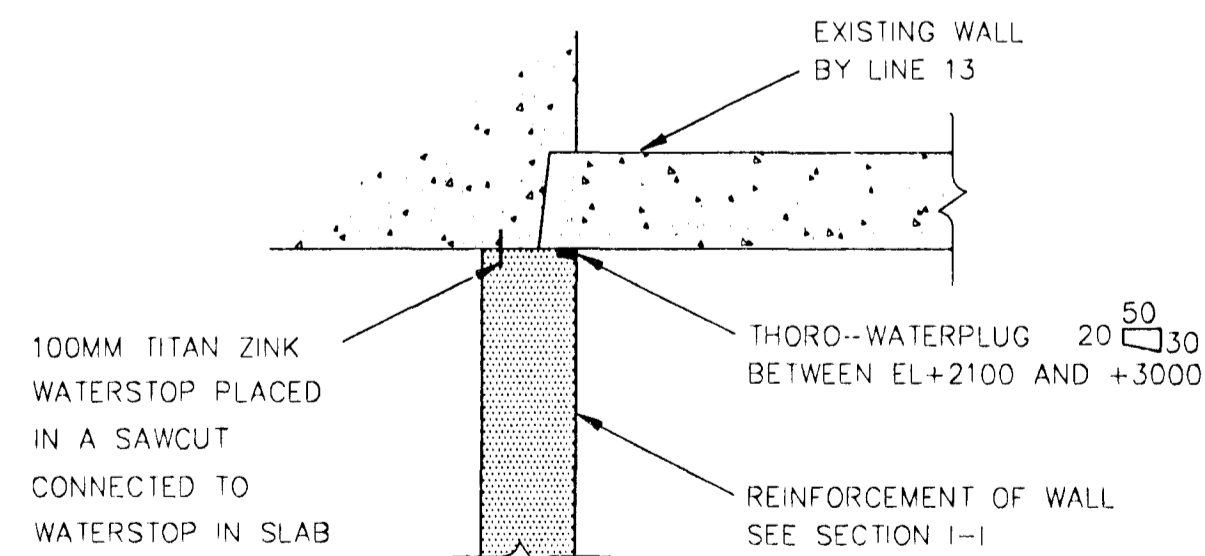
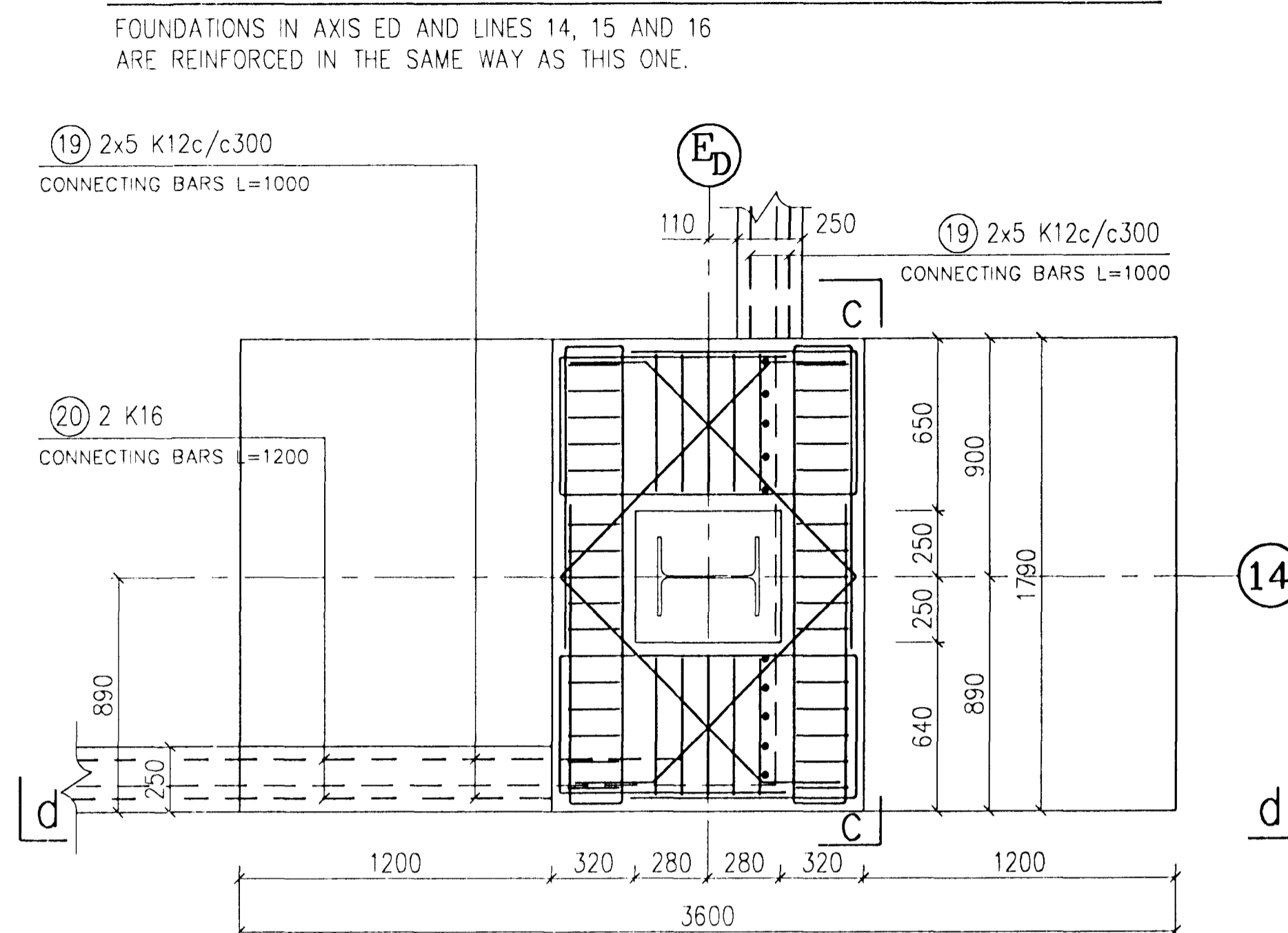


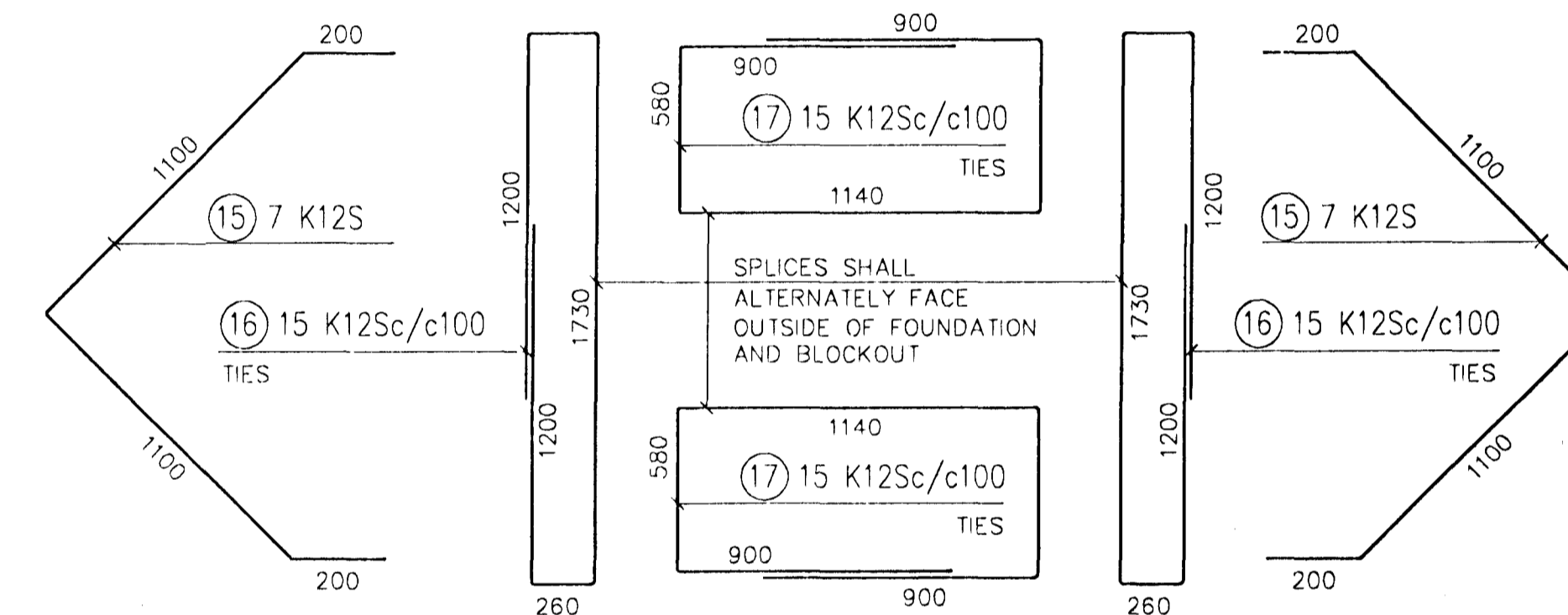
VERTICAL CONNECTION OF NEW WALL TO OLD BUILDING. 1:20



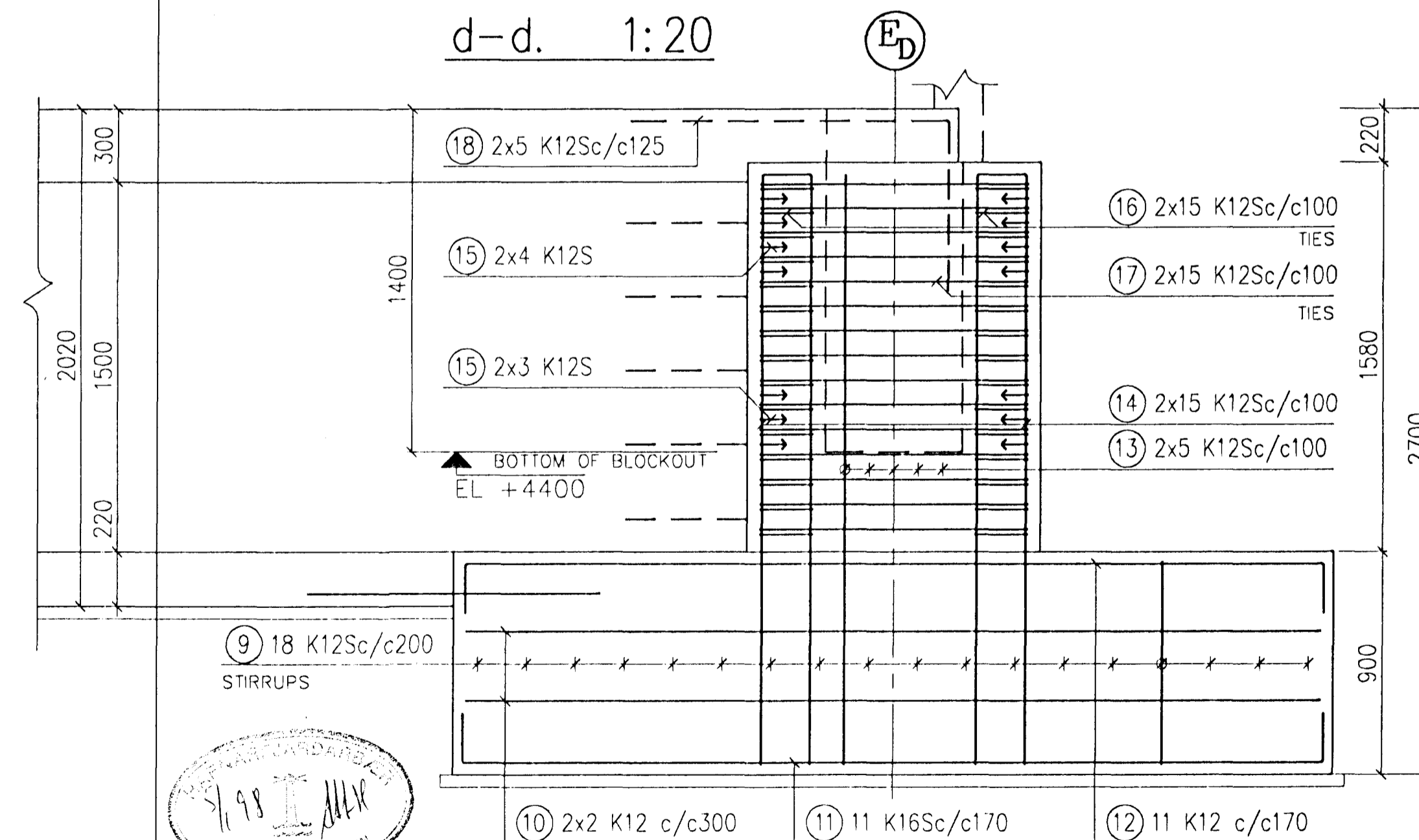
FOUNDATION IN AXIS ED AND LINE 17. 1:20



HORIZONTAL TIES AROUND BLOCKOUT. 1:20



d-d. 1:20



DATE	REVISION	BY	APP.	REV. NO.	DATE	REVISION	BY	APP.	NOTES	REFERENCE DRAWING	DRAWING NUMBER	SCALE	FORMAT	REVISION
12.1997	AS BUILT													
8.1996	ISSUED FOR CONSTRUCTION													
5.1996	ISSUED FOR TENDER													

This drawing is our property and given for personal use only. It may not be copied or made available to others without our permission. The receiver is responsible for any misuse.

**ICELANDIC ALUMINIUM COMPANY LTD.**

**ALUSUISSE ENGINEERING LTD. ZÜRICH SWITZERLAND**

VERKFRÆDISTOFAN ONN SF. TÆKNITHJONUSTAN SF.

STRUCTURAL CASTHOUSE EXTENSION SECTION I, F AND J. FOUNDATION IN AXIS ED AND IN LINE 17

79000-34215

193.415

2

8