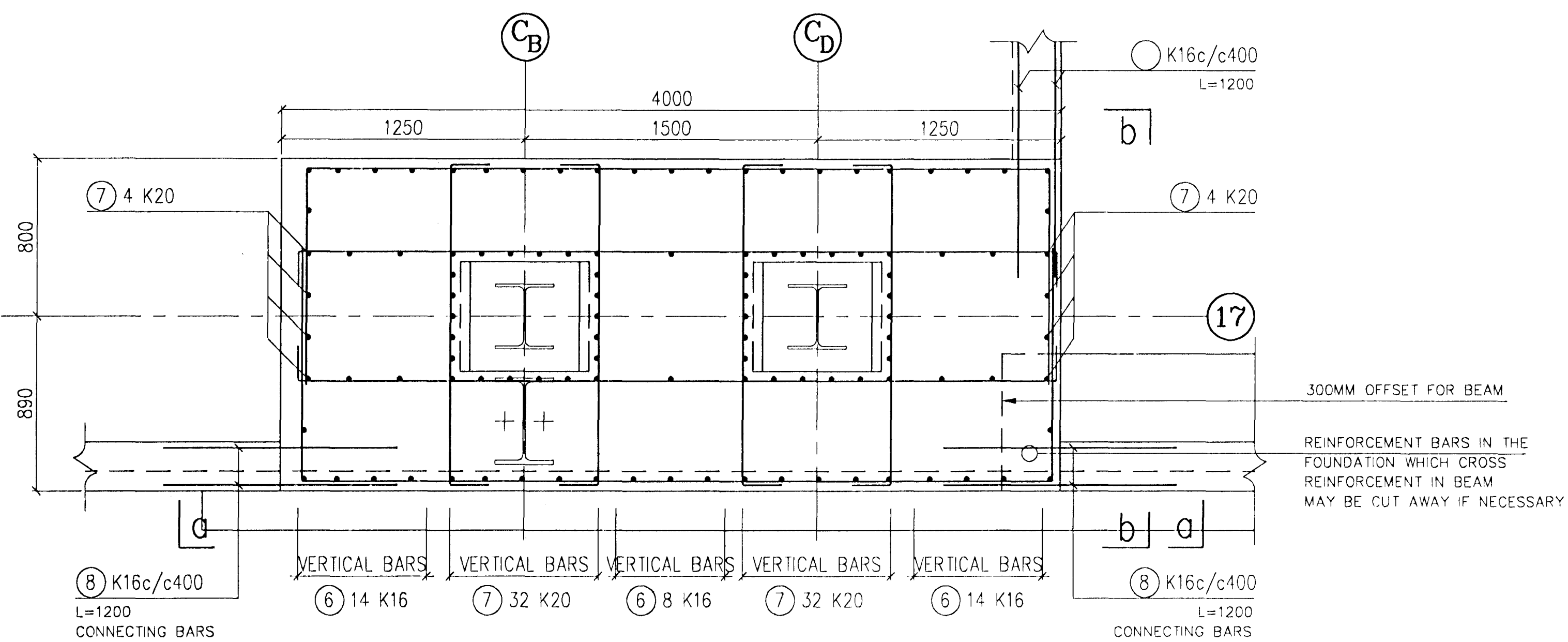
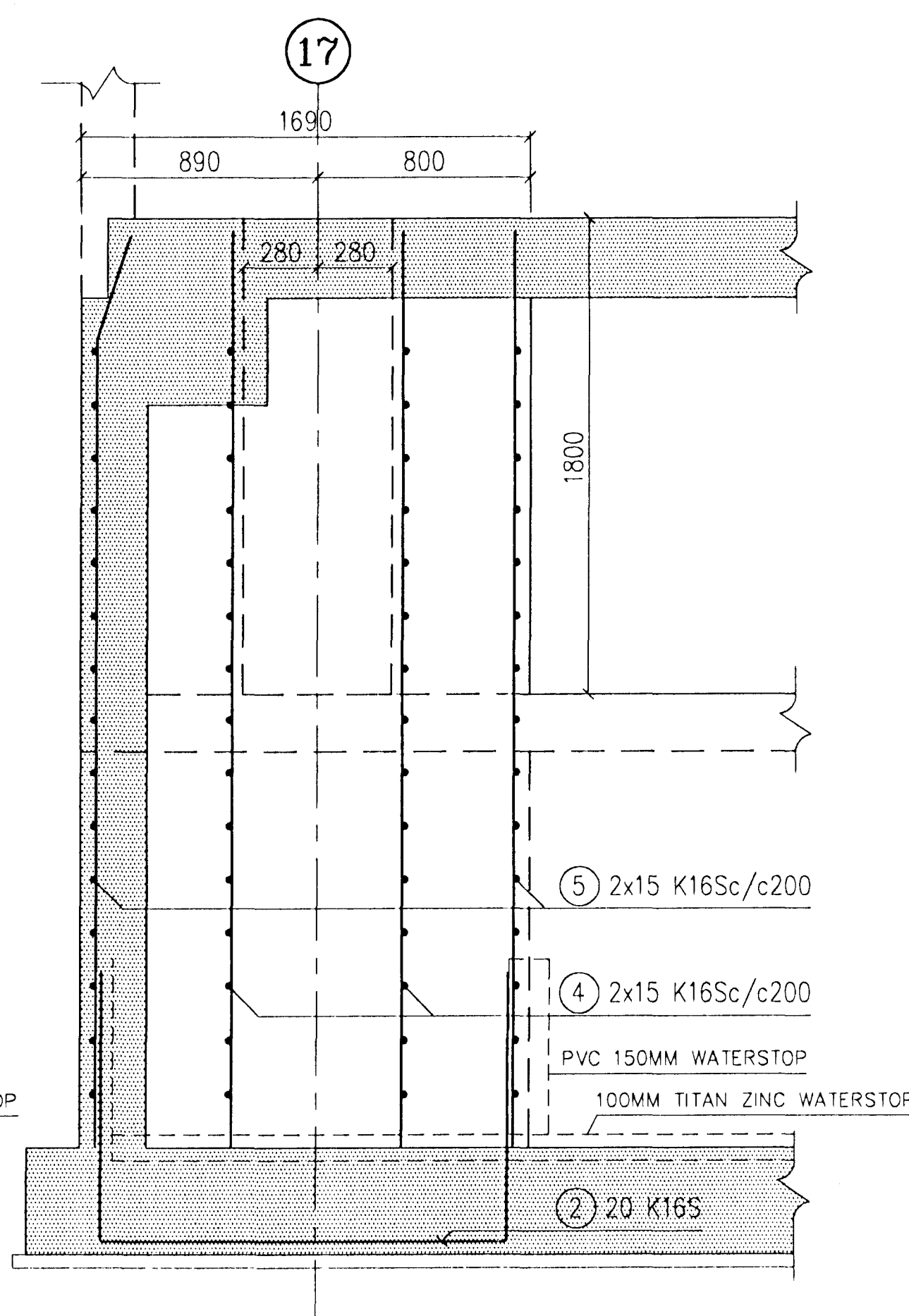
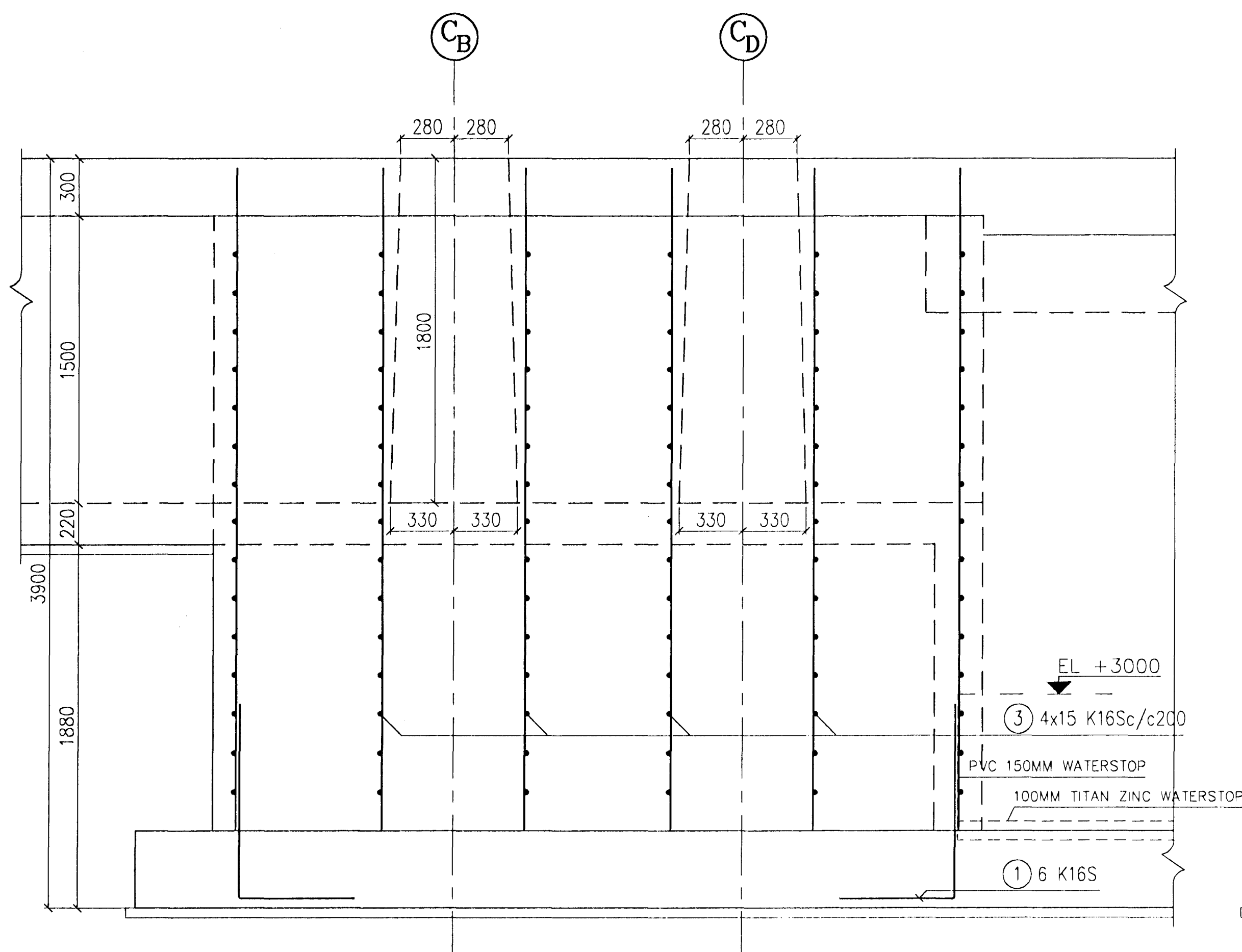


FOUNDATION IN AXES CB,CD AND LINE 17. 1:20



a-a. 1:20

b-b. 1:20



| | | | | | | | | | | | | | | | | | | | | | |
|----------|------------|-------------------------|----|------|----------|------|----------|----|------|--|-------------------|---|--|--|--|---|--|------------------------|--|--------------------|--|
| | | | | | | | | | | This drawing is our property and given for personal use only. It may not be copied or made available to others without our permission. The receiver is responsible for any misuse. | | ICELANDIC ALUMINIUM COMPANY LTD. ALESuisse ALUSUISSE ALESA | | DRAWN 2.5.1996 HHH APPROVED 2.5.1996 UH PROJECT SCALE 1:20 FORMAT A1 | | CASTHOUSE EXTENSION STRUCTURAL FOUNDATION CB, CD IN LINE 17 | | 79000-34216 193.416 | | REVISION 2 B | |
| 2 | 14.12.1997 | AS BUILD | | | | | | | | | | | | | | | | | | | |
| 1 | 15.8.1996 | ISSUED FOR CONSTRUCTION | | | | | | | | | | | | | | | | | | | |
| 0 | 20.5.1996 | ISSUED FOR TENDER | | | | | | | | | | | | | | | | | | | |
| REV. NO. | DATE | REVISION | BY | APP. | REV. NO. | DATE | REVISION | BY | APP. | NOTES | REFERENCE DRAWING | DRAWING NUMBER | | | | | | | | | |