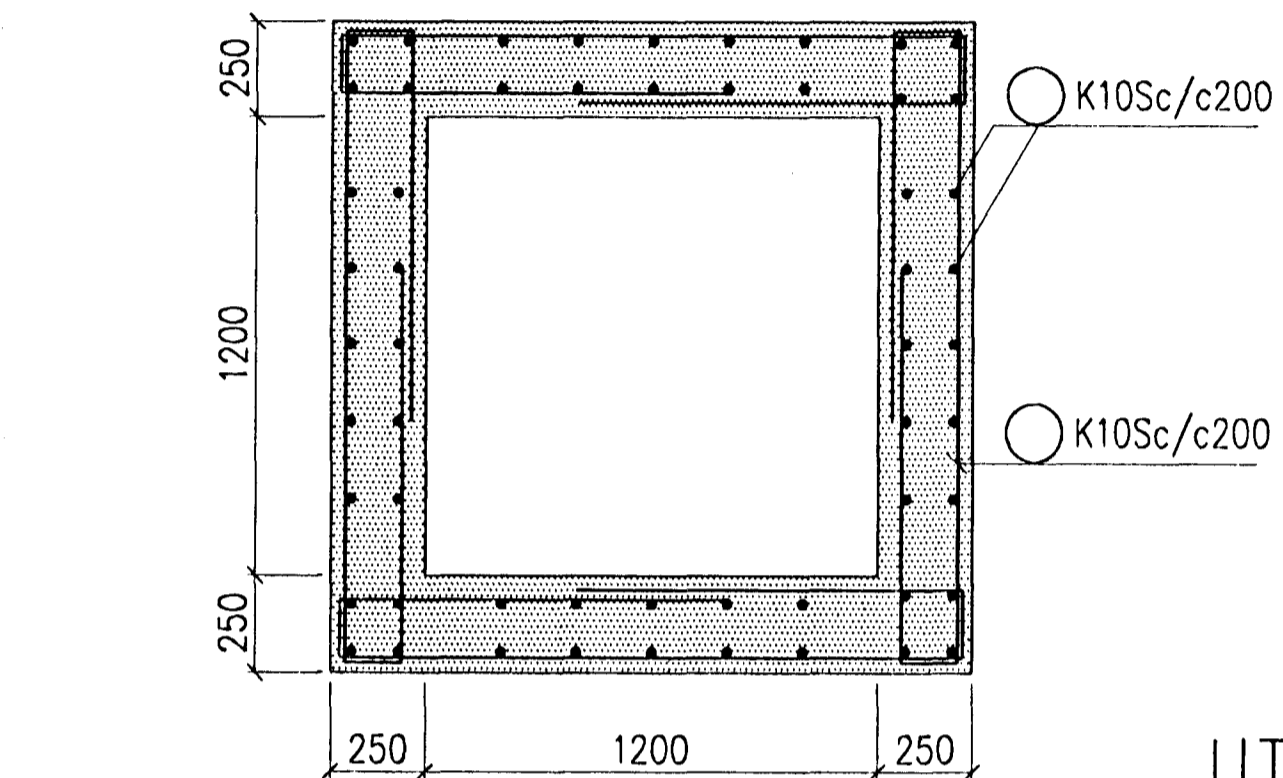
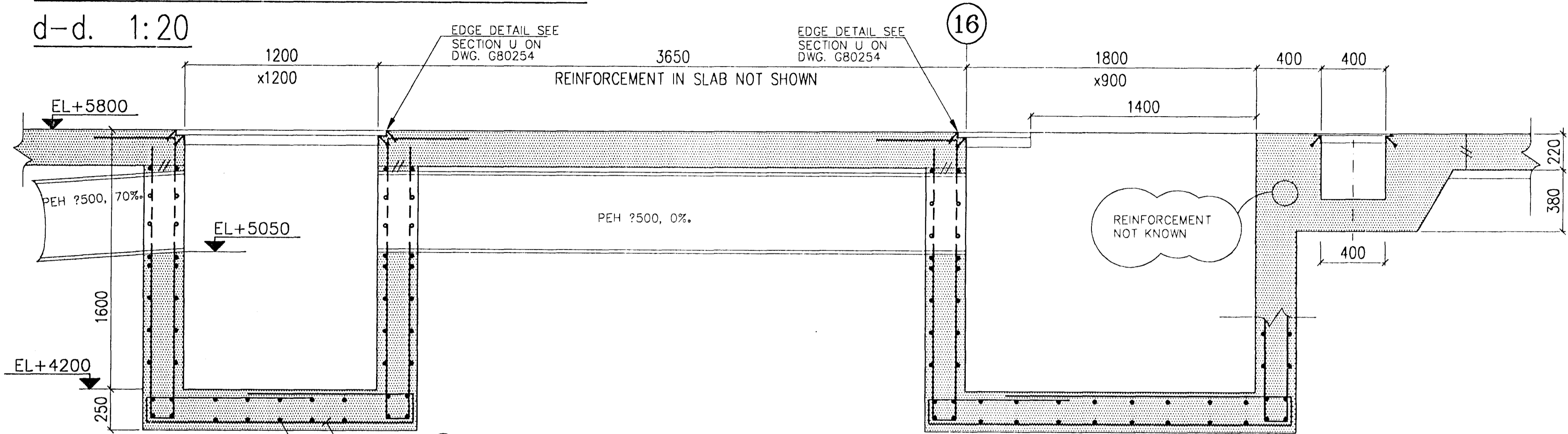
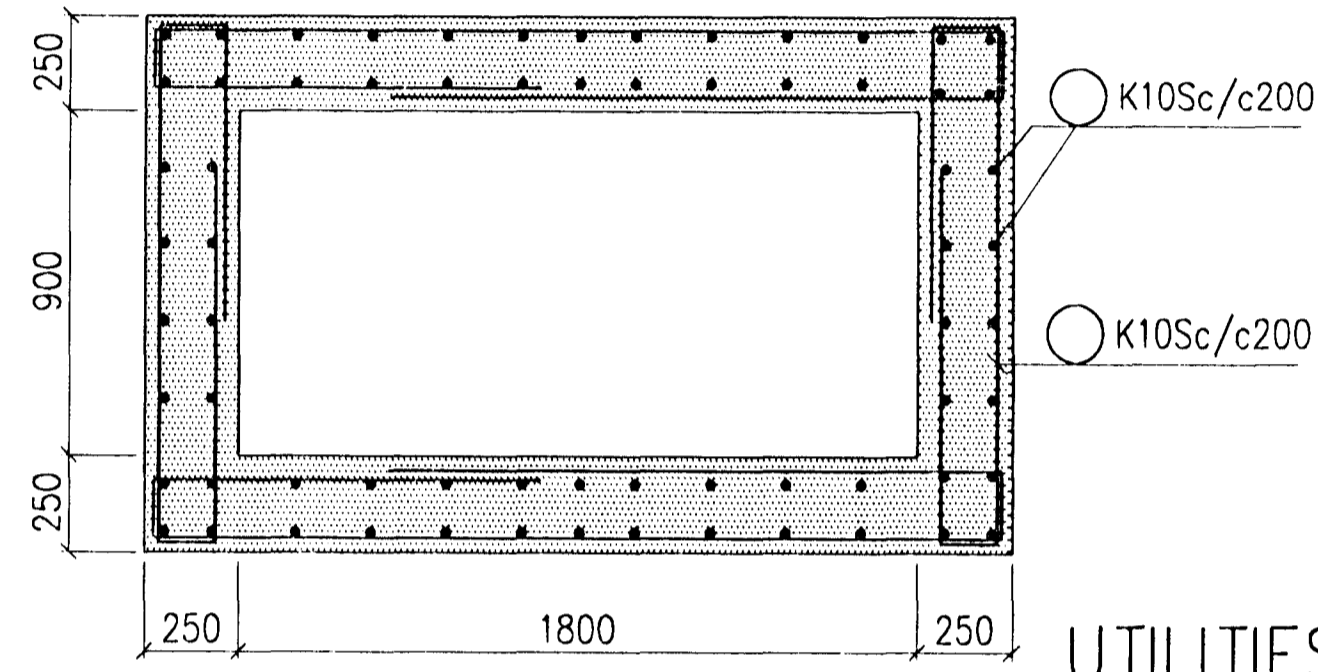


INGOT CASTING MACHINE SUMPS. 1:20

d-d. 1:20

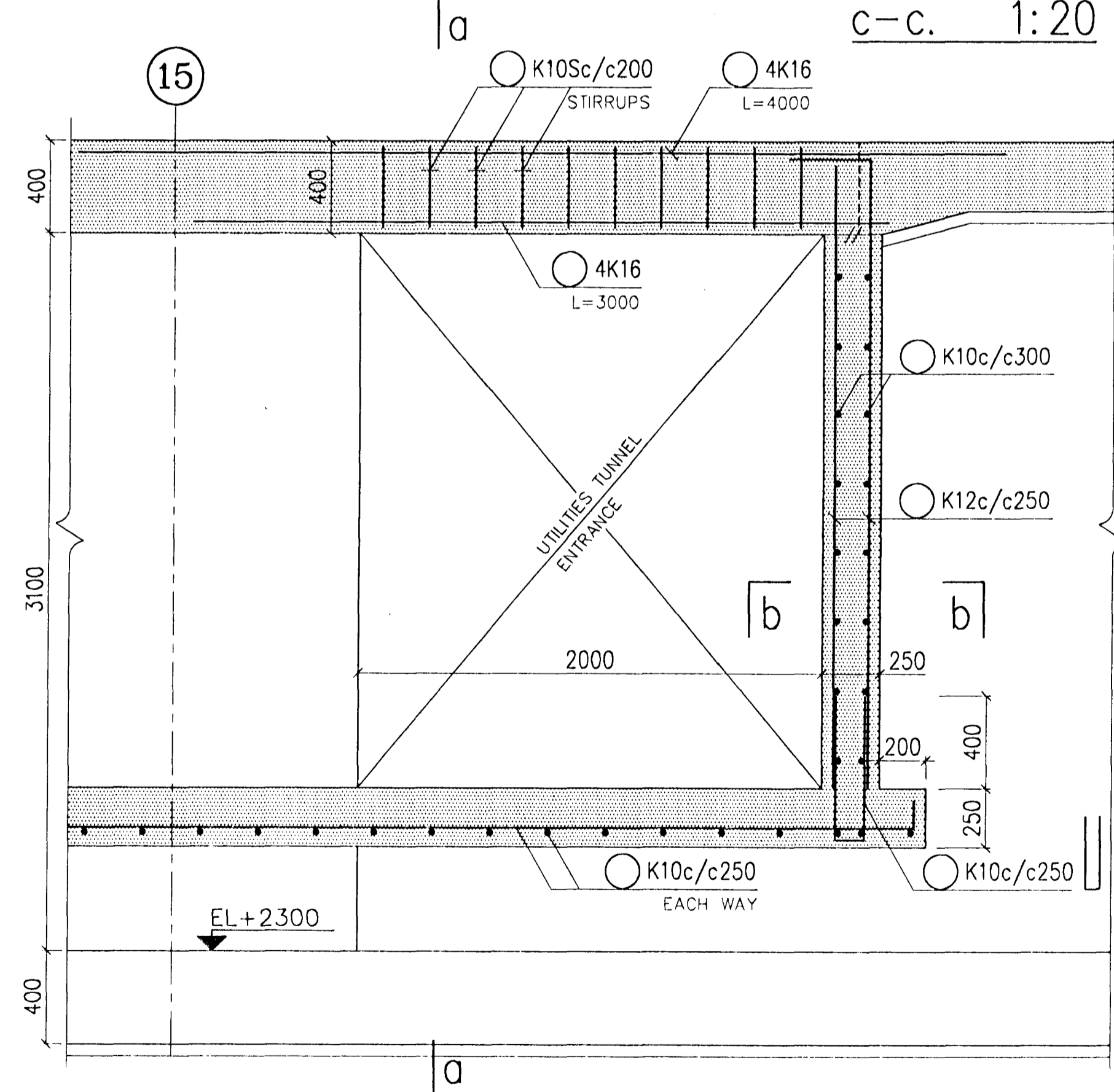
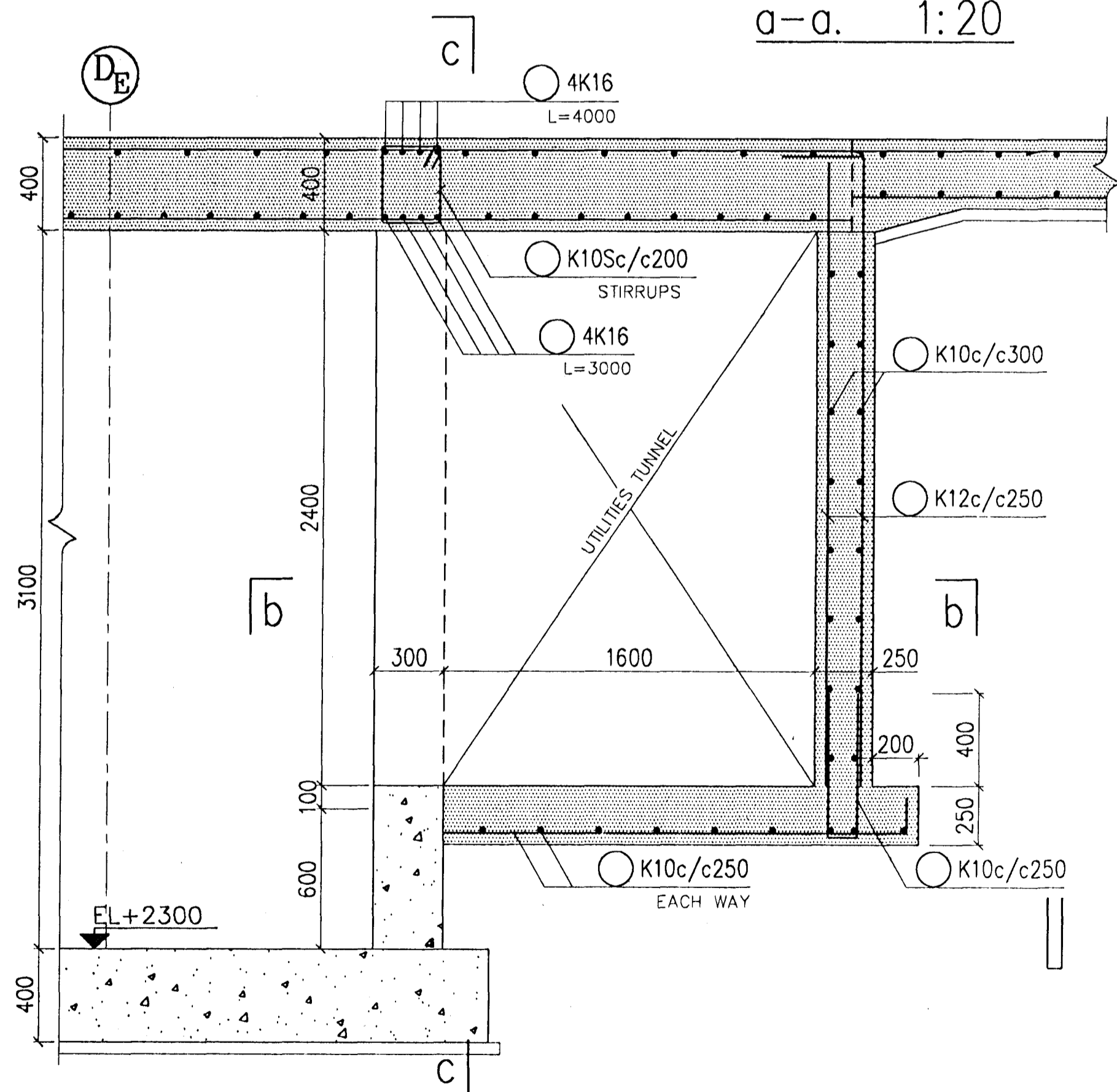


SUMPS:
CONCRETE S30
CONCRETE COVER ON BARS 40MM

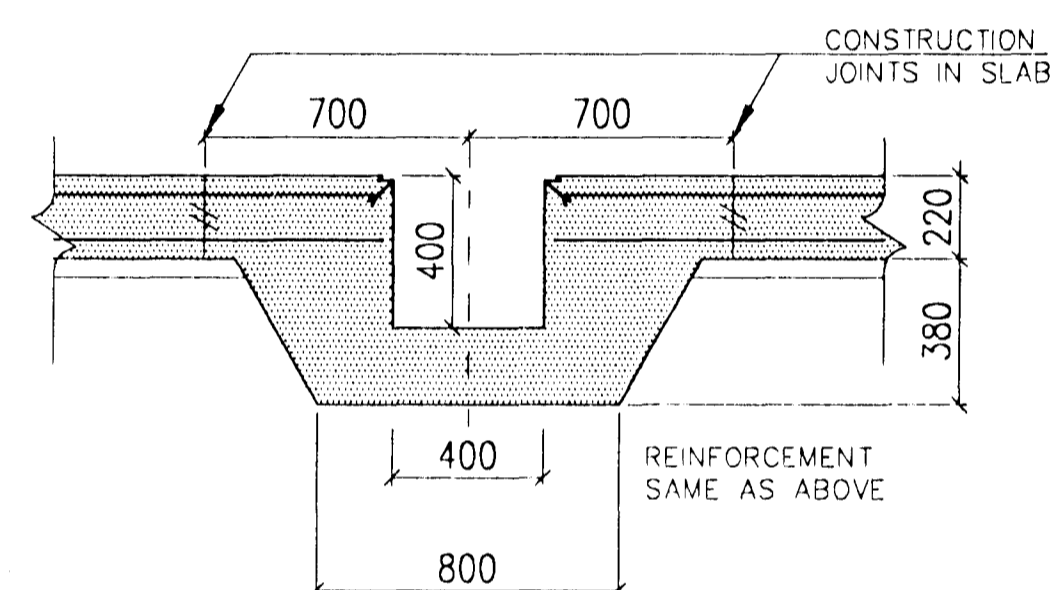
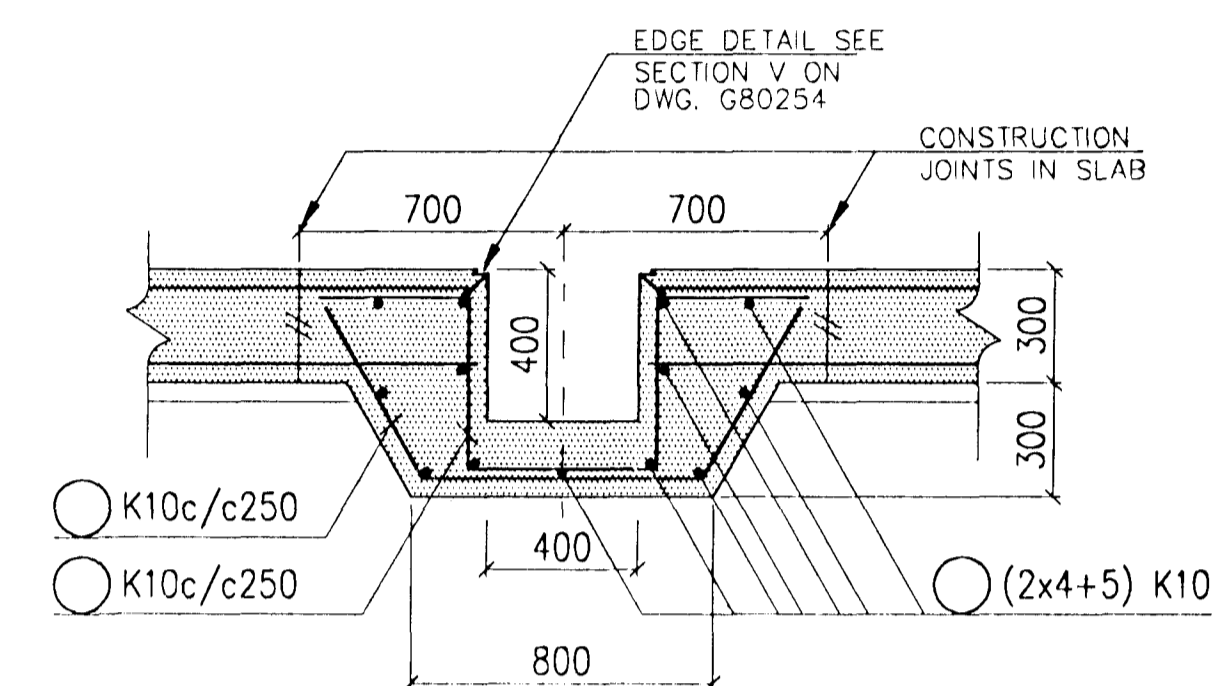
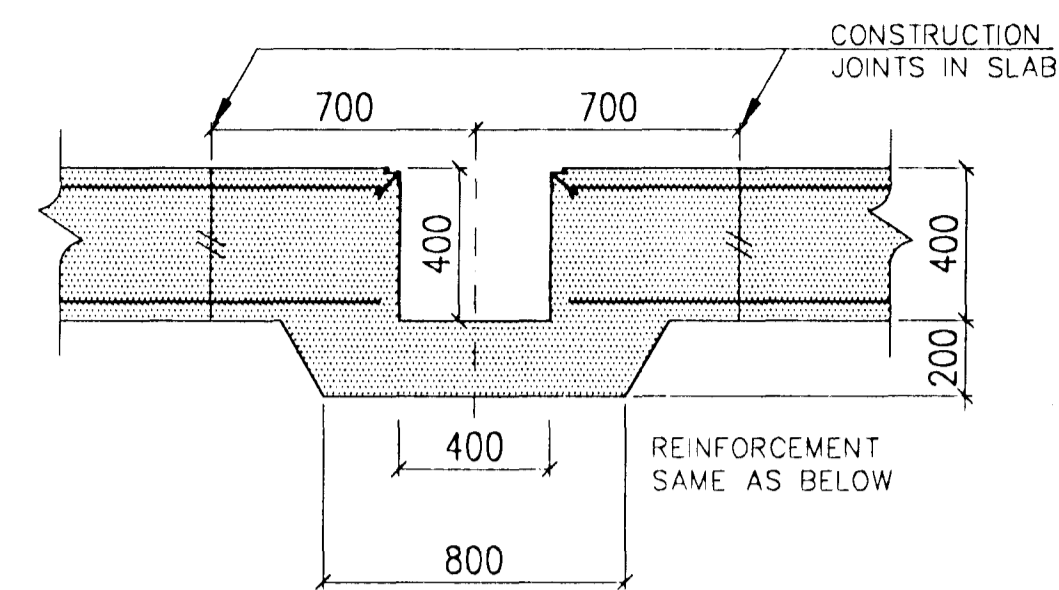


UTILITIES TUNNEL
a-a. 1:20

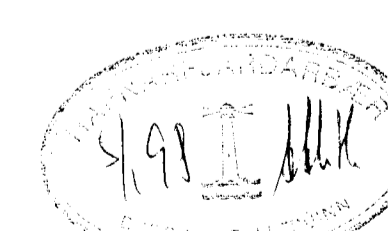
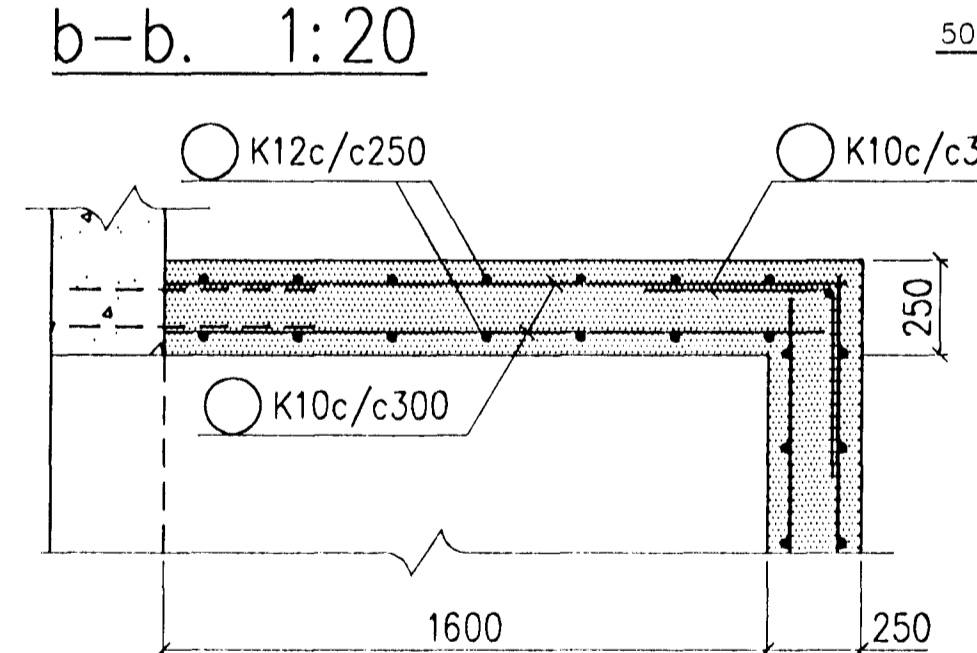
UTILITIES TUNNEL
c-c. 1:20



CHANNEL FOR ELECTRIC CABLES.
SECTIONS. 1:20



b-b. 1:20



DATE	REVISION	BY	APP.	REV. NO.	DATE	REVISION	BY	APP.	NOTES	REFERENCE DRAWING	DRAWING NUMBER	SCALE	PROJECT	REVISION
10.12.1997	AS BUILD												STRUCTURAL	
18.12.1996	THICKNESS OF UTILITIES TUNNEL SLAB CHANGED												CASTHOUSE EXTENSION	
16.12.1996	ISSUED FOR CONSTRUCTION												UTILITIES TUNNEL. CHANNEL FOR ELECTRIC CABLES. INGOT CASTING MACHINE SUMPS	
													79000-34219	2
													193.419	B

This drawing is our property and given for personal use only. It may not be copied or made available to others without our permission. The receiver is responsible for any misuse.

ICELANDIC ALUMINIUM COMPANY LTD.
VERKFRÆDISTOFAN ONN SF. TAEKNITHJONUSTAN SF.

ALUSUISSE ALESA
ALESA ENGINEERING LTD. ZÜRICH SWITZERLAND

DRAWN 10.12.96 HHH
APPROVED 10.12.1996 UH
PROCESS
PROJECT
SCALE 1:50
FORMAT A1