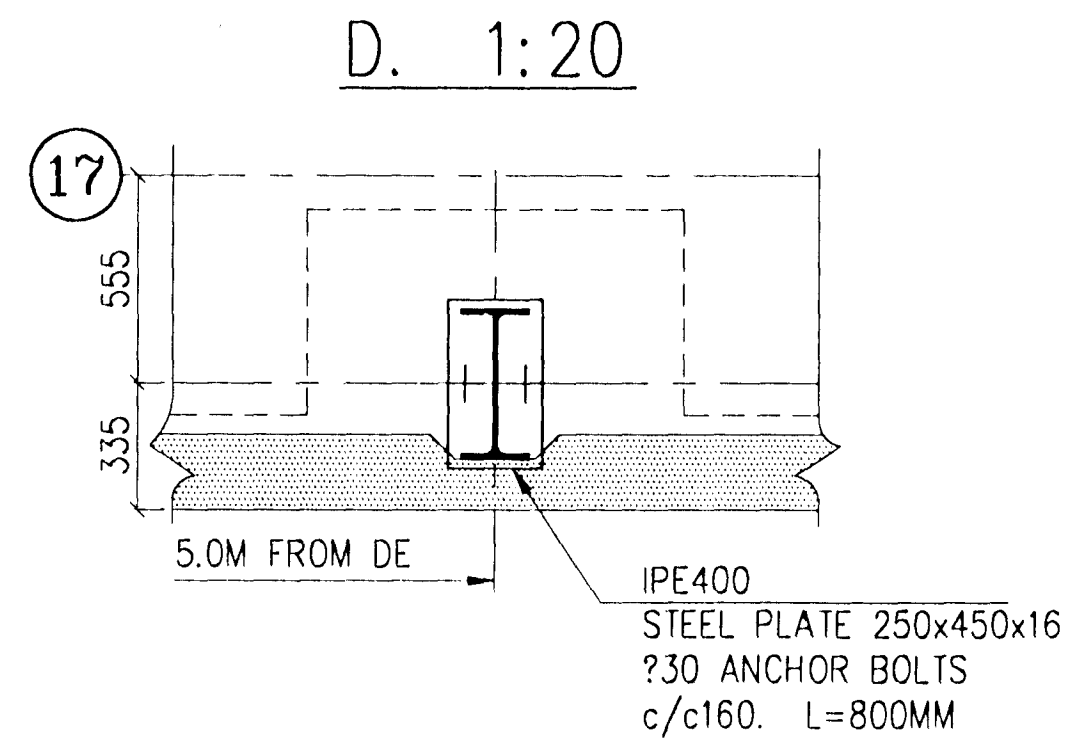
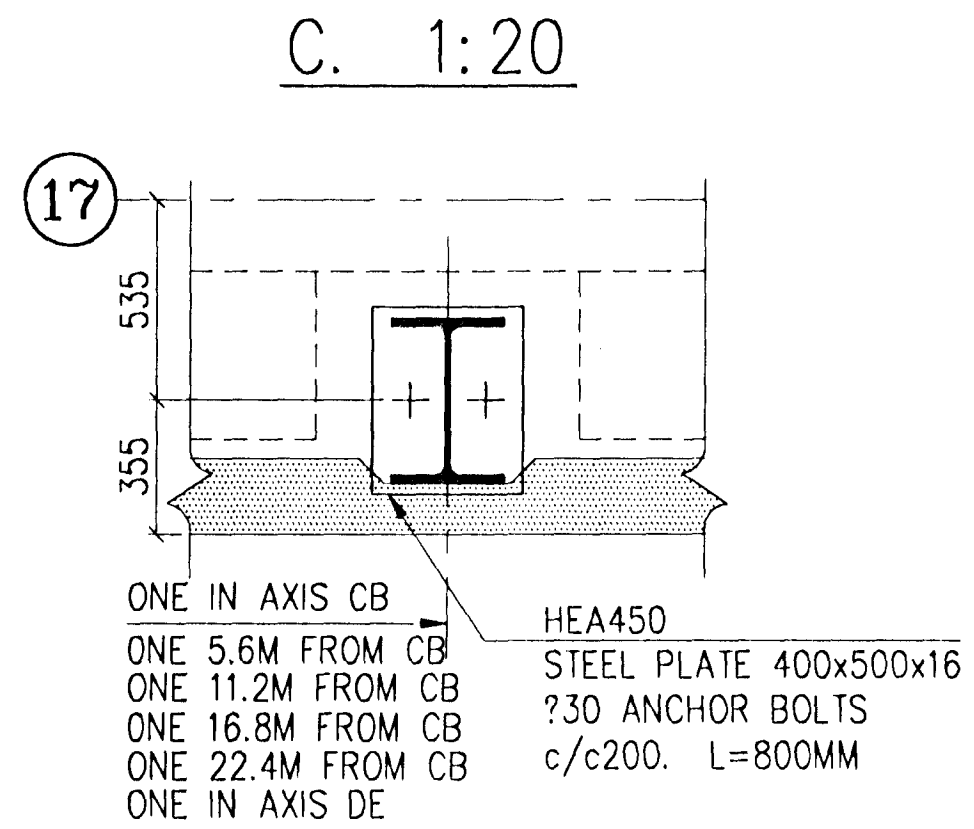
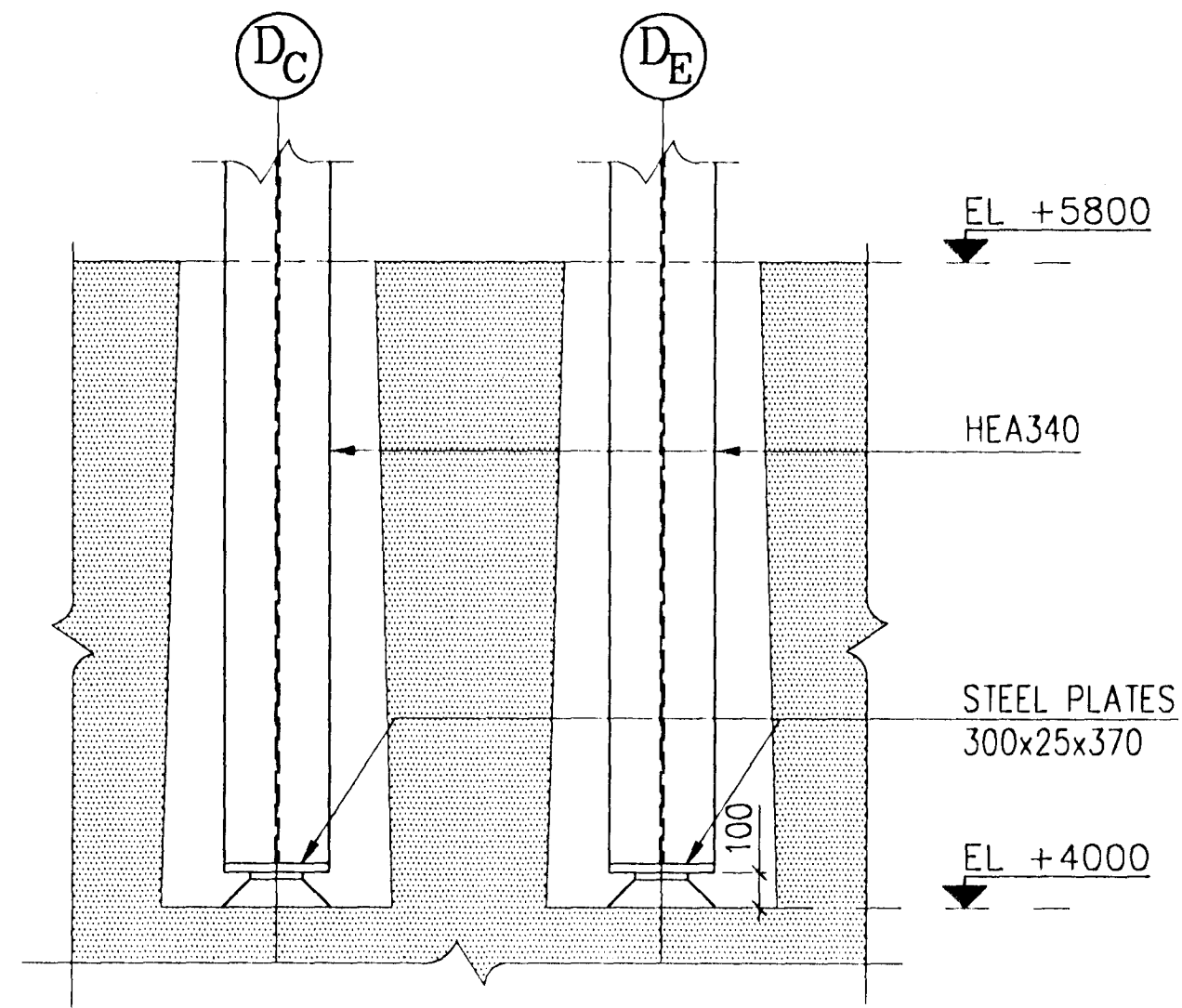
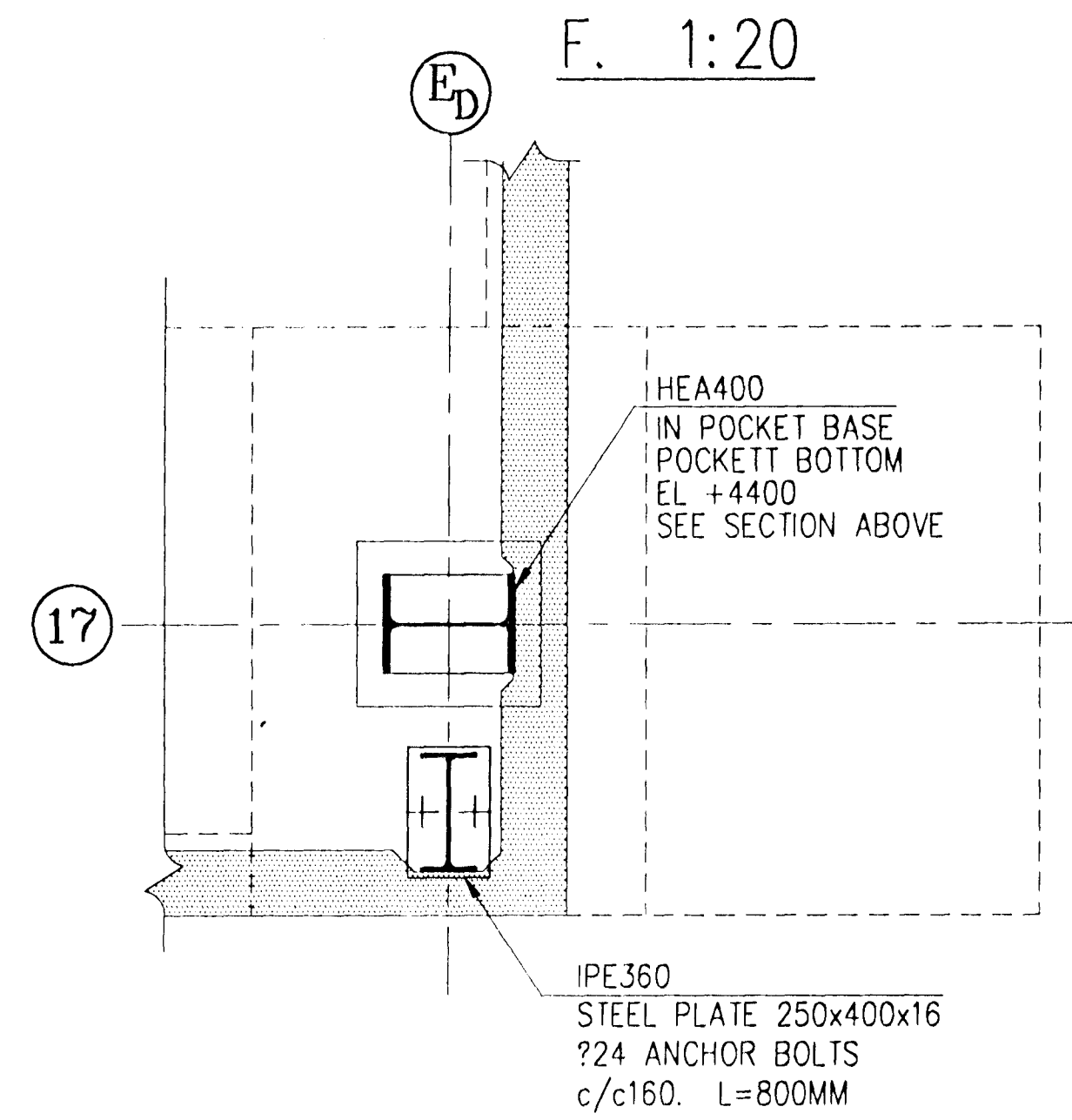
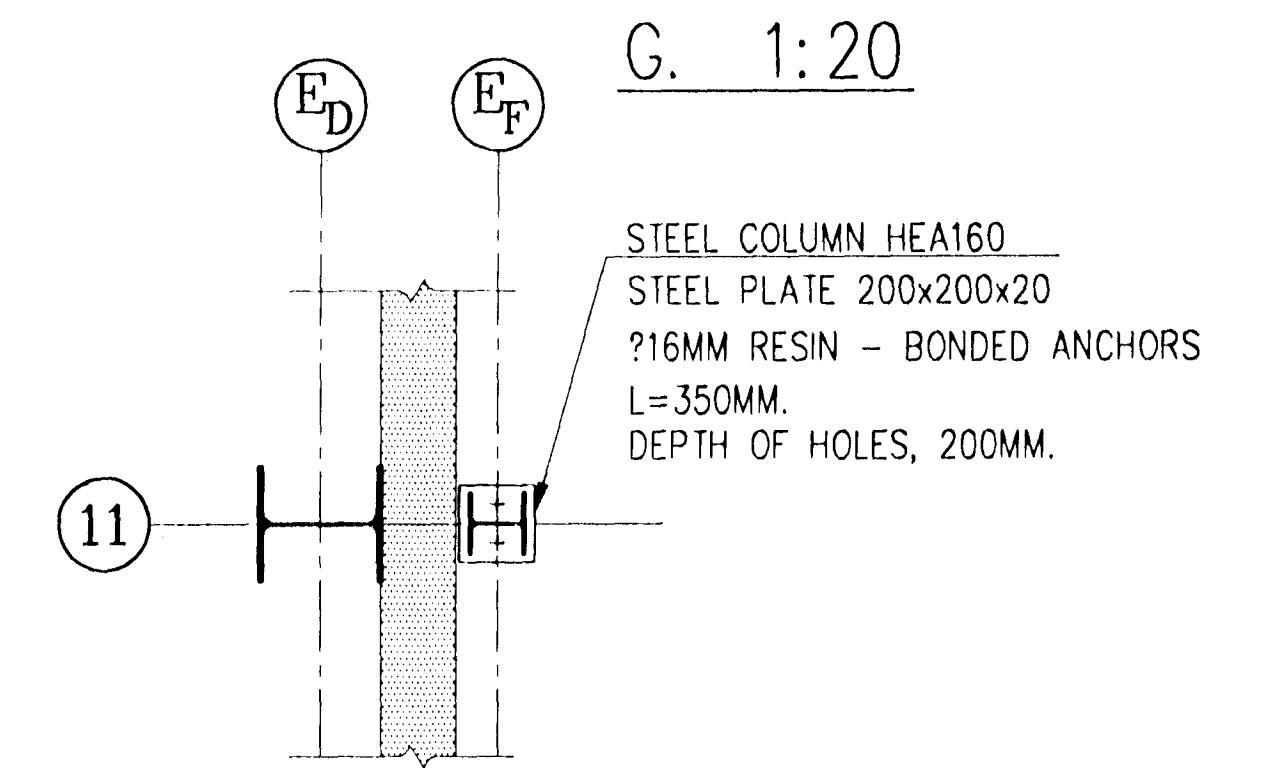
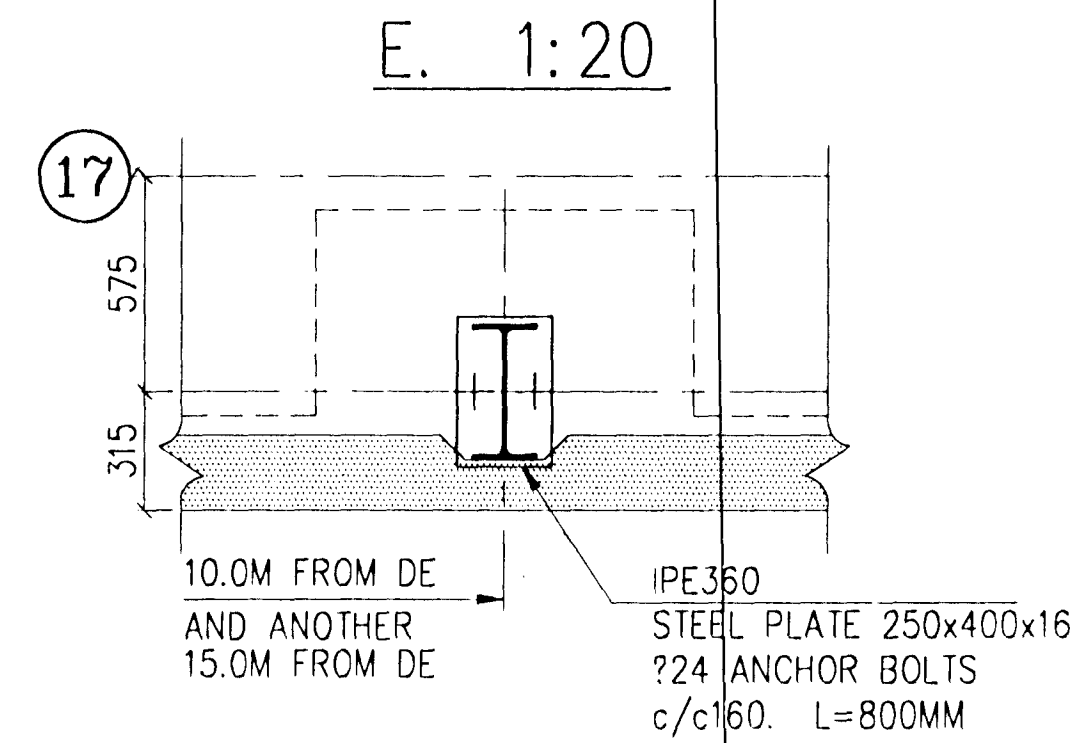
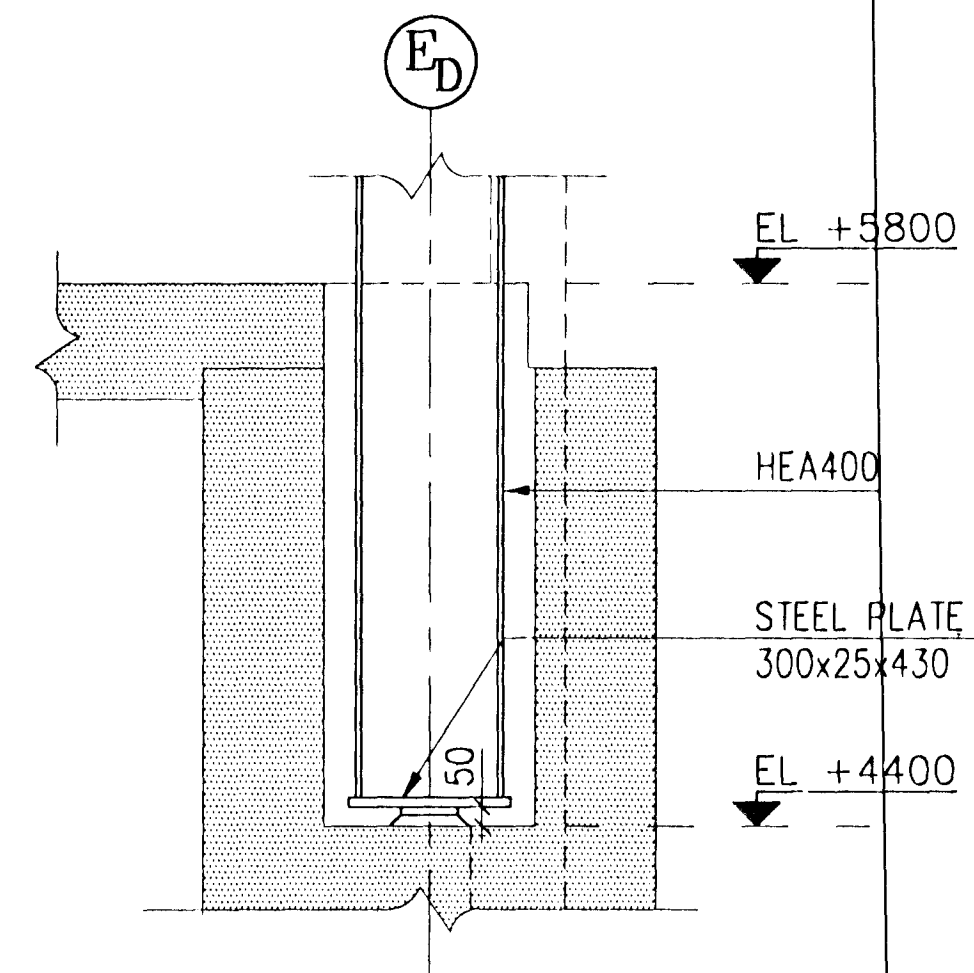


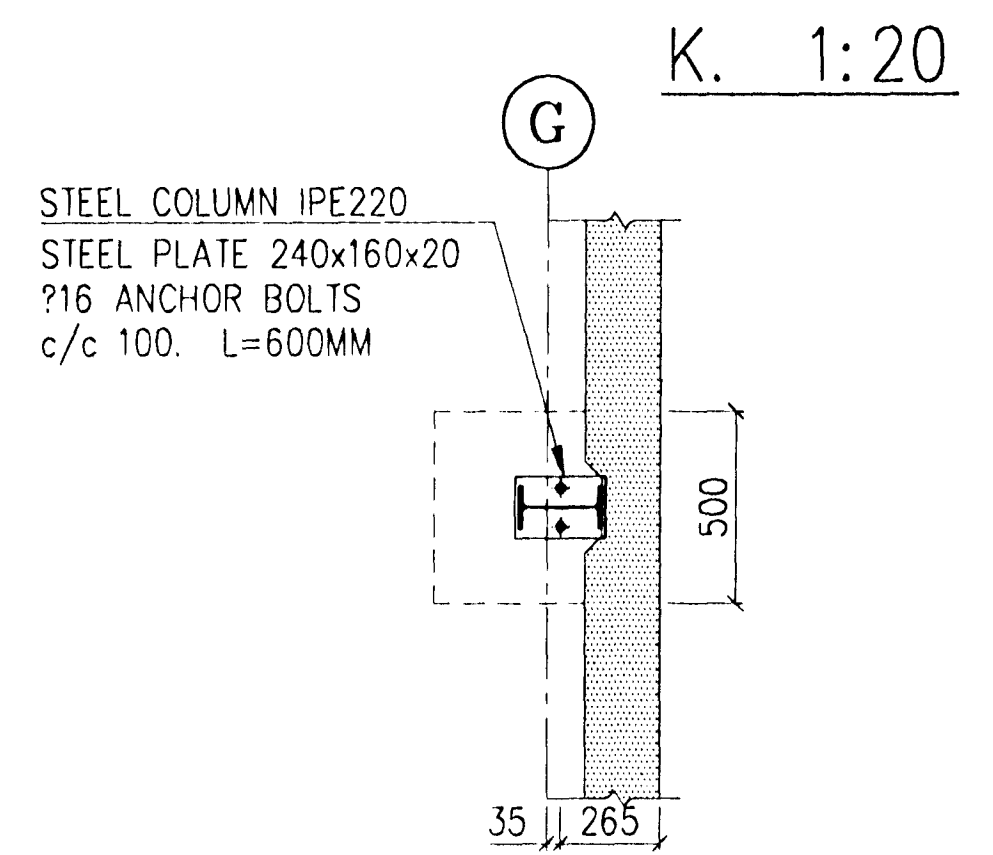
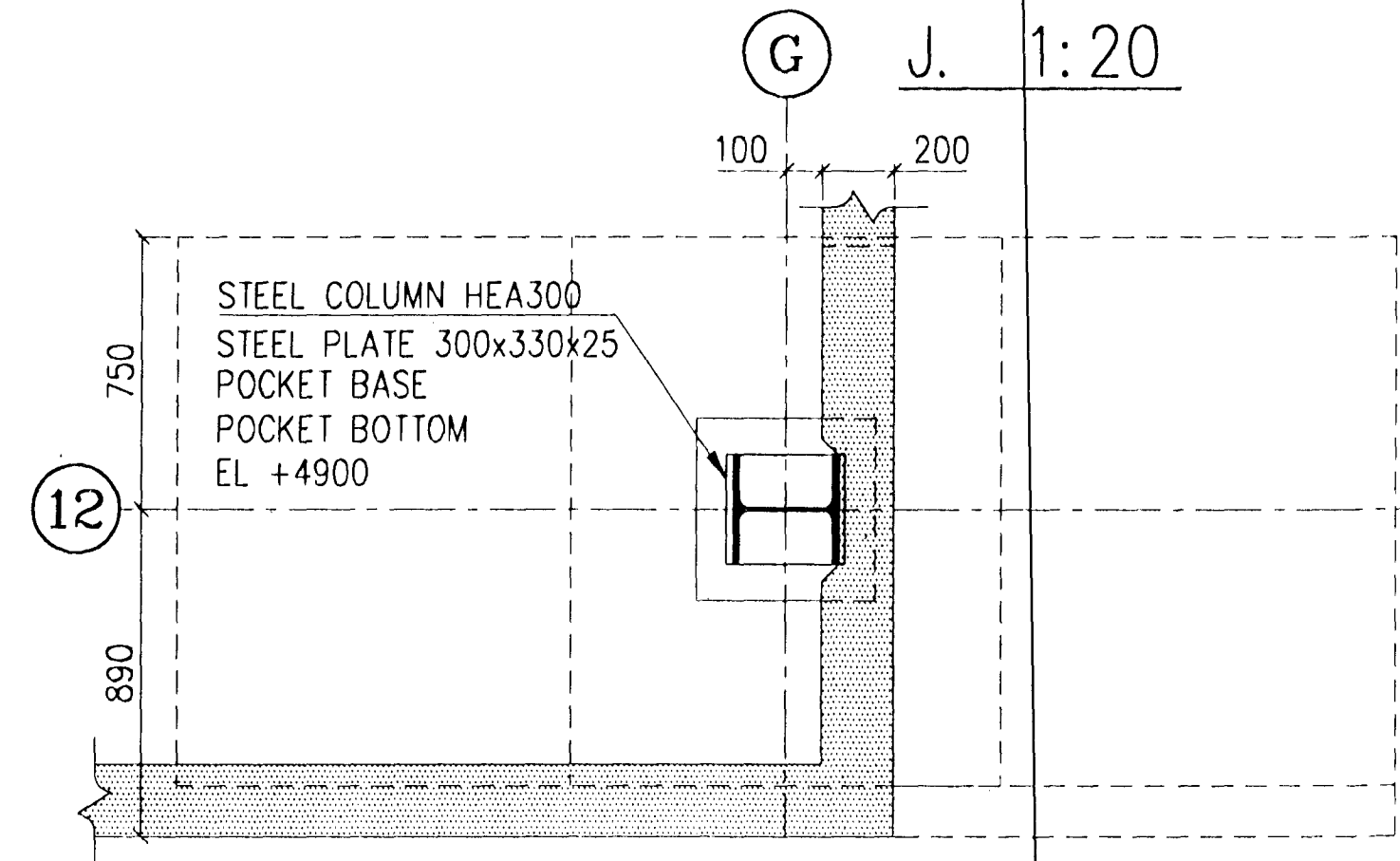
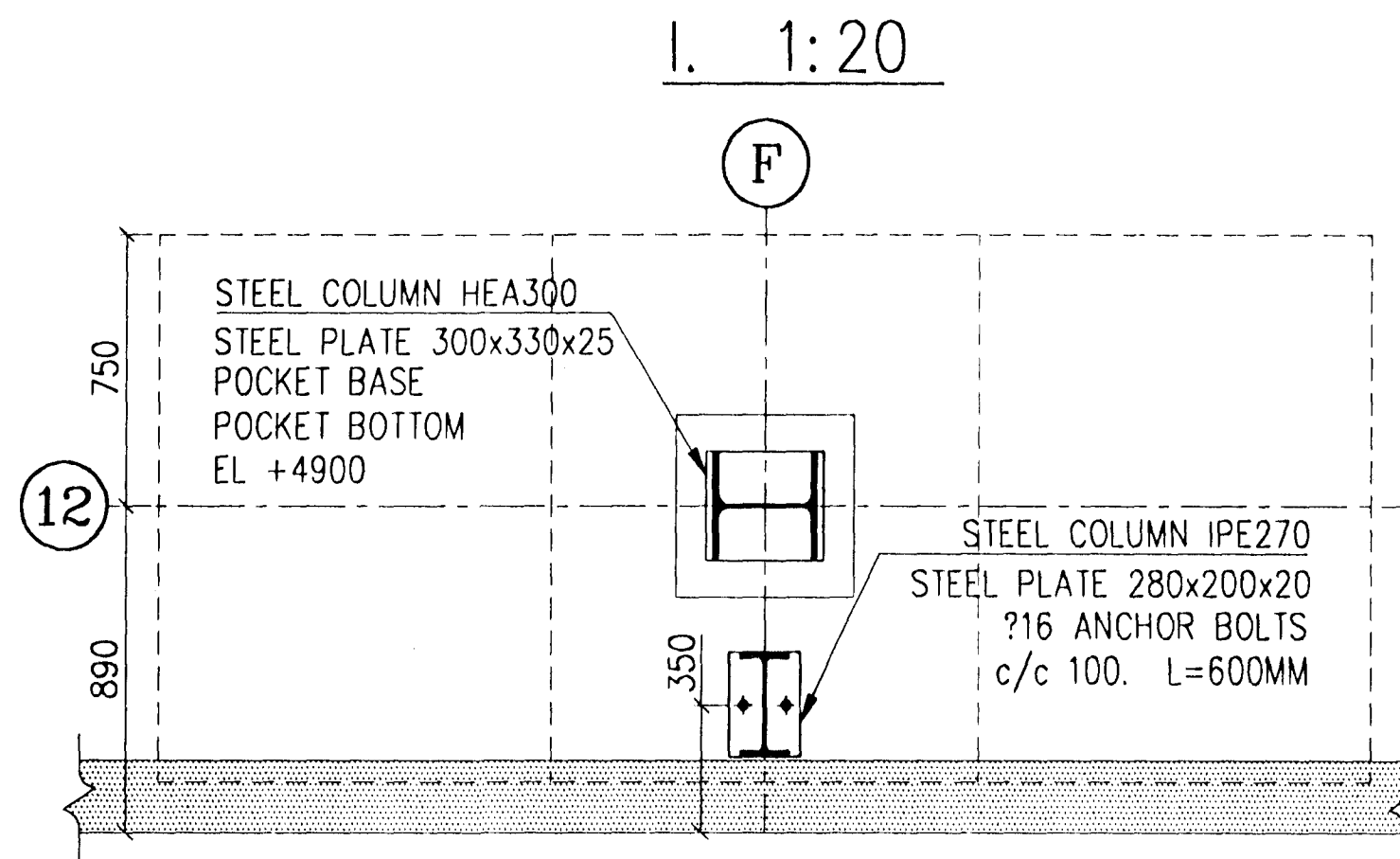
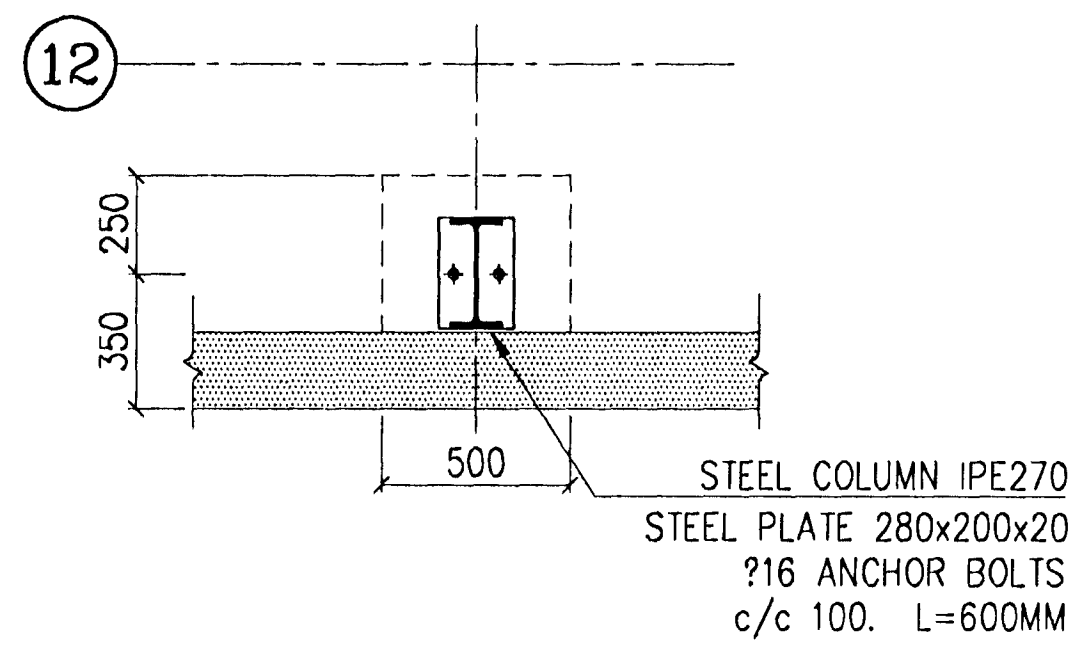
**POCKET BASES FOR COLUMNS
IN AXES C AND D. 1:20**



**POCKET BASES FOR COLUMNS
IN AXIS ED. 1:20**



H. 1:20



REV. NO.	DATE	REVISION	BY	APP.	REV. NO.	DATE	REVISION	BY	APP.	NOTES	REFERENCE DRAWING	DRAWING NUMBER	This drawing is our property and given for personal use only. It may not be copied or made available to others without our permission. The receiver is responsible for any misuse.	ICELANDIC ALUMINIUM COMPANY LTD. ALUSUISSE ALESA ALESA ENGINEERING LTD. ZURICH SWITZERLAND VERKFRÆDISTOFAN ÖNN SF. TÆKNITHJONUSTAN SF.	DRAWN 3.5.1998 HHH APPROVED 3.5.1998 UH PROCESS PROJECT SCALE 1:20 FORMAT A1	CASTHOUSE EXTENSION STRUCTURAL DETAILS A-K. EXACT PLACEMENT OF STEEL COLUMNS	79000-34230 193.430	1 17
----------	------	----------	----	------	----------	------	----------	----	------	-------	-------------------	----------------	--	--	---	--	------------------------	---------