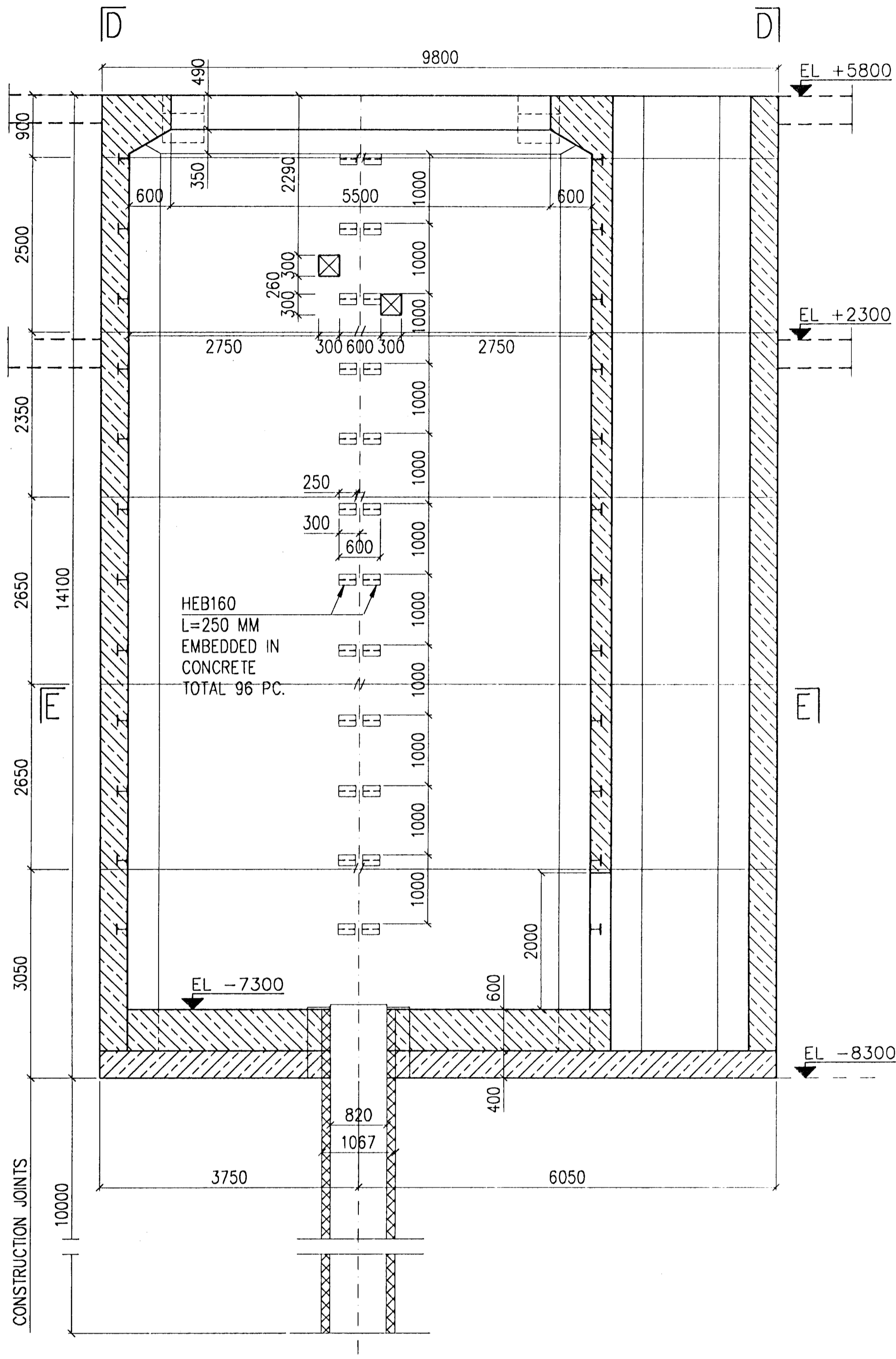
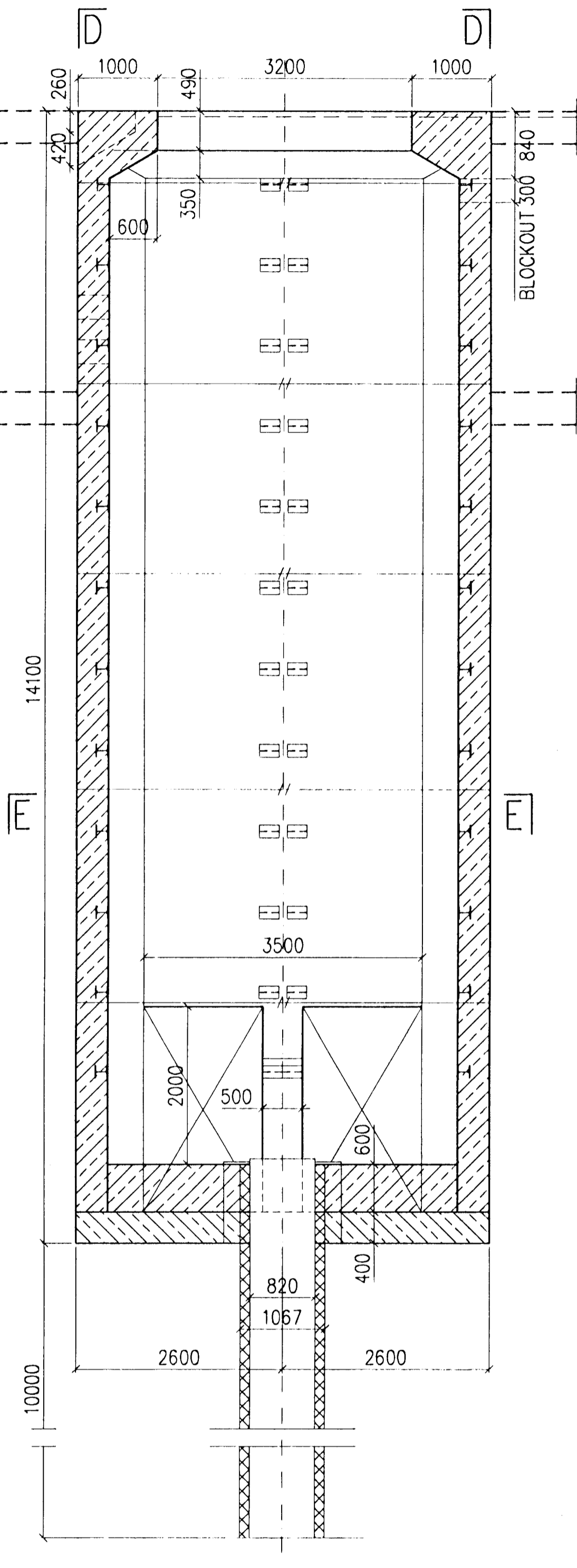


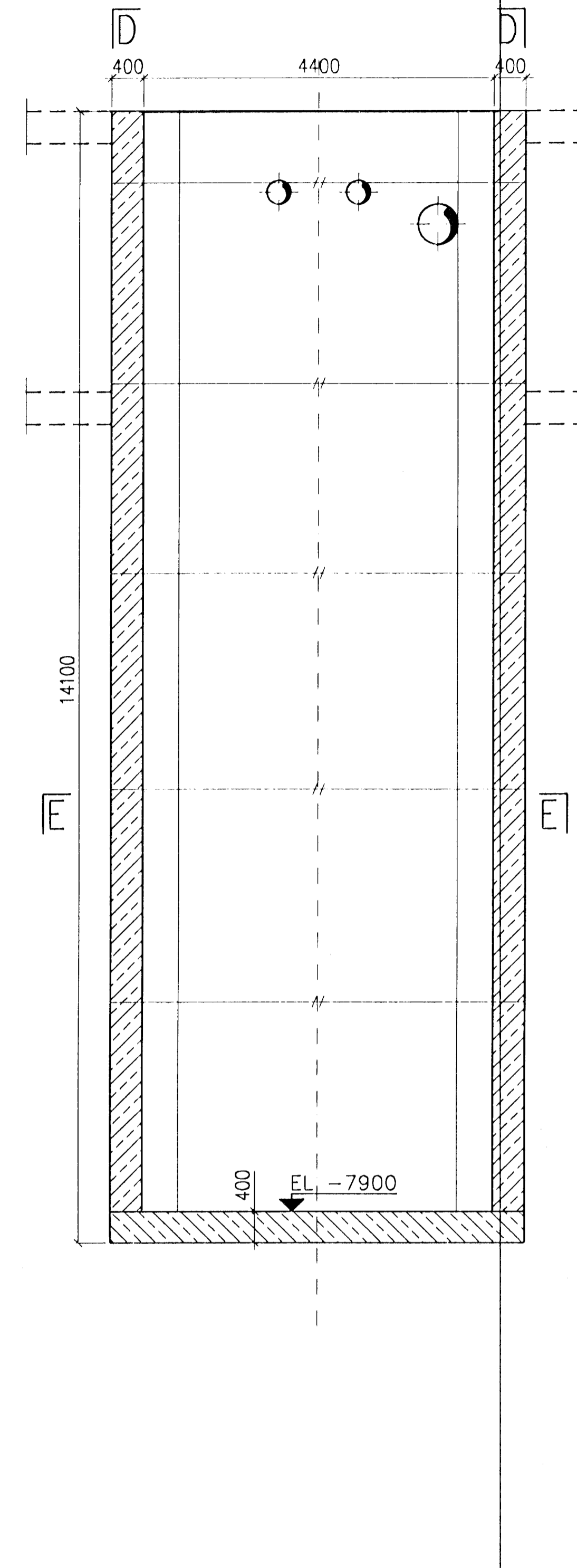
A - A. 1:50



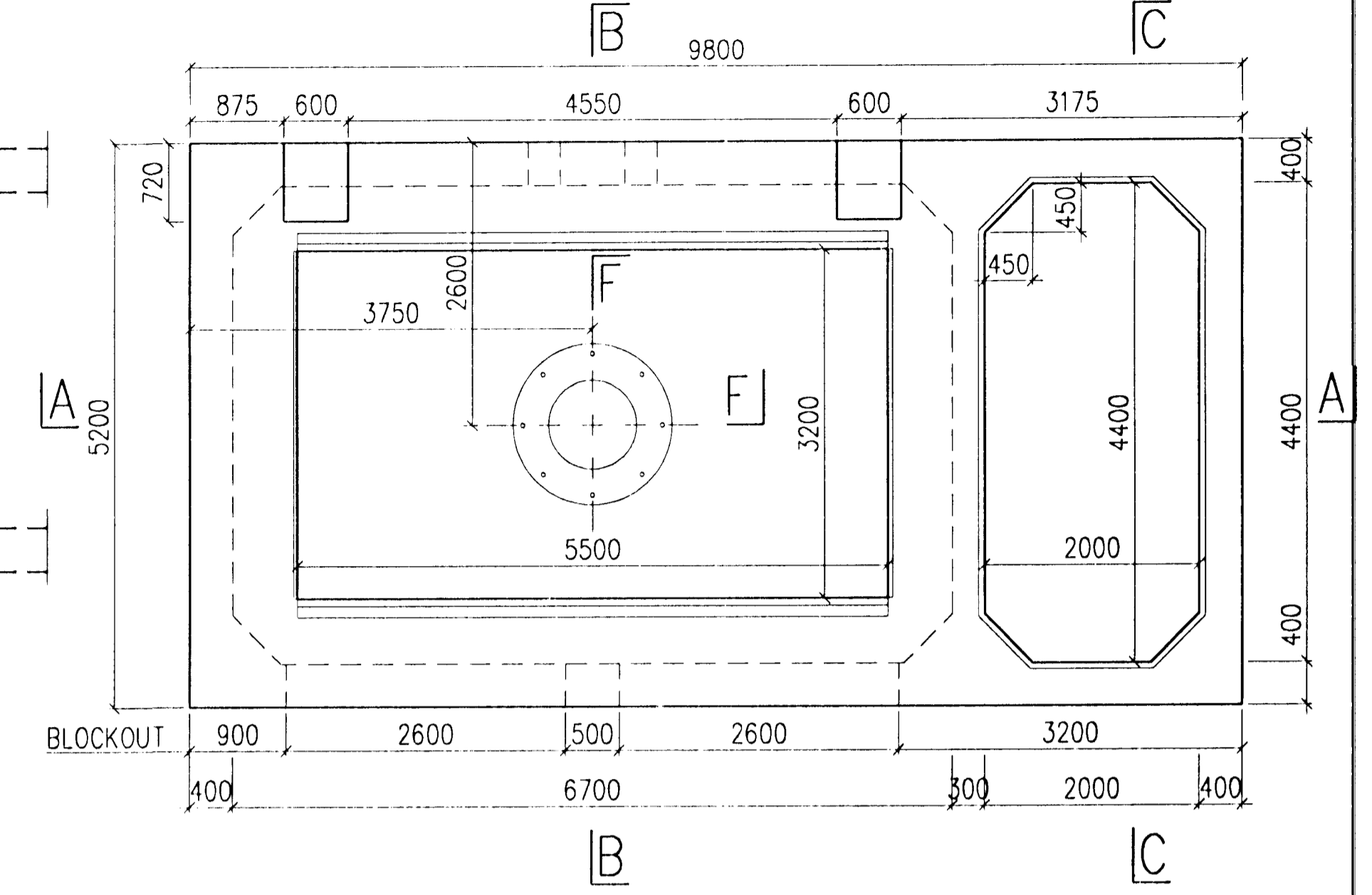
B - B. 1:50



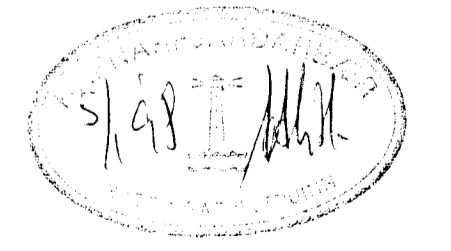
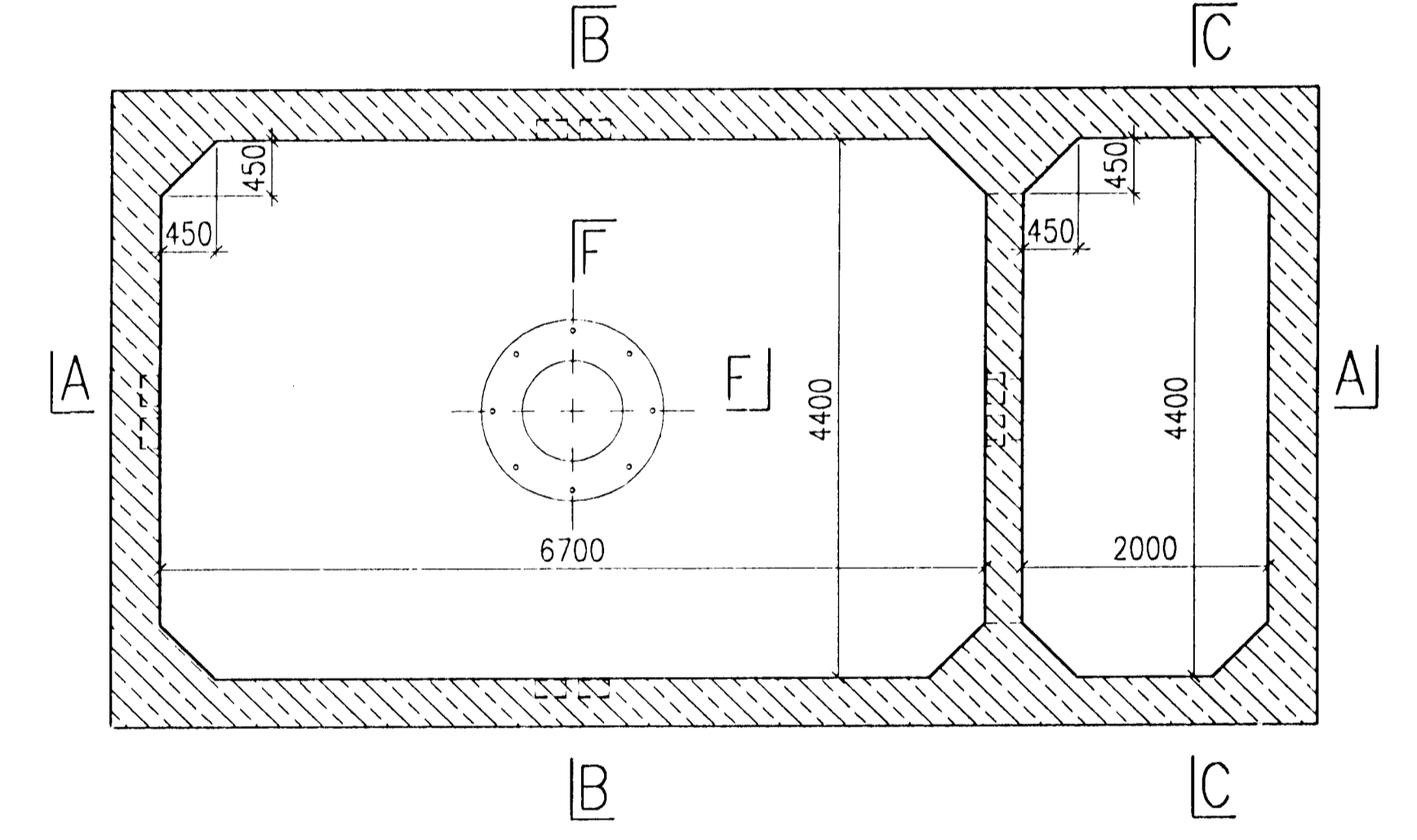
C - C. 1:50



D - D. 1:50



E - E. 1:50



REV. NO.	DATE	REVISION	BY	APP.	REV. NO.	DATE	REVISION	BY	APP.	NOTES	REFERENCE DRAWING	DRAWING NUMBER	SCALE	FORMAT	REVISION
2 B	10.11.1997	AS BUILT		UH											
1	15.8.1996	ISSUED FOR CONSTRUCTION		UH											
0	20.5.1996	ISSUED FOR TENDER													

This drawing is our property and given for personal use only. It may not be copied or made available to others without our permission. The receiver is responsible for any misuse.	DRAWN 17.5.1996 HHH APPROVED 17.5.1996 UH PROJECT SCALE 1:50 FORMAT A1	CASTHOUSE EXTENSION STRUCTURAL CASTING MACHINE PIT MAIN DIMENSIONS
	ICELANDIC ALUMINIUM COMPANY LTD. ALUSUISSE ALESA ALESA ENGINEERING LTD. ZURICH SWITZERLAND VERKFRÆDISTOFAN ONN SF. TAEKNITHJONUSTAN SF.	79000-34241 193.441