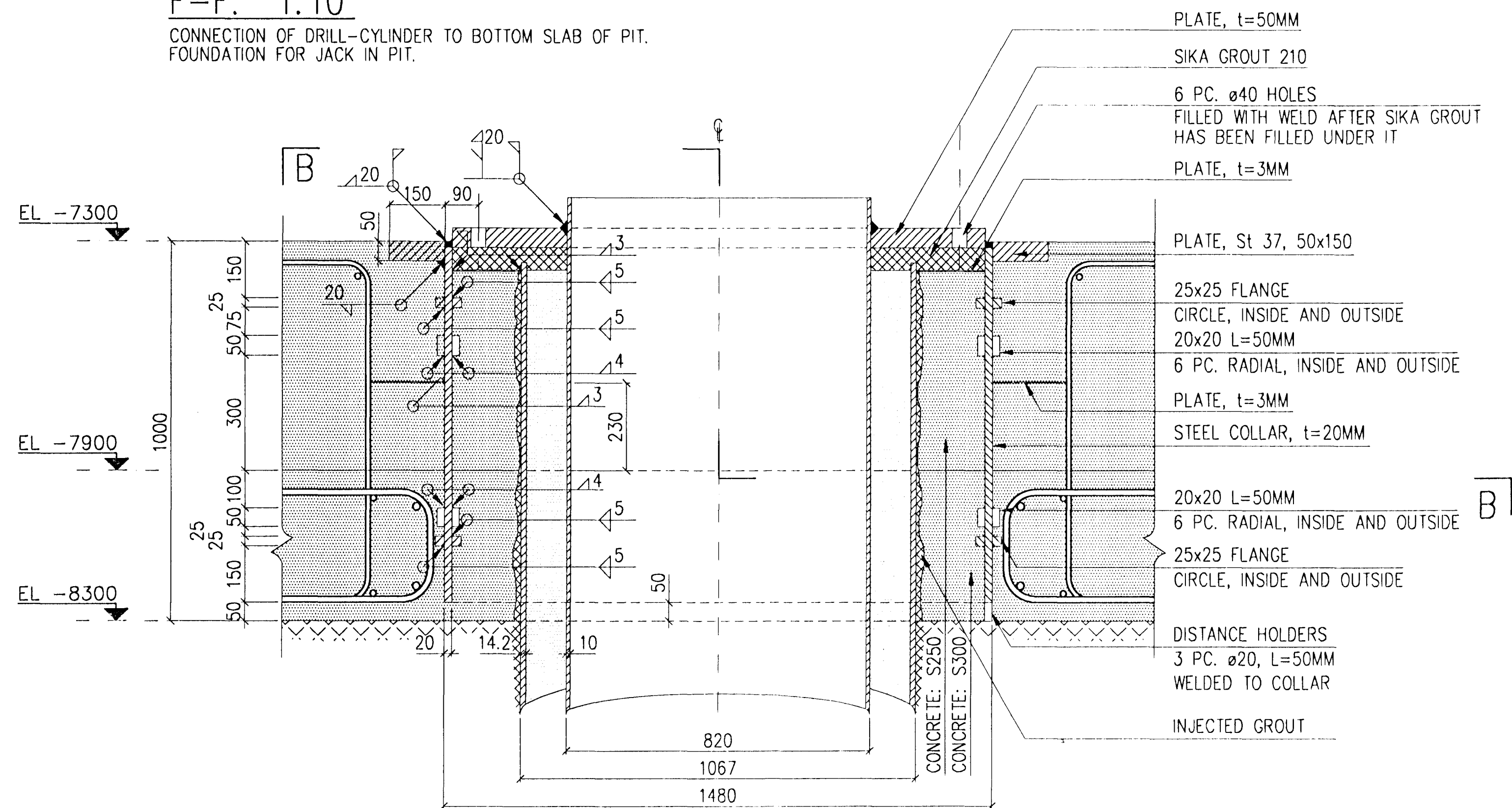


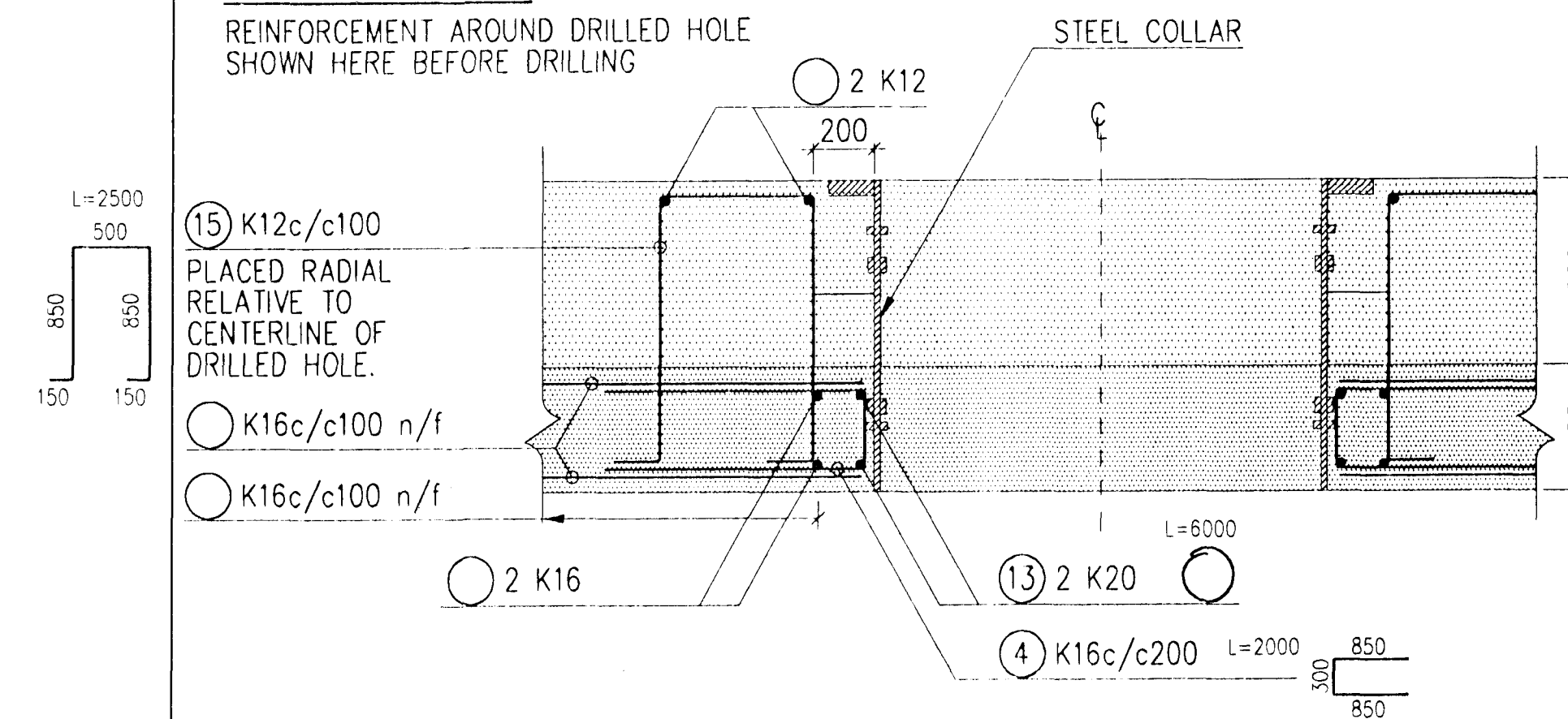
F-F. 1:10

CONNECTION OF DRILL-CYLINDER TO BOTTOM SLAB OF PIT.  
FOUNDATION FOR JACK IN PIT.

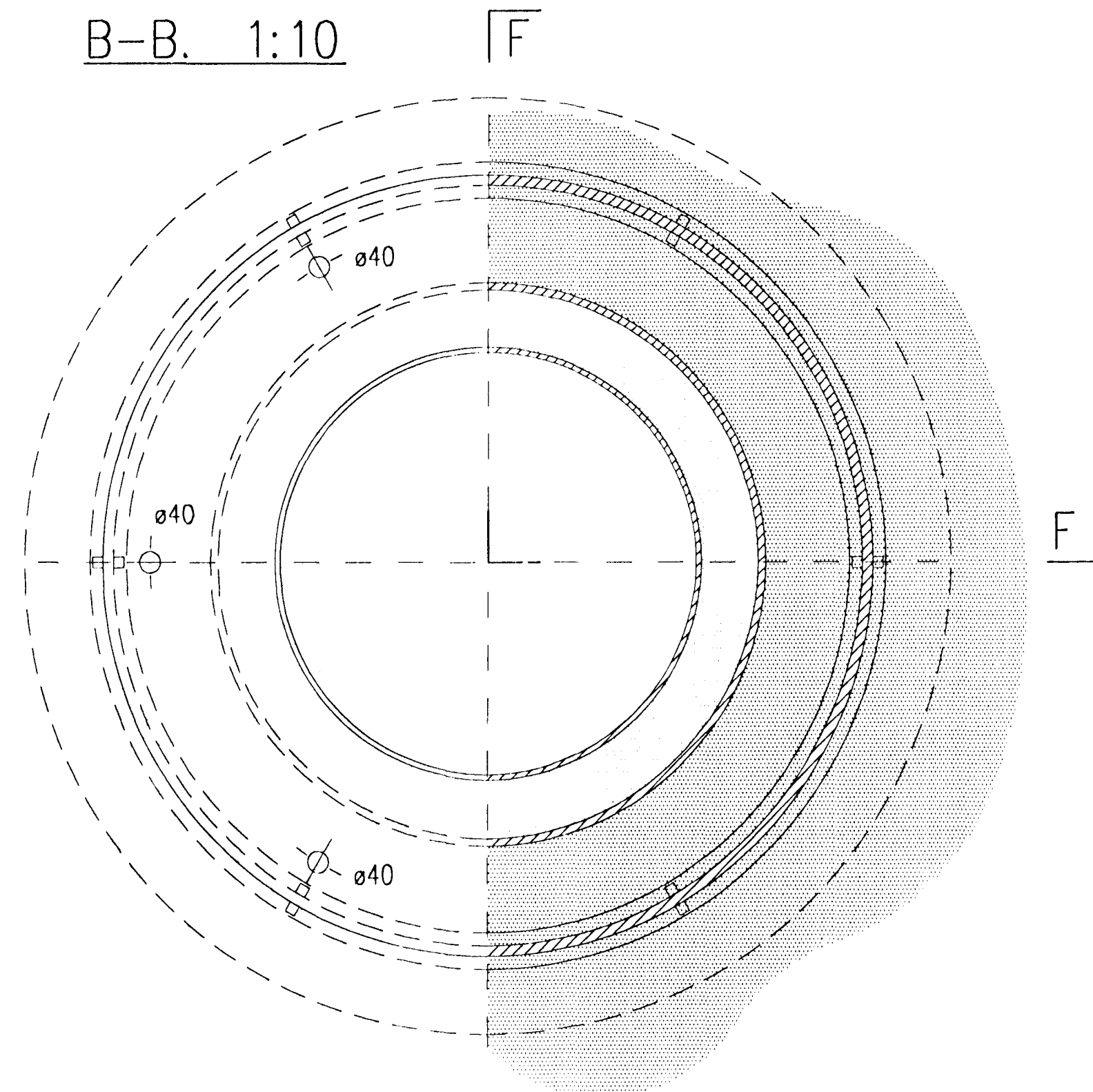


n-n. 1:20

REINFORCEMENT AROUND DRILLED HOLE  
SHOWN HERE BEFORE DRILLING



B-B. 1:10



Handwritten signature or stamp.

REV. NO.	DATE	REVISION	BY	APP.	REV. NO.	DATE	REVISION	BY	APP.	NOTES	SECTION n TAKEN FROM	193.442	DRAWING NUMBER	DRAWN 16.5.1996 HHH	APPROVED 16.5.1996 UH	PROJECT CASTHOUSE EXTENSION STRUCTURAL CASTING MACHINE PIT. SECTION n AND F. CONNECTION OF STEEL PIPES TO PIT.	SCALE 1:20	FORMAT A1	ICELANDIC ALUMINIUM COMPANY LTD.	ALUSUISSE ALESA	ALUSUISSE ENGINEERING LTD. ZURICH SWITZERLAND	79000-34246	2
2 B	15.11.1997	AS BUILD								SECTION F TAKEN FROM	193.441												
1	15.8.1996	ISSUED FOR CONSTRUCTION								MAIN DIMENSIONS	193.441												
0	20.5.1996	ISSUED FOR TENDER								REFERENCE DRAWING		DRAWING NUMBER							VERKFRÆDISTOFAN ONN SF. TAEKNITHJONUSTAN SF.		193.446	B	