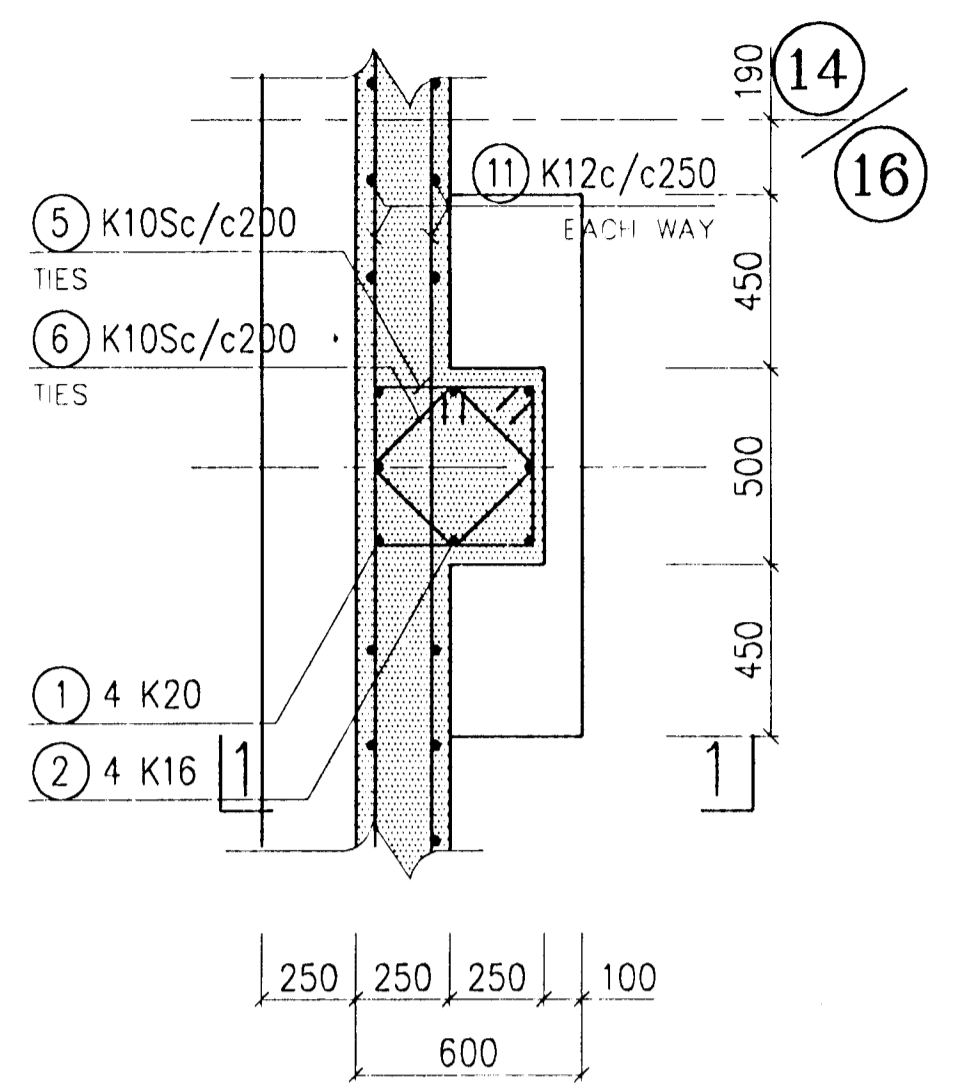
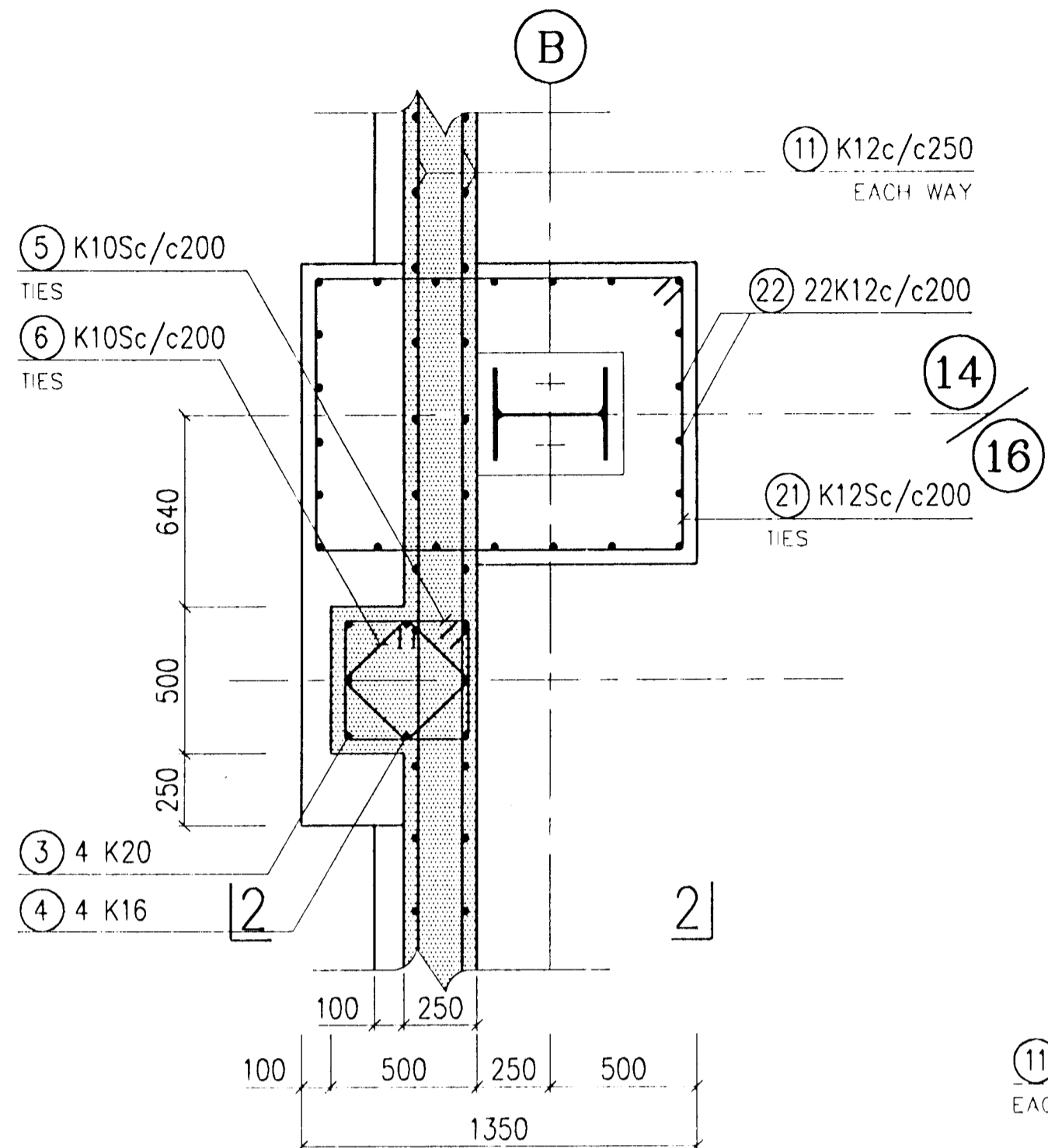


FOUNDATION F1. 1:20



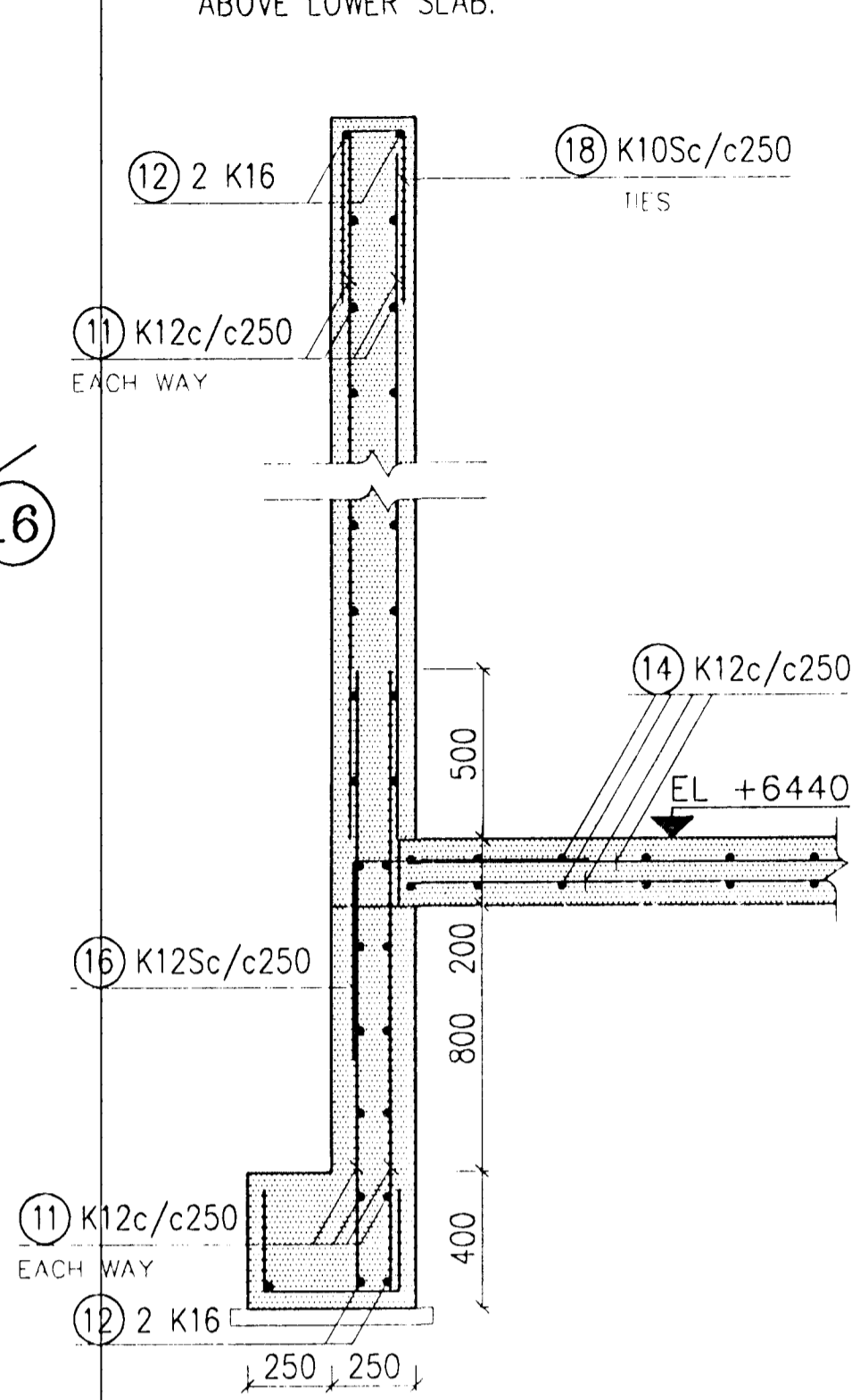
FOUNDATION F2. 1:20

QUANTITY: 2

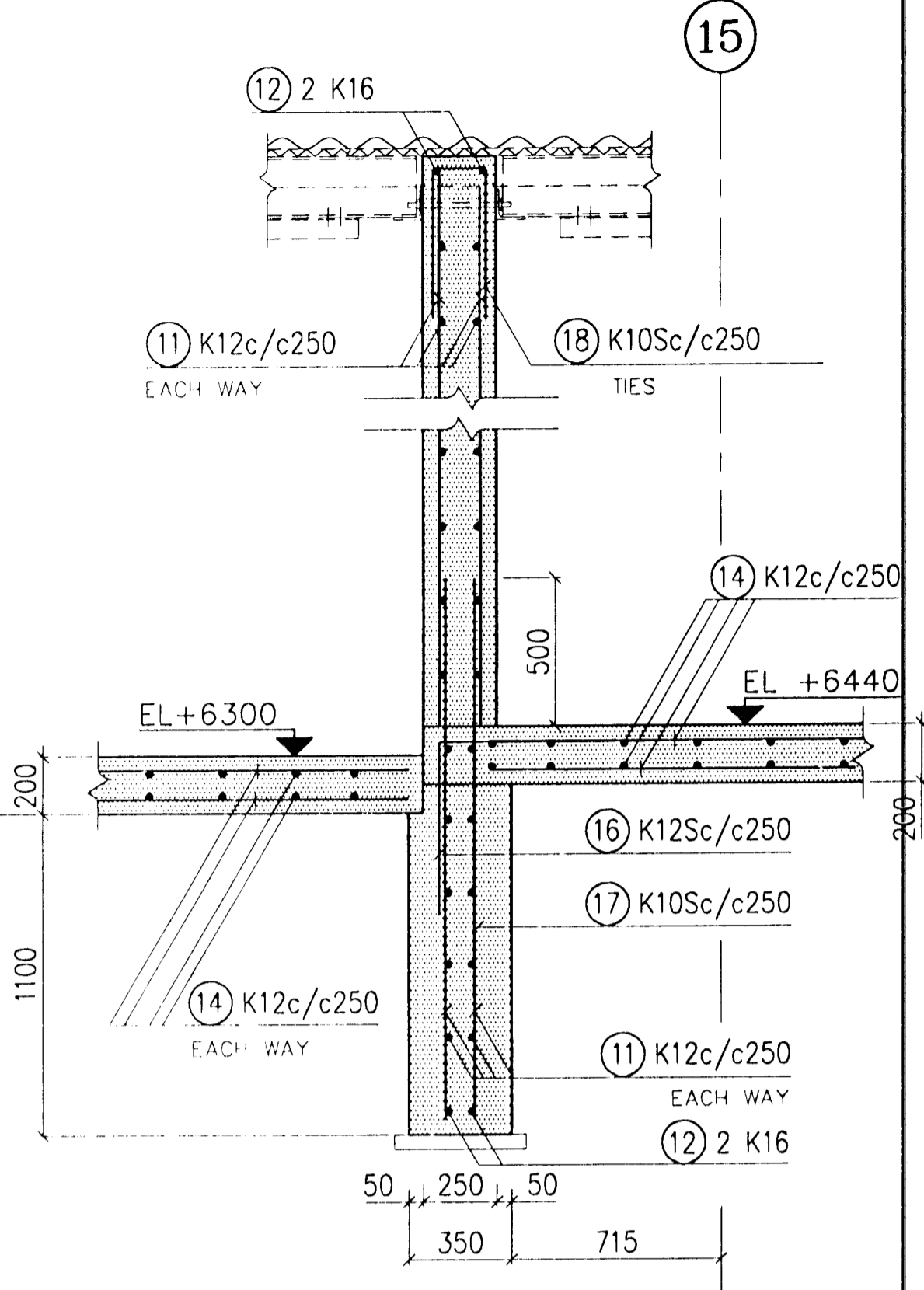


A-A. 1:20

SECTION A'-A' IS THE SAME ABOVE LOWER SLAB.

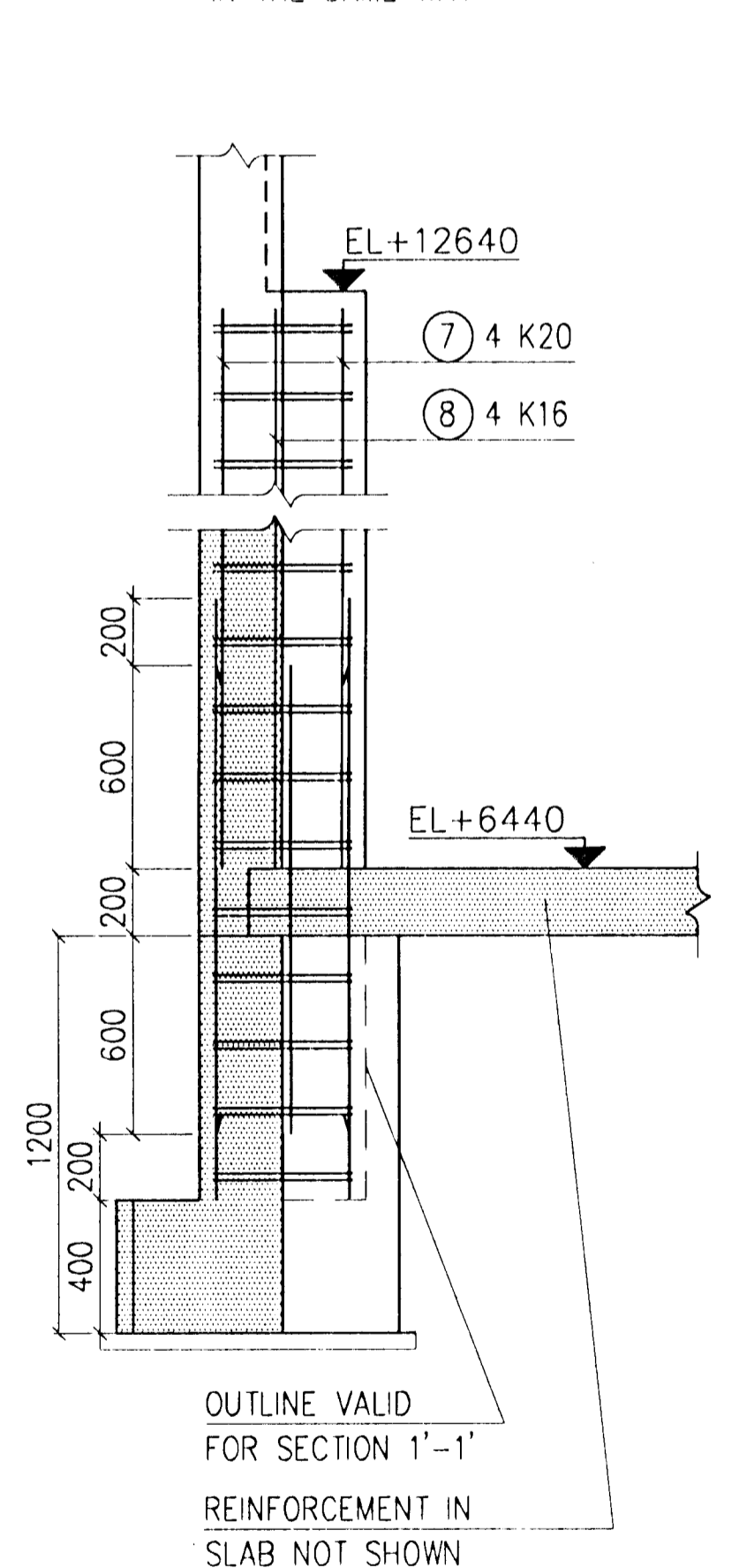


B-B. 1:20



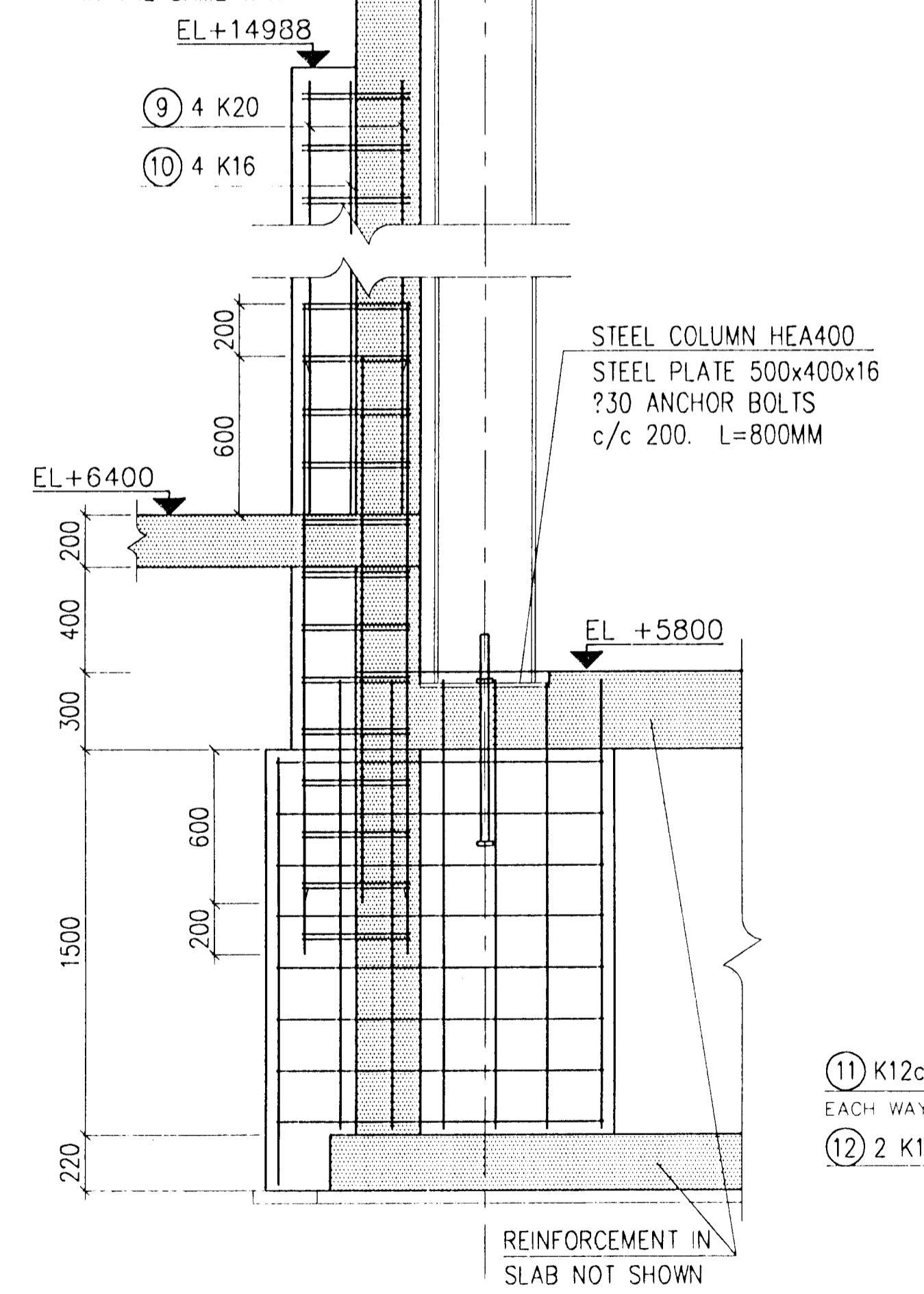
1-1. 1:20

1'-1' IS REINFORCED IN THE SAME WAY



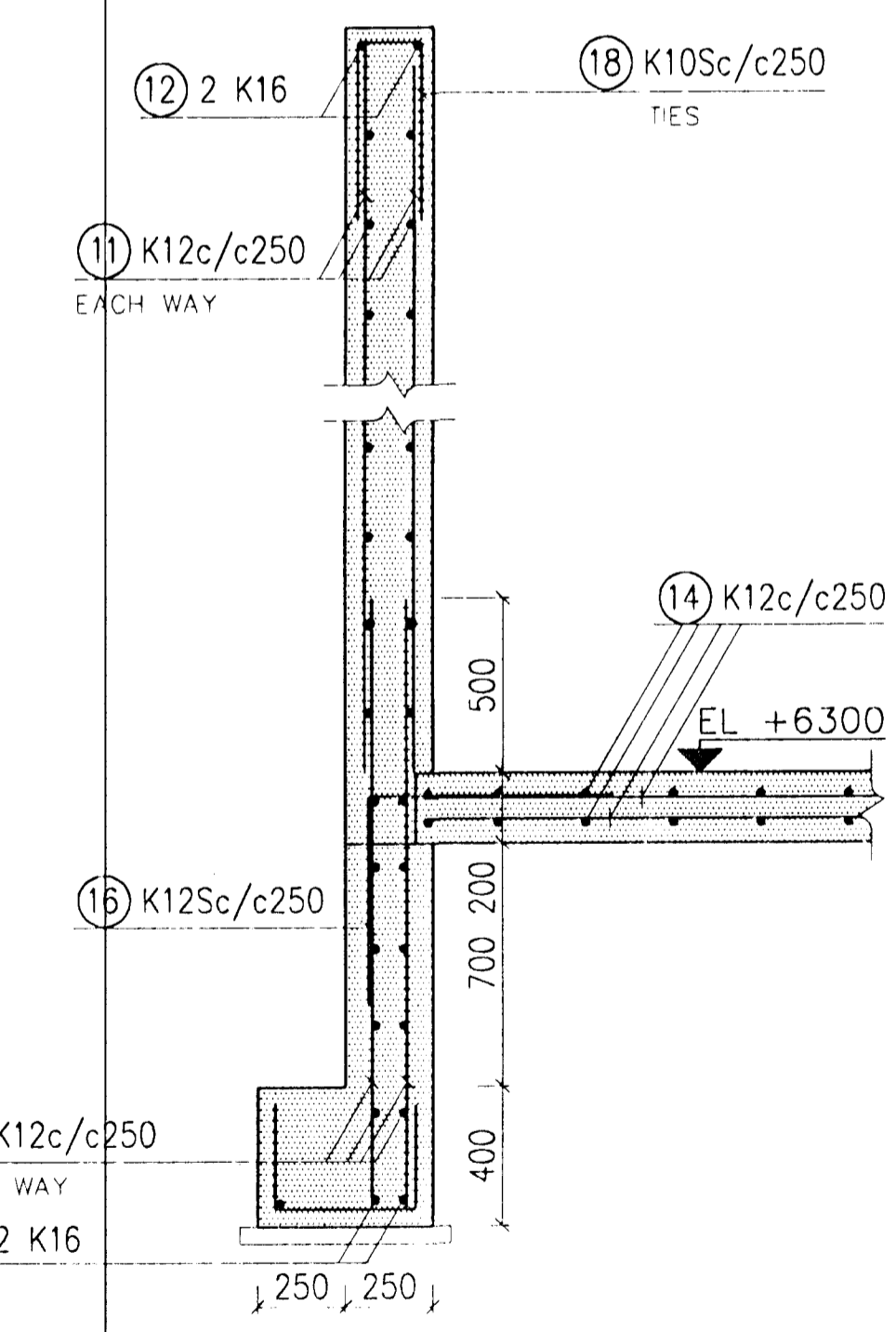
2-2. 1:20

2'-2' IS REINFORCED IN THE SAME WAY



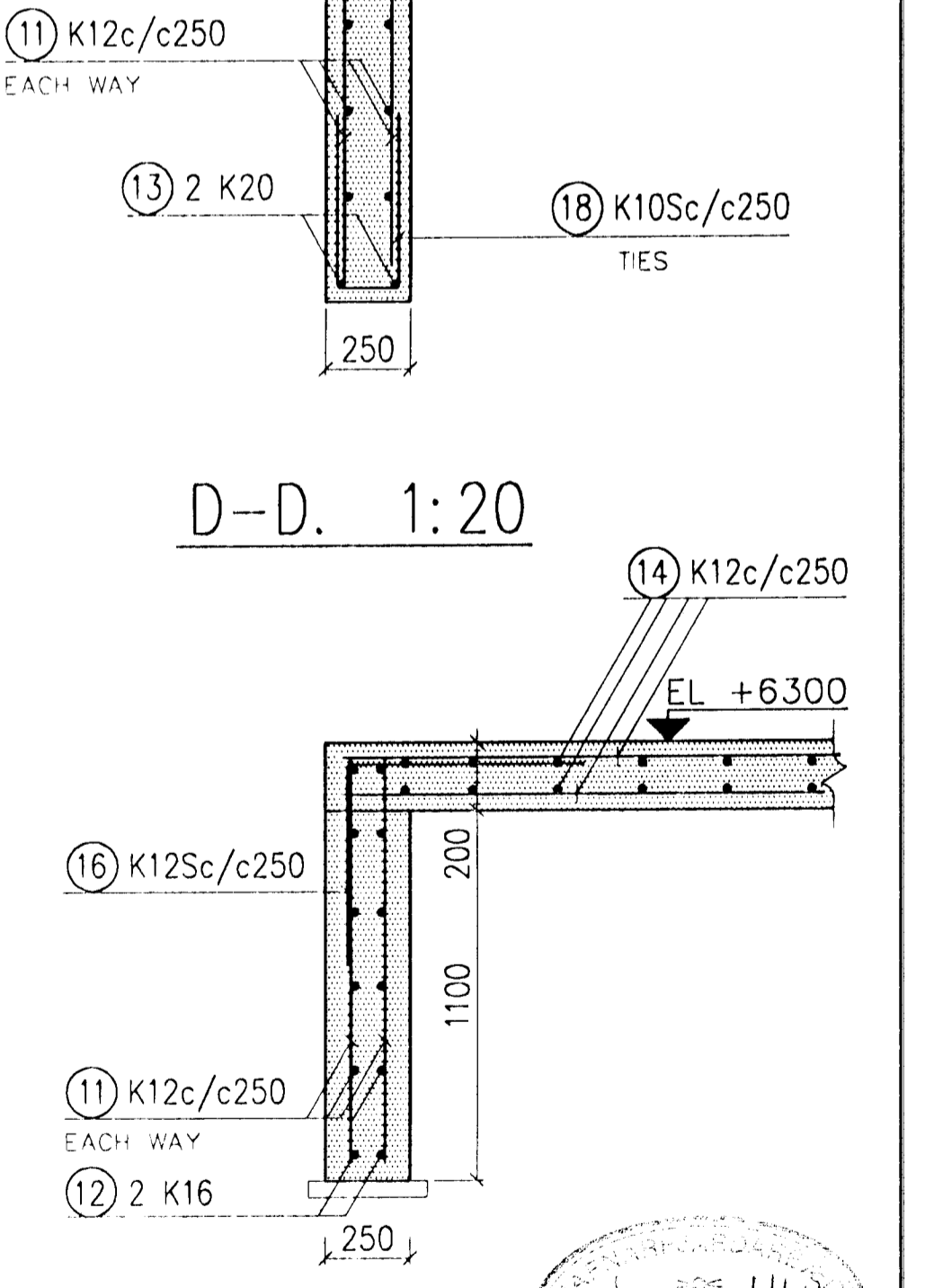
C-C. 1:20

REINFORCEMENT IN SECTION C'-C' IS THE SAME ABOVE SLAB. SAME IS VALID FOR SECTION C''-C''.



SECTION OVER DOOR OPENINGS AND THROUGH SIDES OF OPENINGS. 1:20

D-D. 1:20



REV. NO.	DATE	REVISION	BY	APP.	REV. NO.	DATE	REVISION	BY	APP.	NOTES	REFERENCE DRAWING	DRAWING NUMBER
5	3.11.1997	AS BUILT										
4	13.1.1996	COLLISION PROTECTION FOR DOOR										
3	18.12.1996	AS BUILT DRAWING FOR FOUNDATIONS										
2	9.12.1996	SLAB BETWEEN 15 AND 17 CHANGED										
1	15.8.1996	ISSUED FOR CONSTRUCTION										
0	20.5.1996	ISSUED FOR TENDER										

COLLISION PROTECTION CORNER DETAIL	193.494
COLLISION PROTECTION	193.494
VERKFRÆDISTOFAN ONN SF. TAEKNITHJONUSTAN SF.	193.491

ICELANDIC ALUMINIUM COMPANY LTD.	ALUSUISSE ALESA	ALUSUISSE ENGINEERING LTD. ZÜRICH SWITZERLAND	79000-34291
DRAWN 2.5.1996 HHH	APPROVED 2.5.1996 JK/UH	PROJECT	SCALE 1:100
CASTHOUSE EXTENSION - DROSS STORAGE STRUCTURAL SLAB REINFORCEMENT SECTIONS			5

This drawing is our property and given for personal use only. It may not be copied or made available to others without our permission. The receiver is responsible for any misuse.

