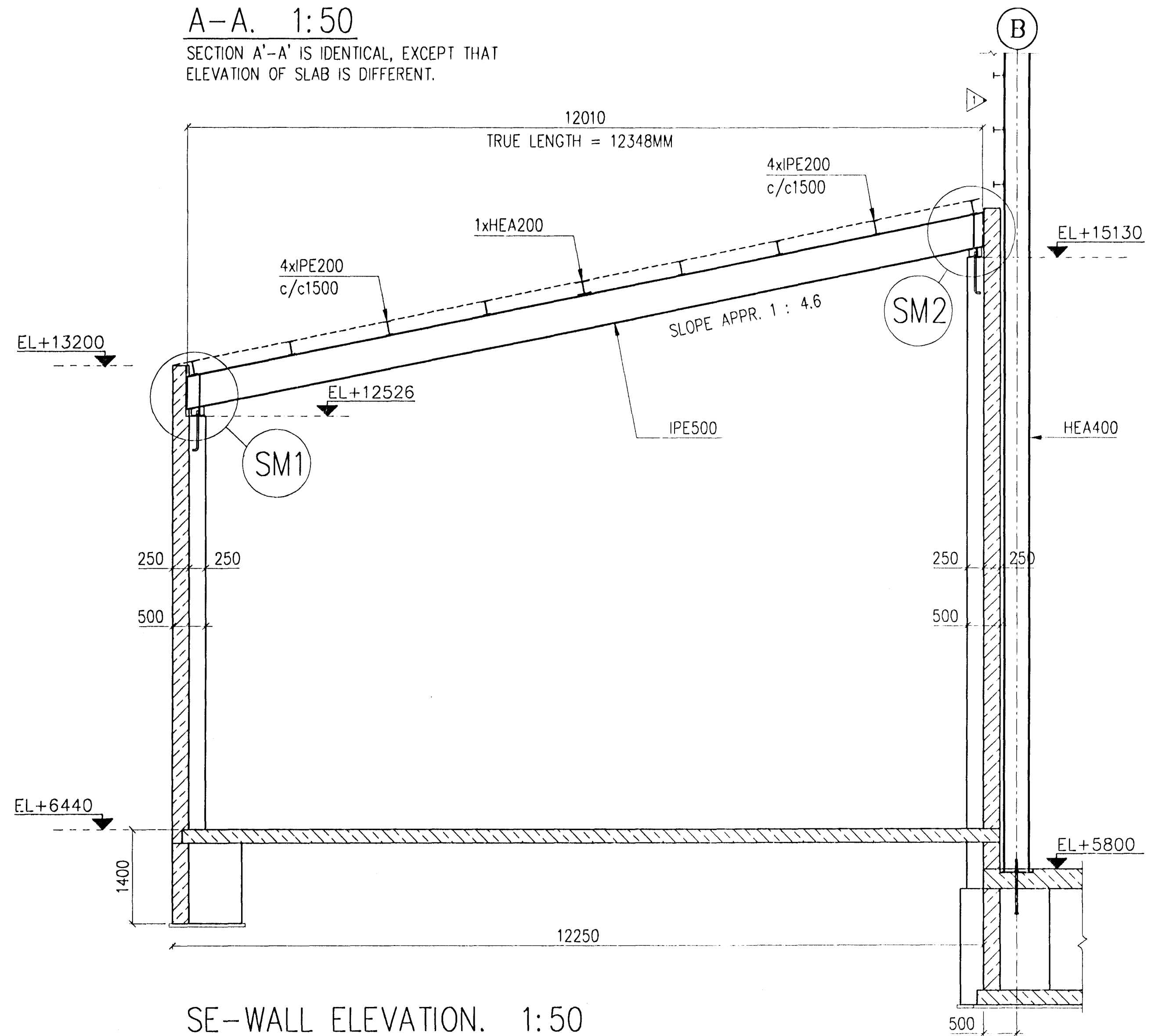


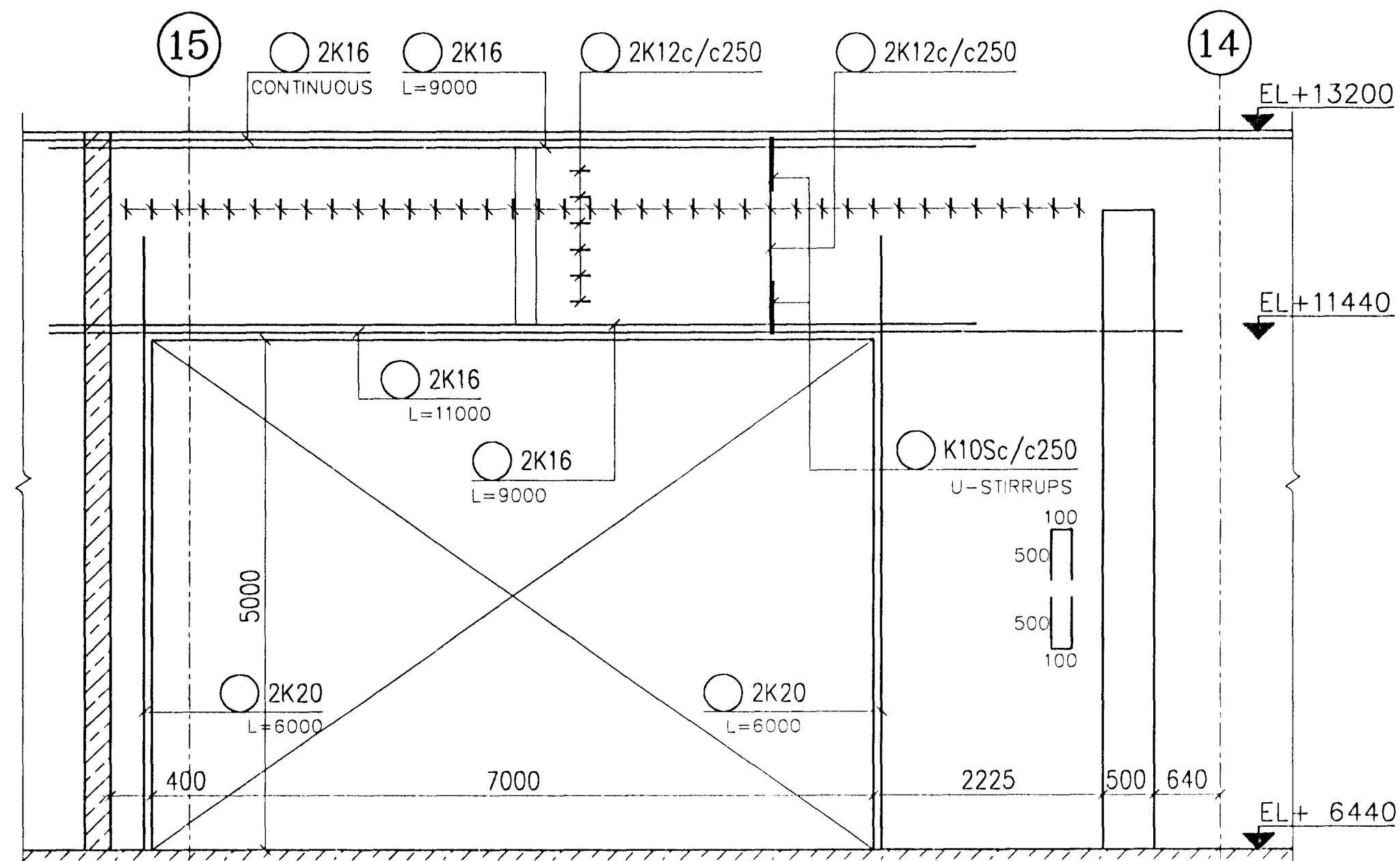
A-A. 1:50

SECTION A'-A' IS IDENTICAL, EXCEPT THAT ELEVATION OF SLAB IS DIFFERENT.

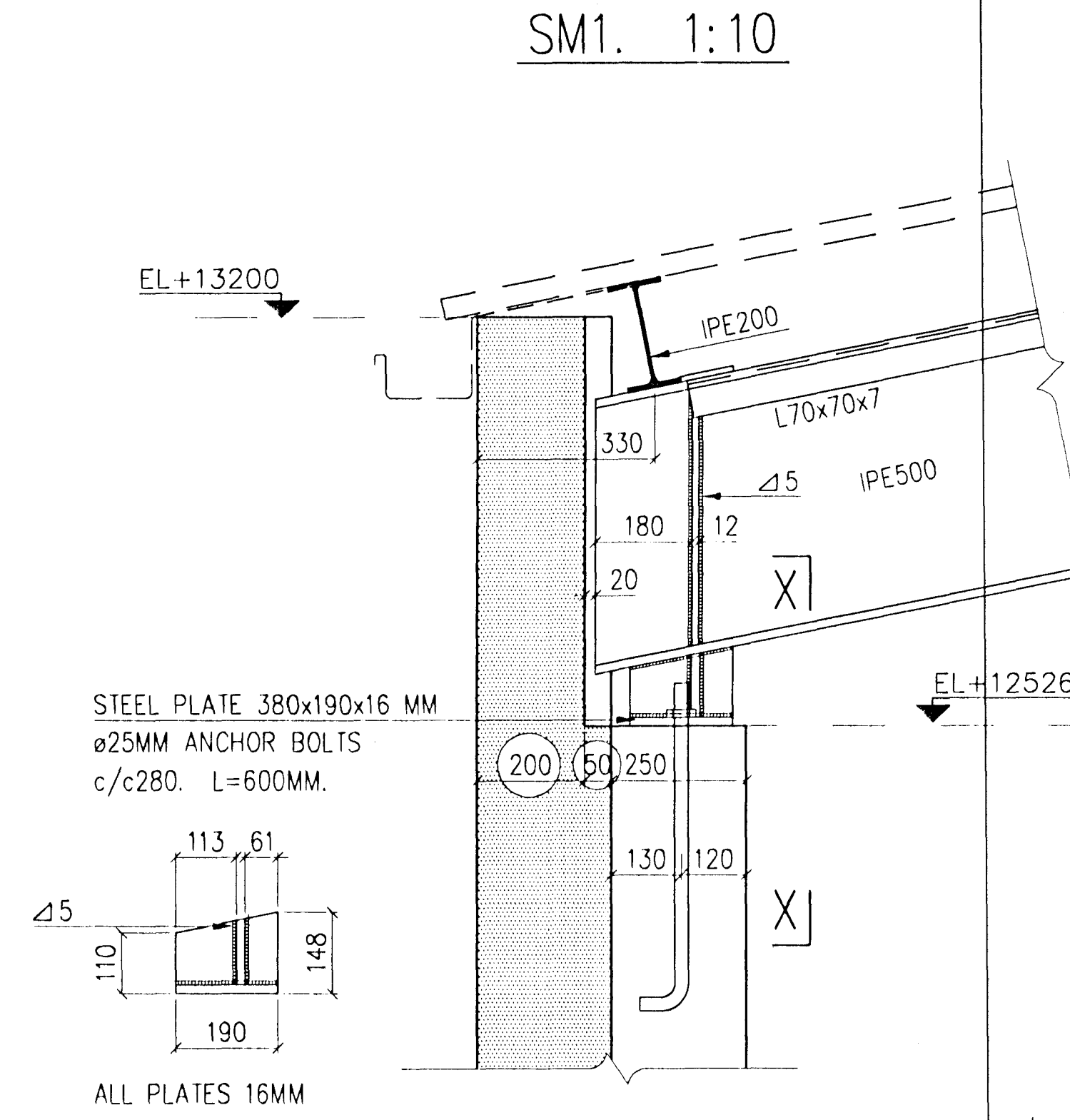


SE-WALL ELEVATION. 1:50

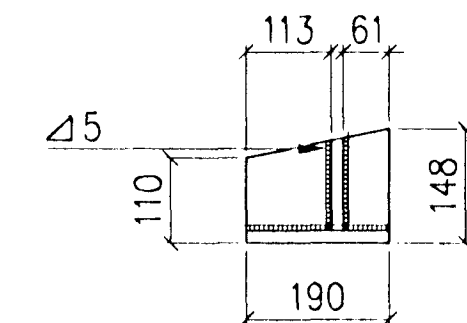
NEW DOOR OPENING



SM1. 1:10

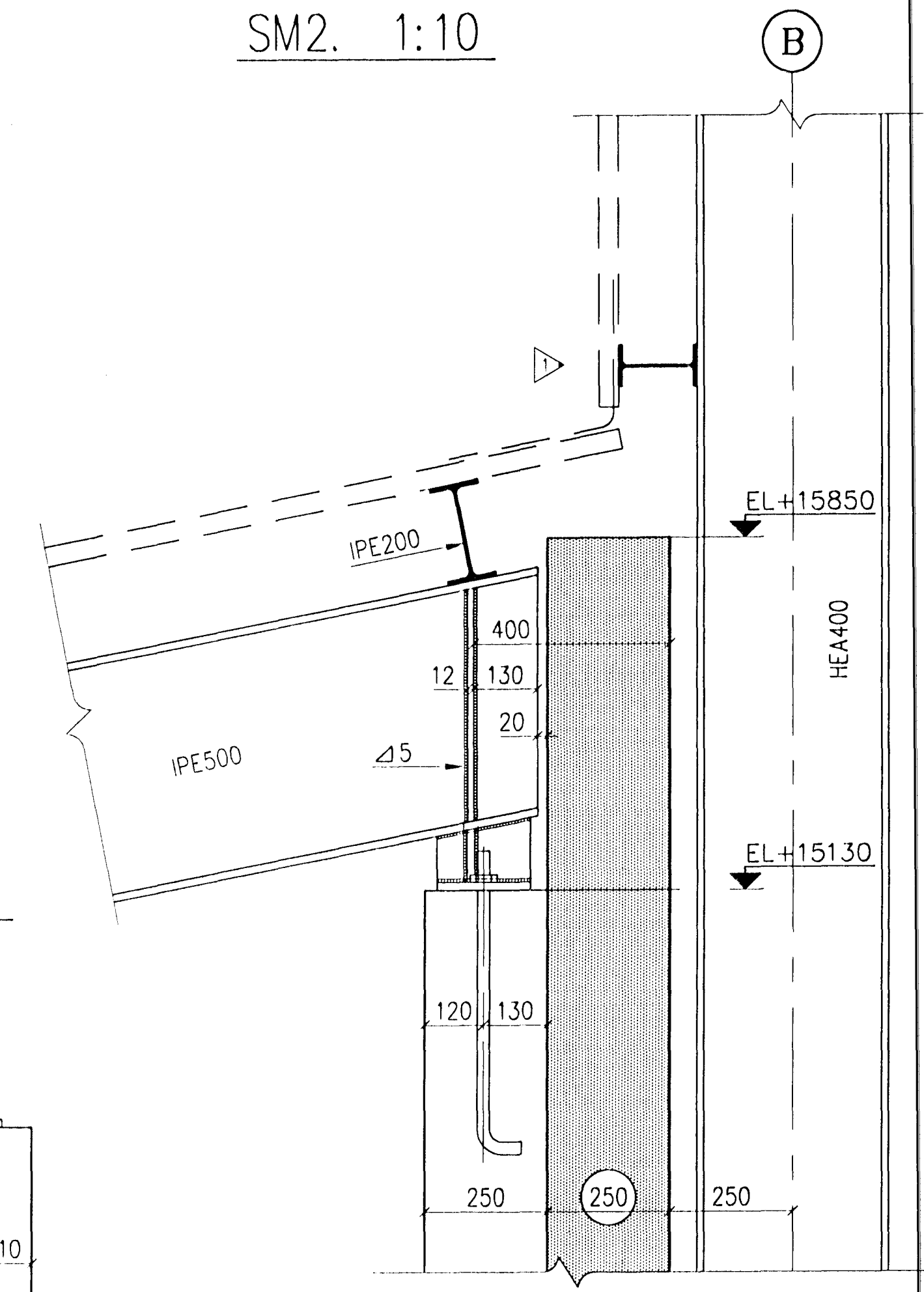


STEEL PLATE 380x190x16 MM
ø25MM ANCHOR BOLTS
c/c280. L=600MM.

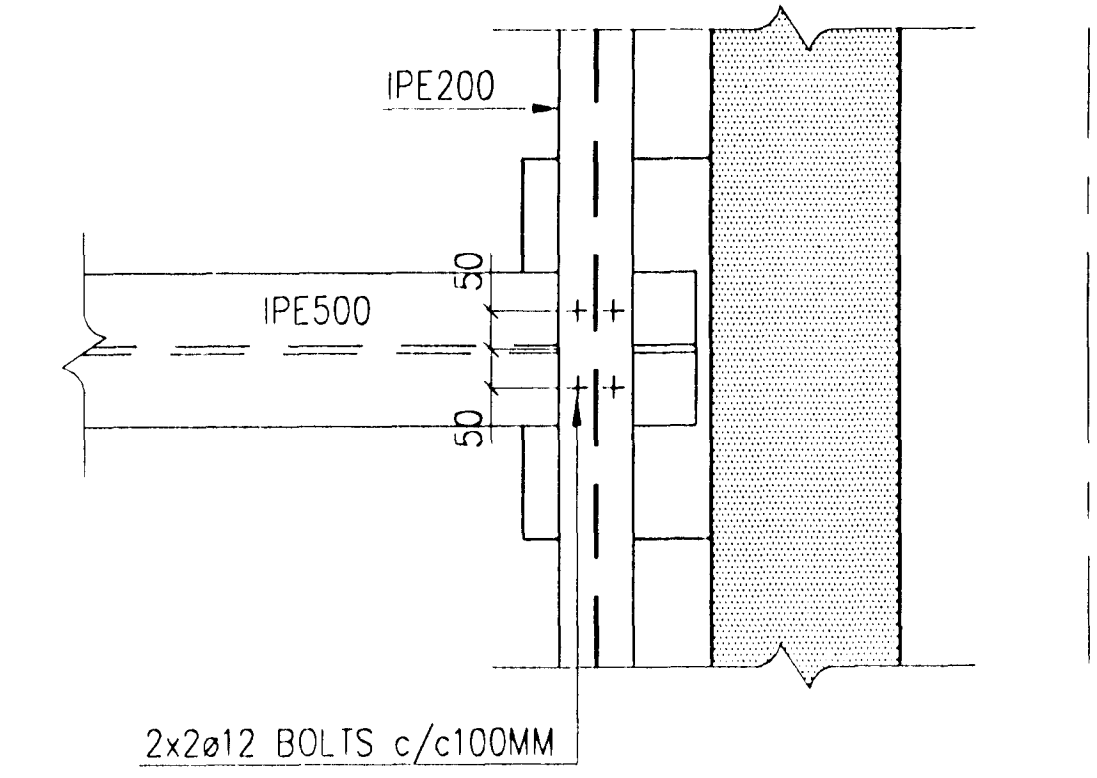
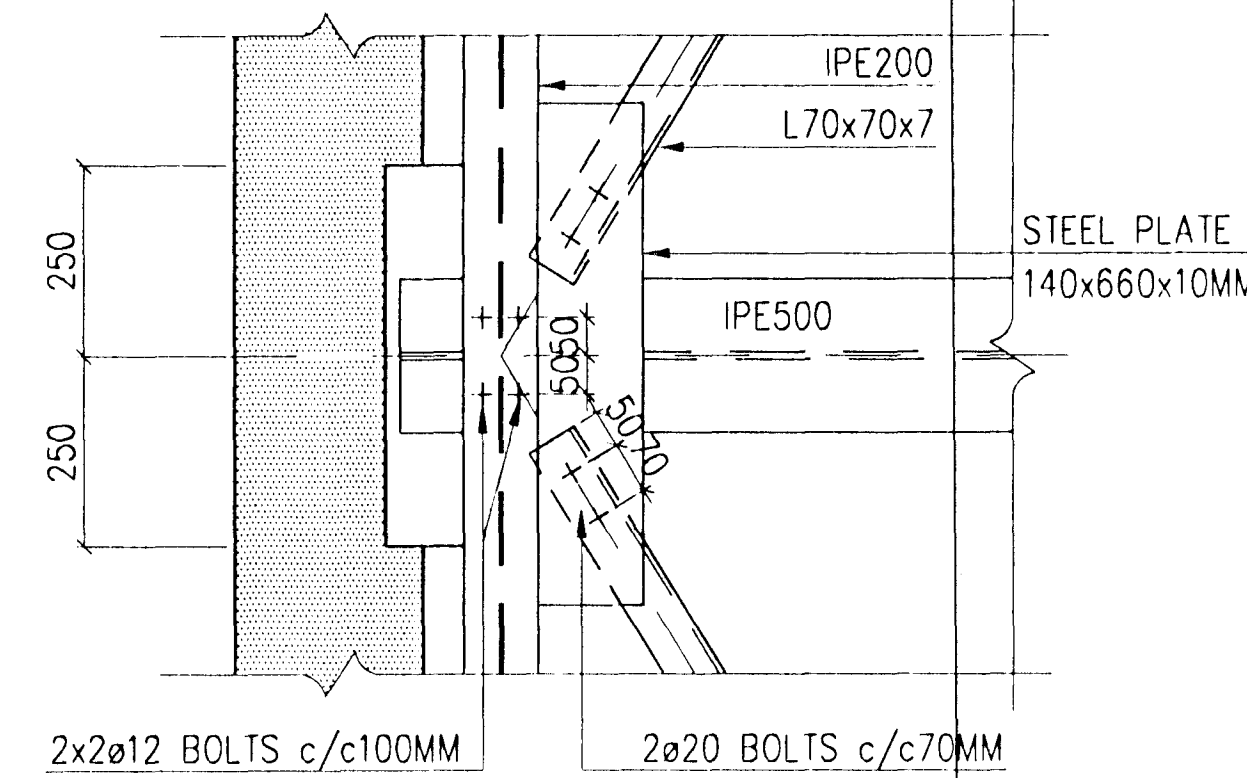
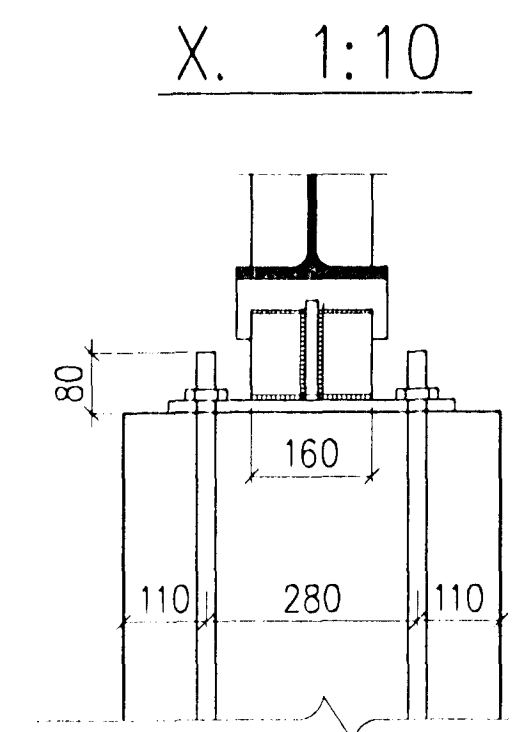


ALL PLATES 16MM

SM2. 1:10



X. 1:10



REV. NO.	DATE	REVISION	BY	APP.	REV. NO.	DATE	REVISION	BY	APP.	NOTES	REFERENCE DRAWING	DRAWING NUMBER
4	15.11.1997	AS BUILD	UH									
3	20.12.1996	NEW DOOR OPENING	UH									
2	15.8.1996	ISSUED FOR CONSTRUCTION	UH									
1	11.6.1996	GIRTS ADJUSTED TO OLDER BUILDING	HHH	UH								
0	20.5.1996	ISSUED FOR TENDER										

This drawing is our property and given for personal use only. It may not be copied or made available to others without our permission. The receiver is responsible for any misuse.

ICELANDIC ALUMINIUM COMPANY LTD.

ALUSUISSE ALESA

ALUSUISSE ENGINEERING LTD. ZÜRICH SWITZERLAND

VERKFRÆDISTOFAN ÖNN SF. TÆKNITHJONUSTAN SF.

DRAWN: 2.5.1996 HHH
APPROVED: 2.5.1996 JK/UH
PROCESS: []
PROJECT: []
SCALE: 1:50
DATE: []

CASHOUSE EXTENSION - DROSS STORAGE STRUCTURAL SECTION AND DETAILS.

79000-34292

193.492

4