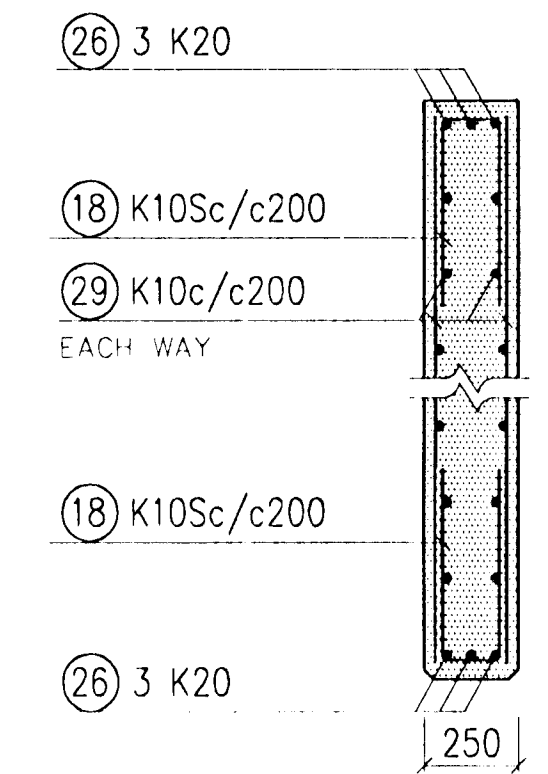
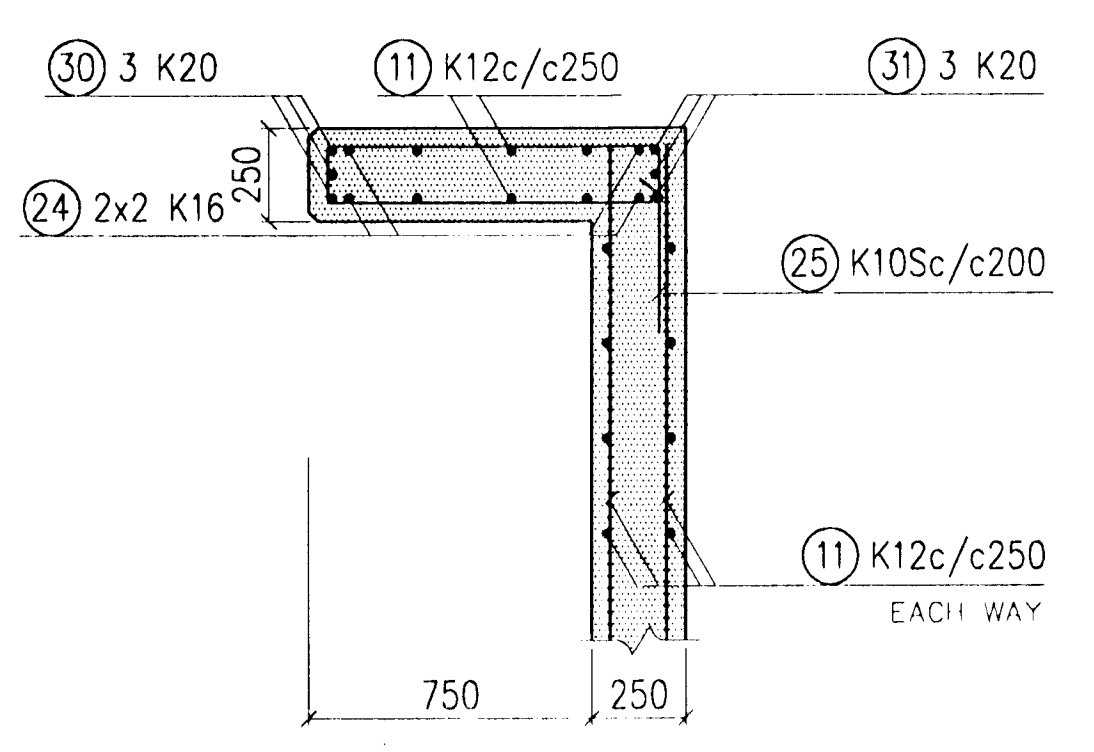
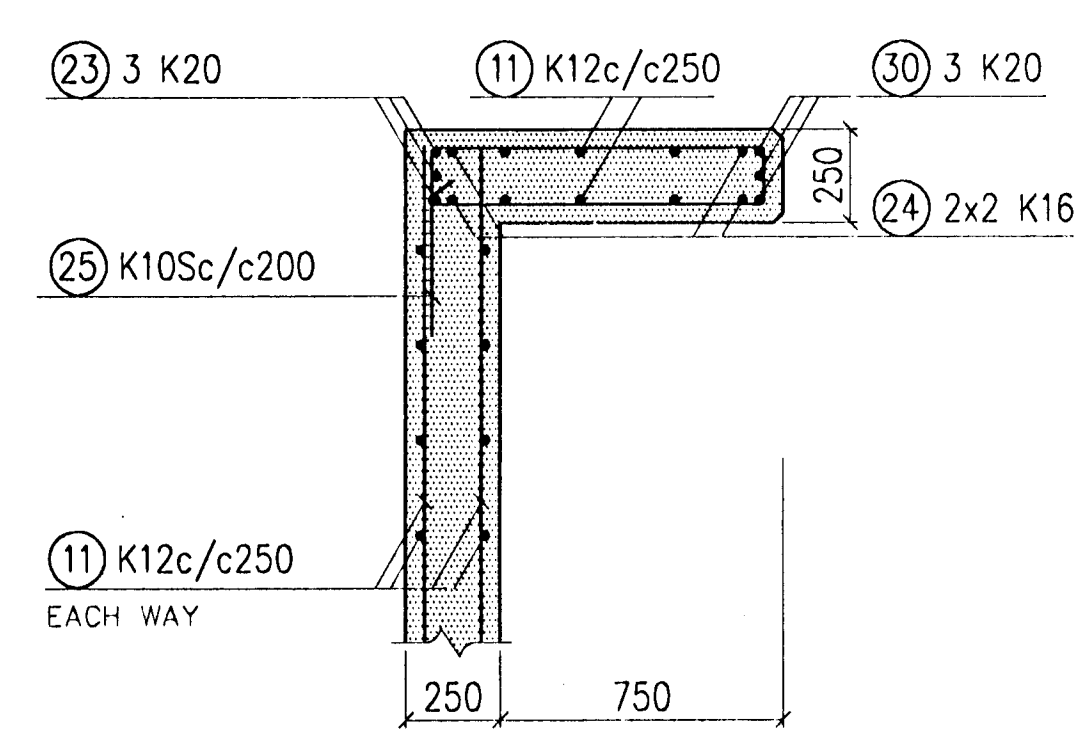


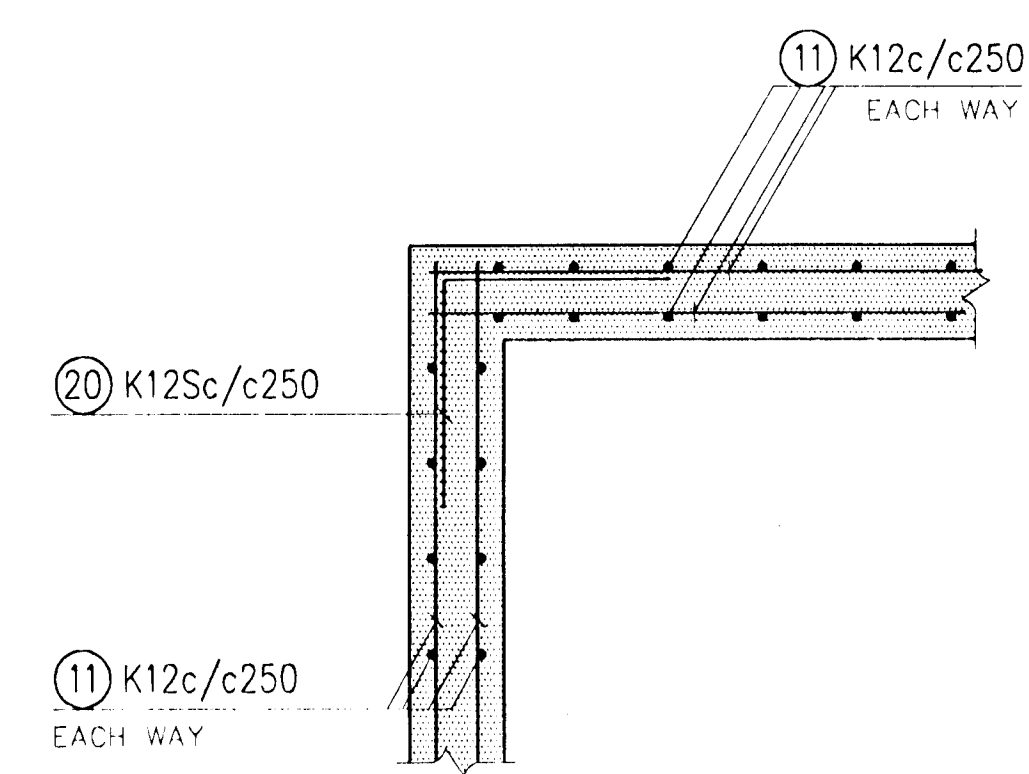
C - C. 1:20

D - D. 1:20

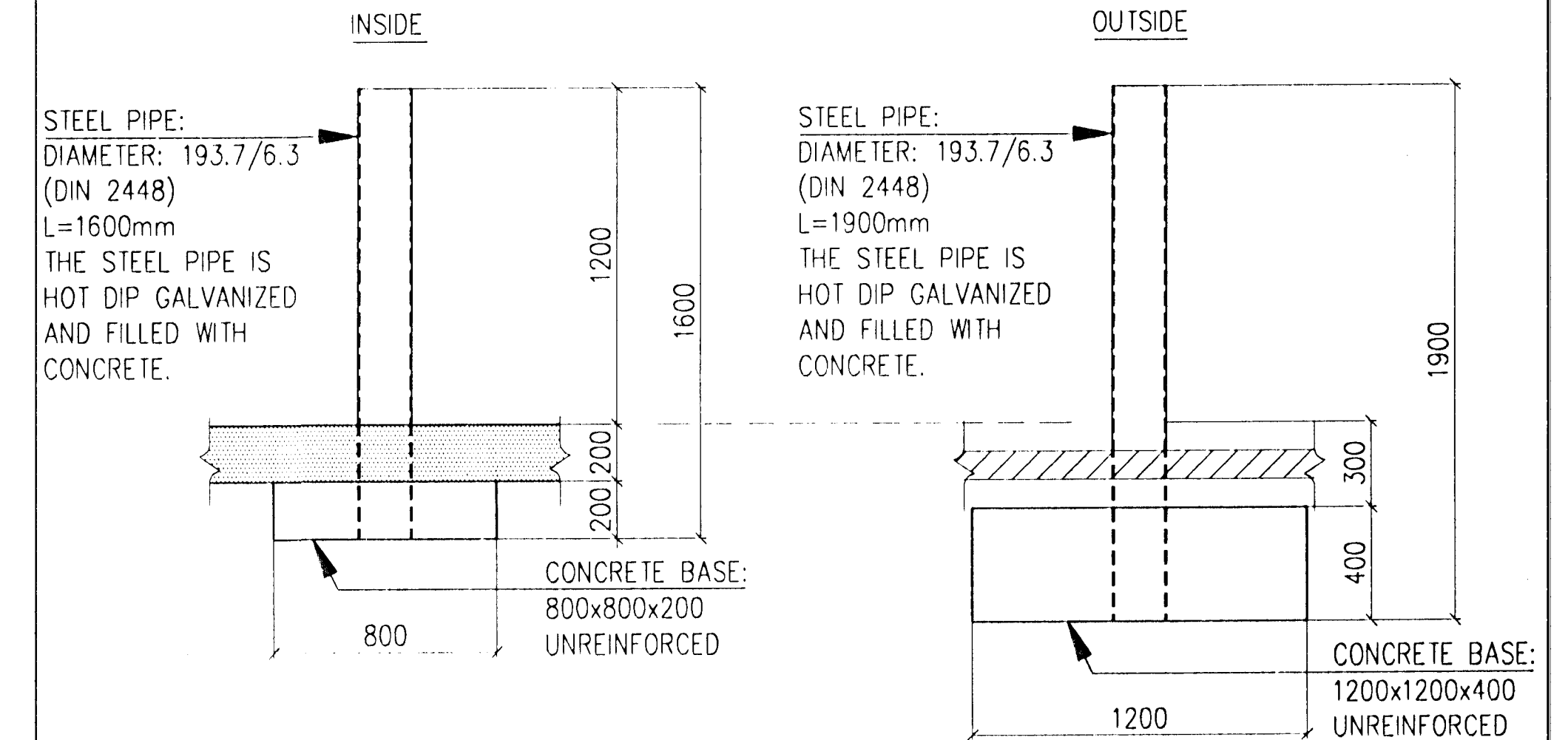
E - E. 1:20



CORNER DETAIL. 1:20



COLLISION PROTECTION FOR DOORS. 1:20



REV. NO.	DATE	REVISION	BY	APP.	REV. NO.	DATE	REVISION	BY	APP.	NOTES	REFERENCE DRAWING	DRAWING NUMBER	REVISION
4	14.12.1997	AS BUILD											
3	13.1.1996	COLLISION PROTECTION FOR DOORS											
2	3.2.1997	NEW DOOR OPENING IN AXIS B											
1	15.8.1996	ISSUED FOR CONSTRUCTION											
0	20.5.1996	ISSUED FOR TENDER											

This drawing is our property and given for personal use only. It may not be copied or made available to others without our permission. The receiver is responsible for any misuse.	DRAWN 3.5.1998 HHH APPROVED 3.5.1998 JK/UH PROJECT SCALE 1:50 FORMAT A1	CASTHOUSE EXTENSION - DROSS STORAGE STRUCTURAL SECTION B-B AND DETAILS CORNER DETAIL
	ICELANDIC ALUMINIUM COMPANY LTD. ALESUISSE ALUMINIUM ALESUISSE ALUMINIUM LTD. ZURICH SWITZERLAND	79000-34294 193.494
	VERKFRÆDISTOFAN ÖNN SF. TÆKNITHJONUSTAN SF.	4 D