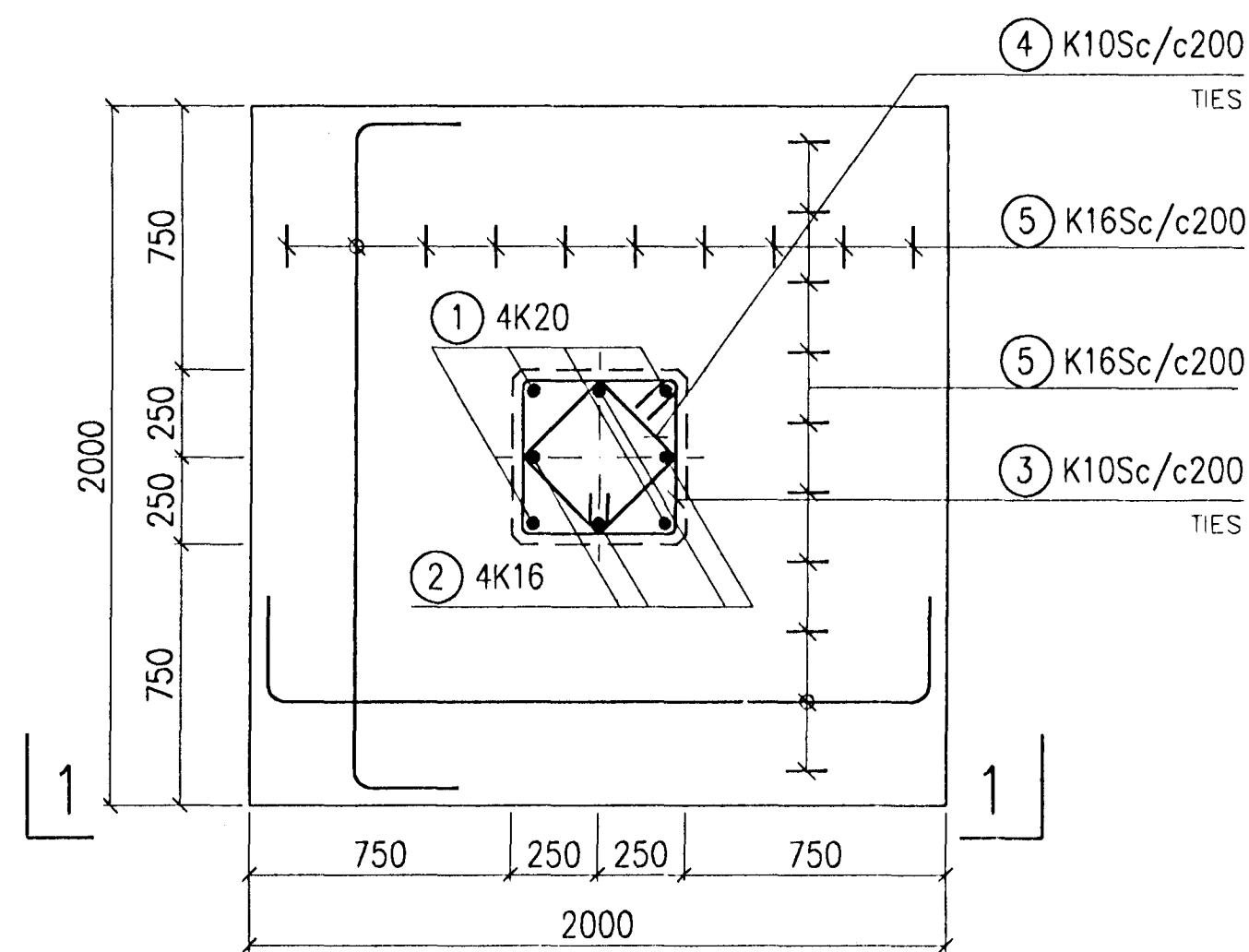
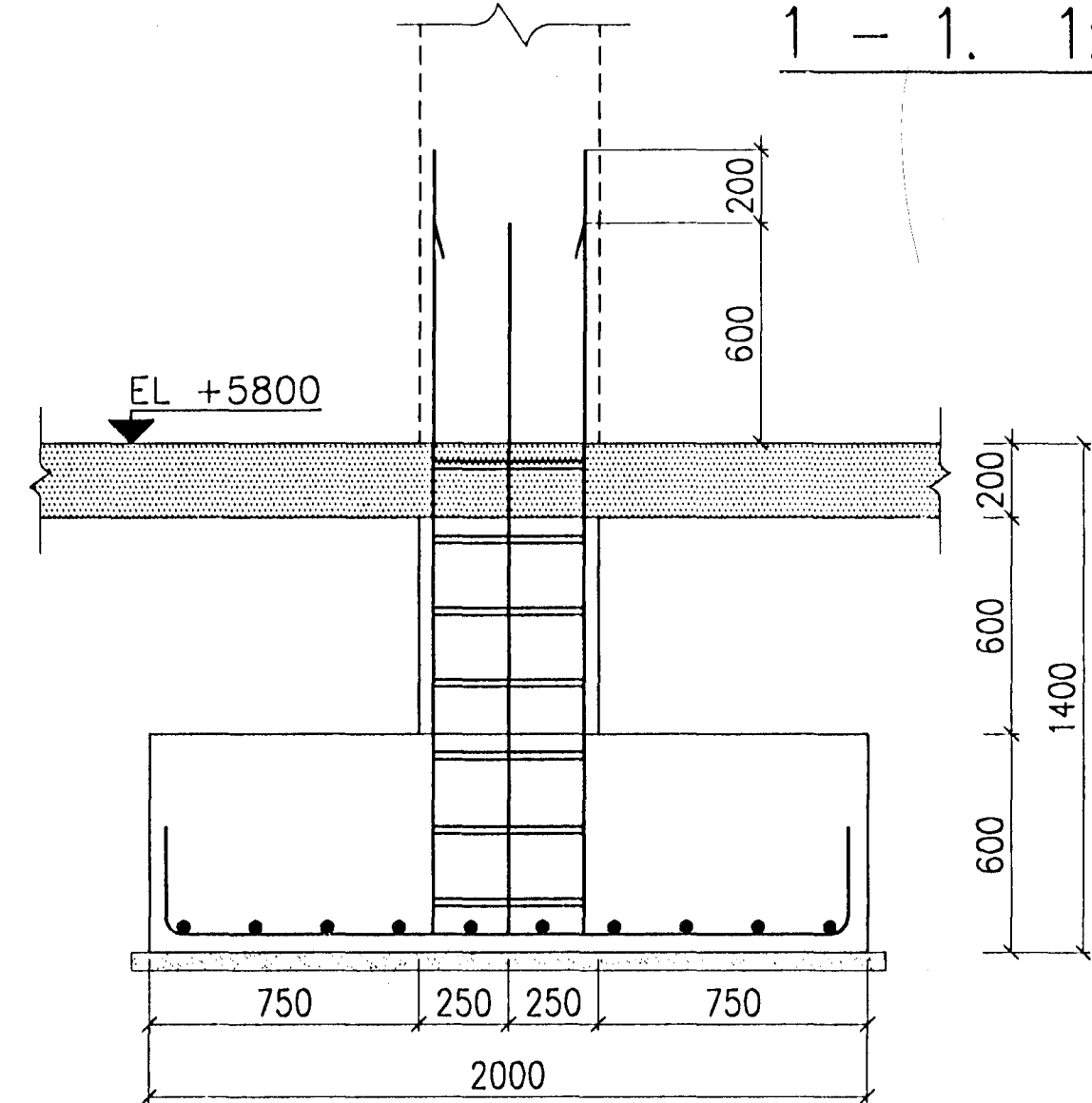


FOUNDATION F1. 1:20

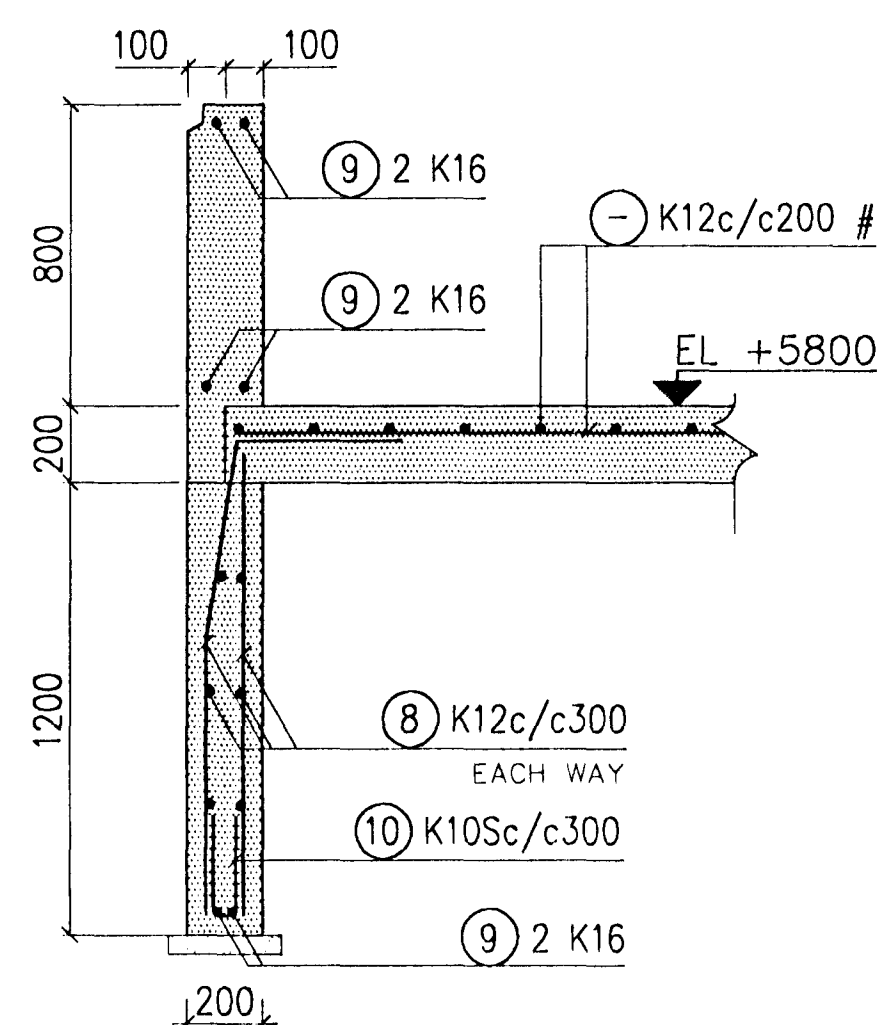
QUANTITY: F1: 8.



1 - 1. 1:20

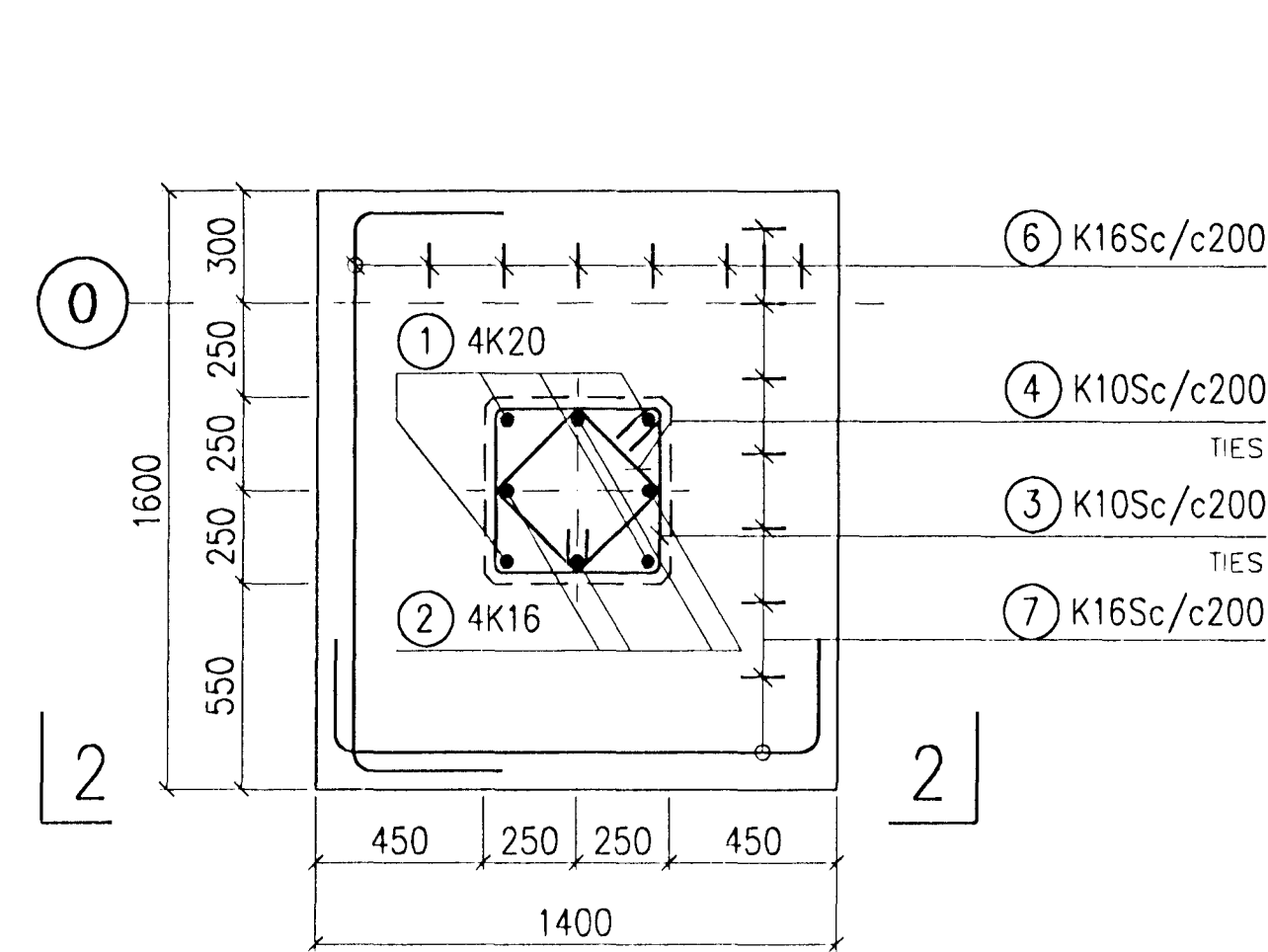


A - A. 1:20

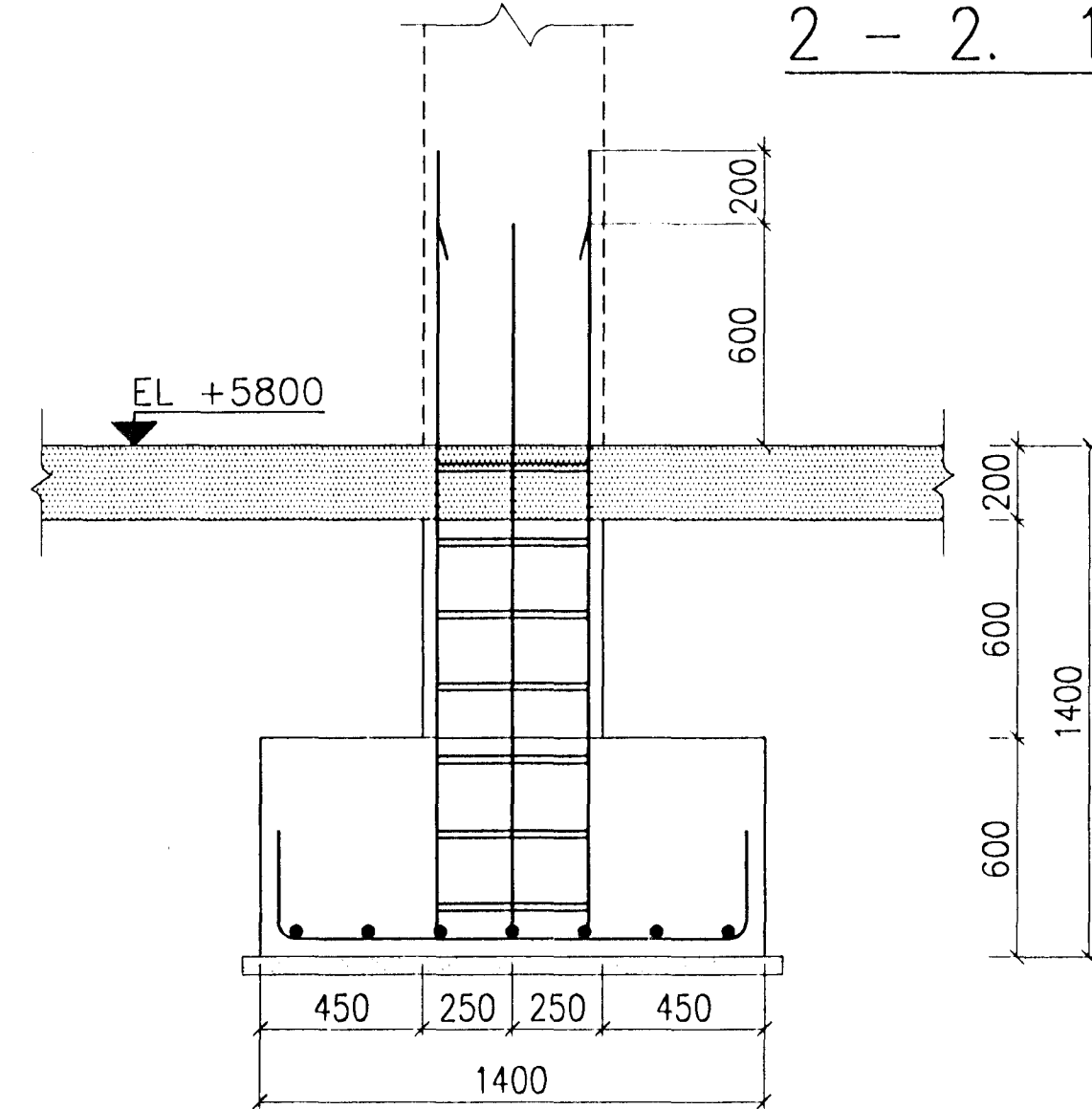


FOUNDATION F2. 1:20

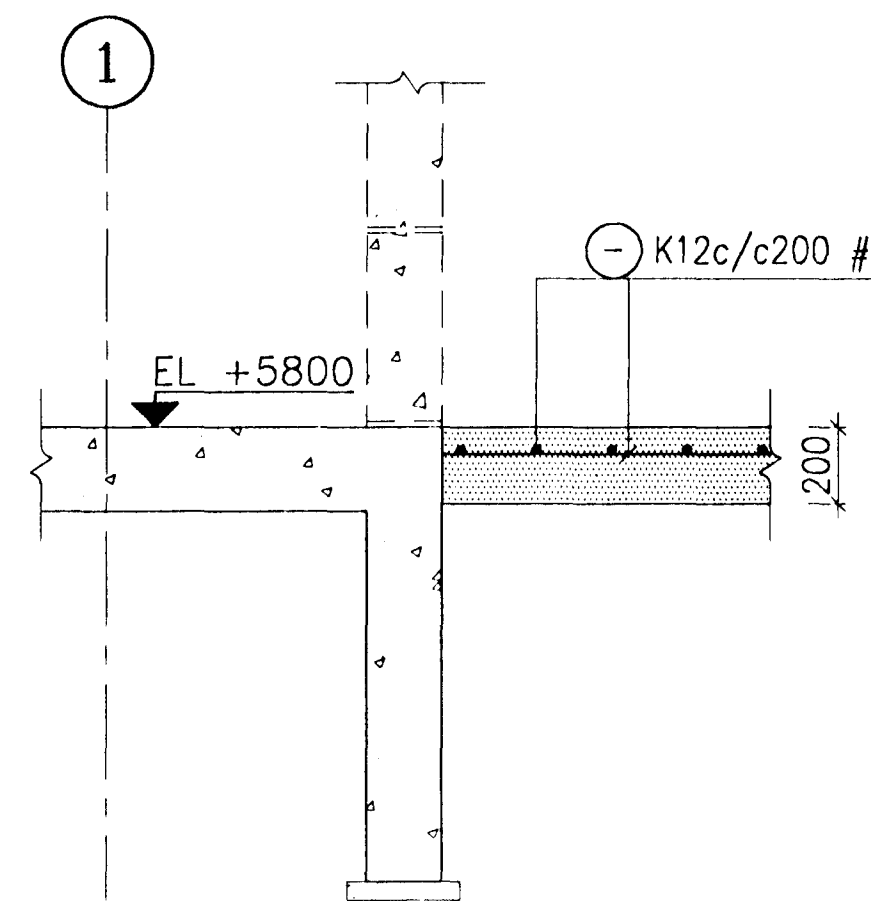
QUANTITY: 4.



2 - 2. 1:20

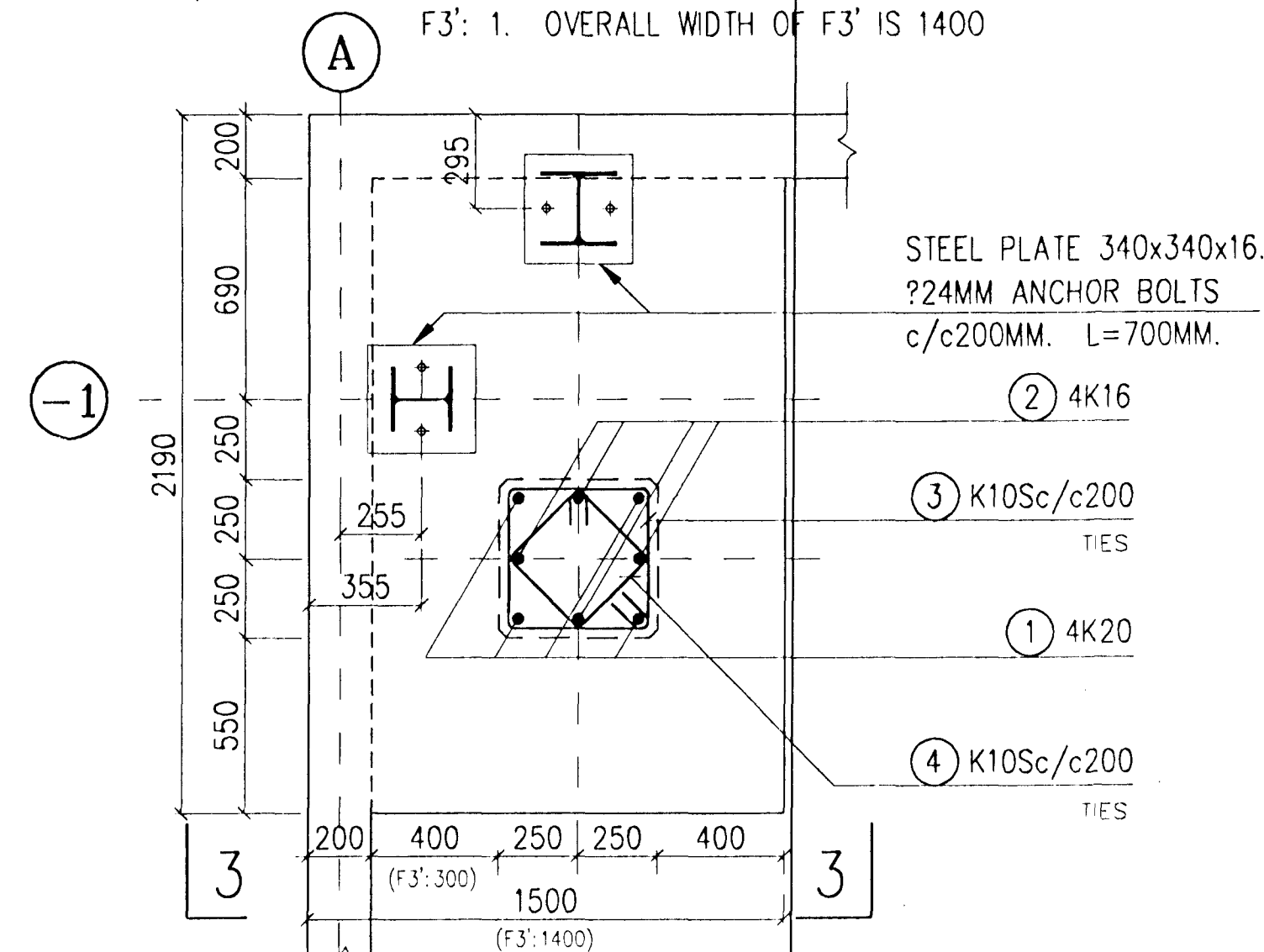


B - B. 1:20

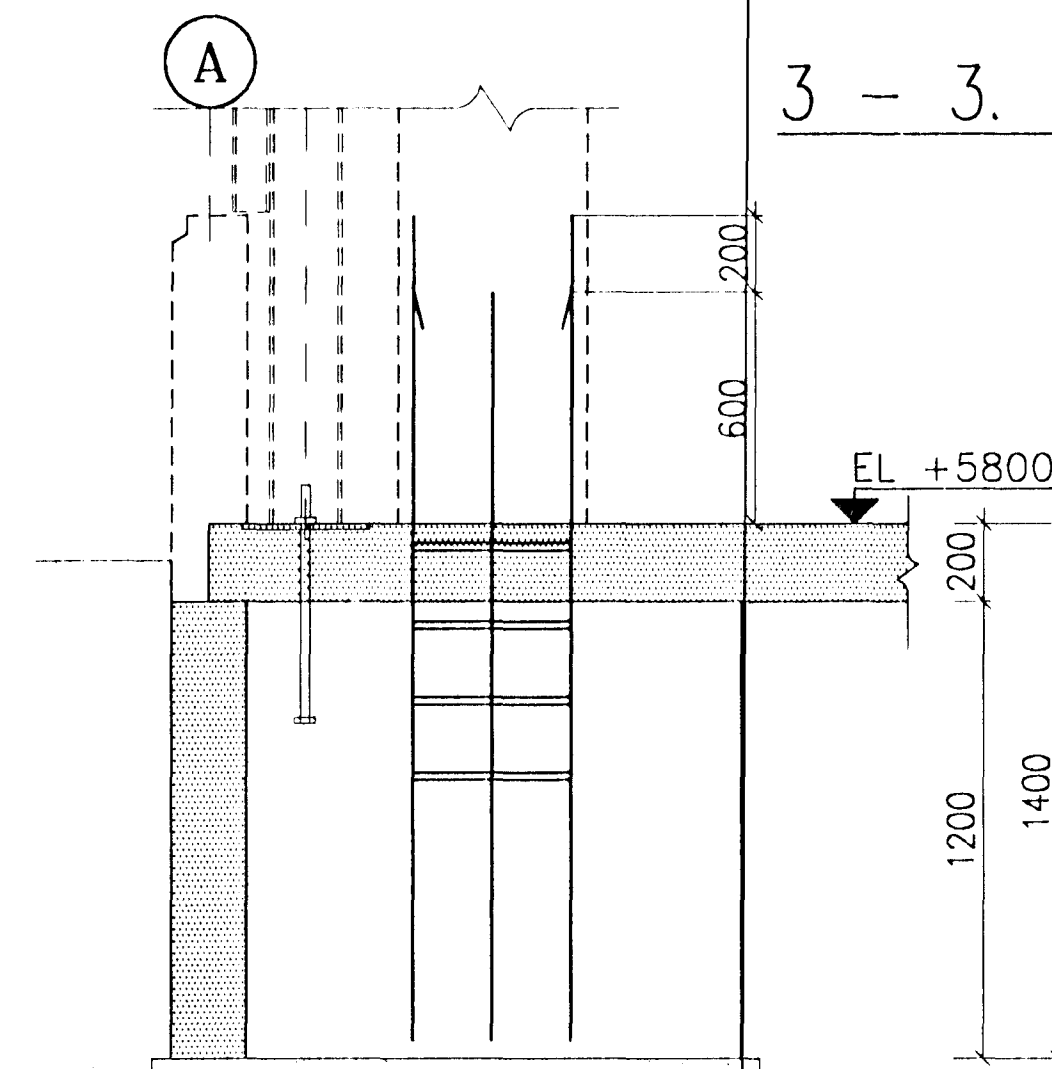


FOUNDATION F3. 1:20

QUANTITY: F3: 1.  
F3': 1. OVERALL WIDTH OF F3' IS 1400

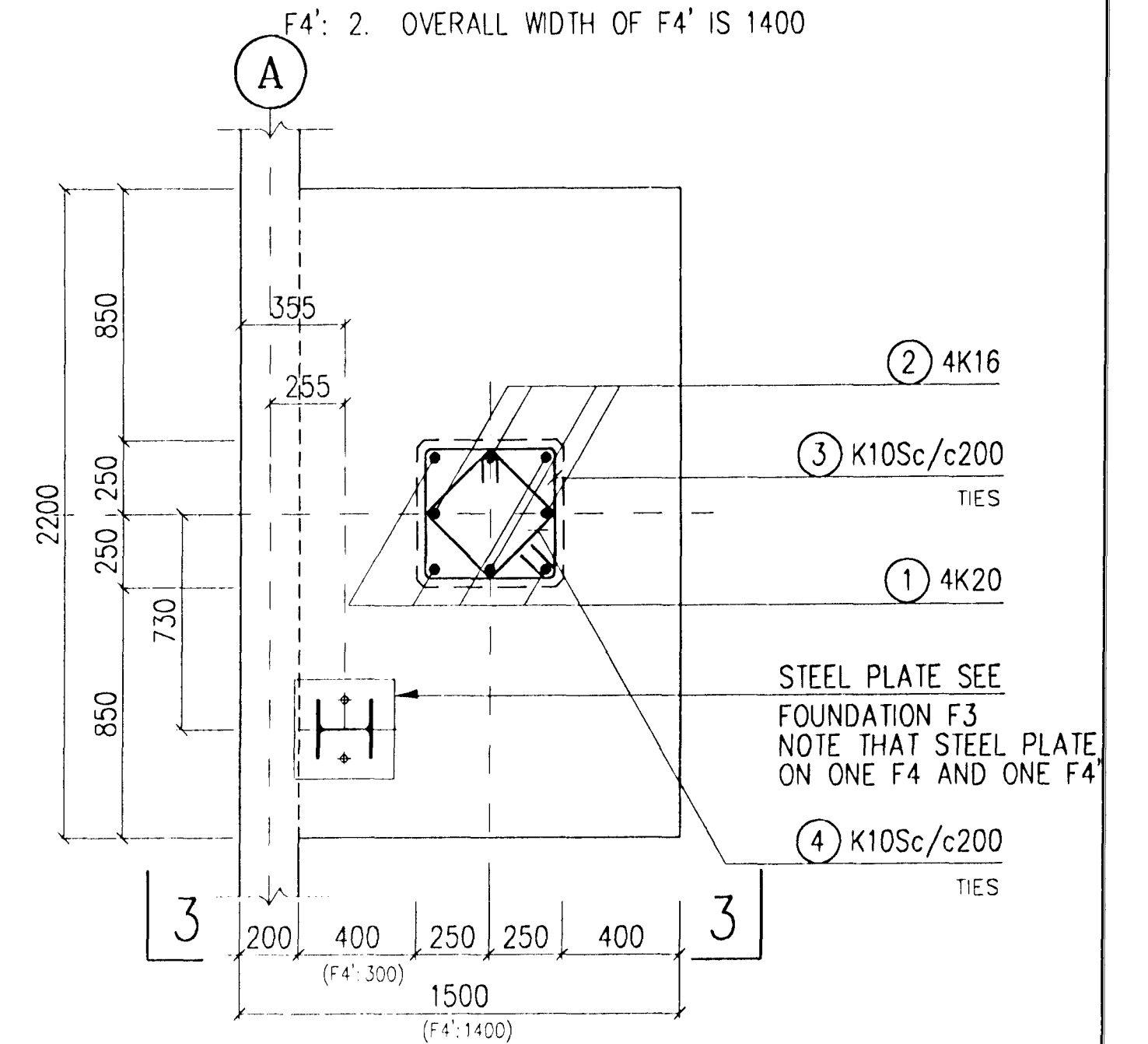


3 - 3. 1:20



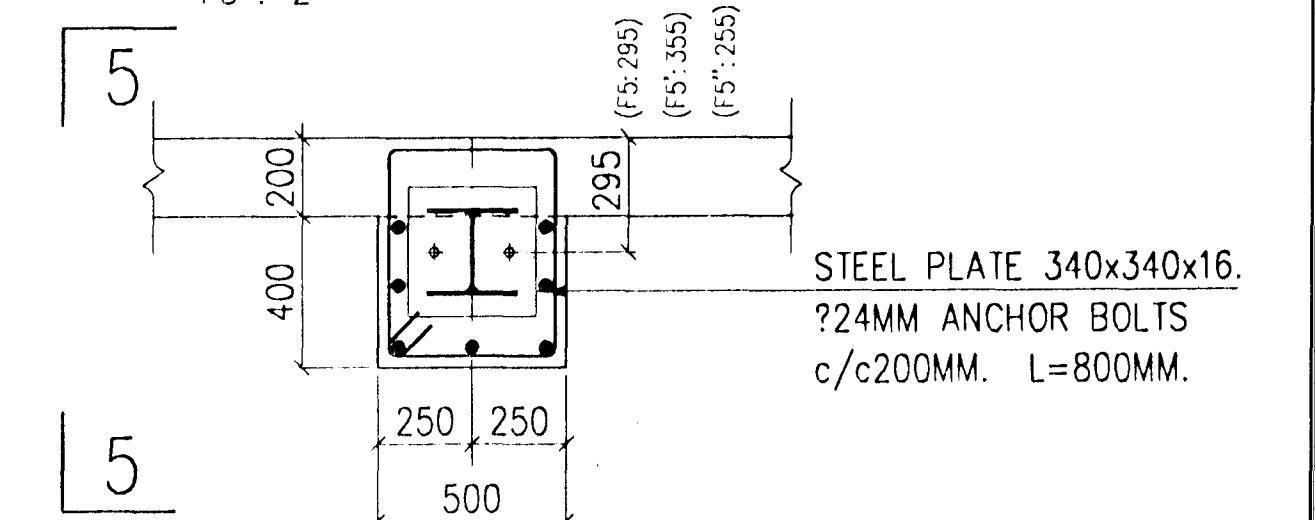
FOUNDATION F4. 1:20

QUANTITY: F4: 2.  
F4': 2. OVERALL WIDTH OF F4' IS 1400

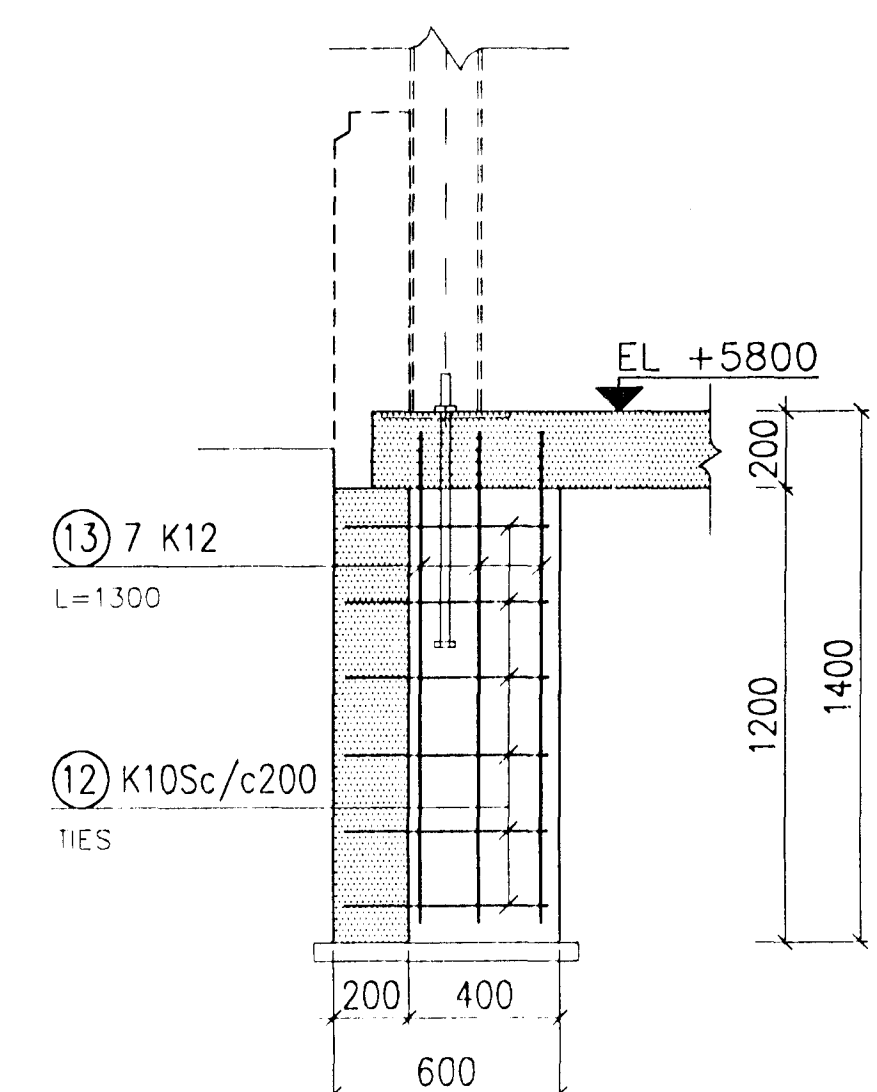


FOUNDATION F5. 1:20

QUANTITY: F5: 1  
F5': 2  
F5'': 2



5 - 5. 1:20



REV. NO.	DATE	REVISION	BY	APP.	REV. NO.	DATE	REVISION	BY	APP.	NOTES	REFERENCE DRAWING	DRAWING NUMBER	SCALE	FORMAT	REVISION
2B	14.12.1997	AS BUILD		UH											
1	11.9.1996	WIDTH OF BUILDING ADJUSTED TO ADJ. BUILDING IN LINE A		UH											
0	30.8.1996	ISSUED FOR CONSTRUCTION													
											FOUNDATION PLAN	193.511			
											FOUNDATION PLAN	193.511			

This drawing is our property and given for personal use only. It may not be copied or made available to others without our permission. The receiver is responsible for any misuse.

ICELANDIC ALUMINIUM COMPANY LTD.

DRAWN 28.8.1996 HHH  
APPROVED 28.8.1996 UH/JK  
PROCESS  
PROJECT  
SCALE 1:20  
FORMAT A1

CASTHOUSE EXTENSION - BALCONY AREA  
STRUCTURAL  
FOUNDATIONS F1, F2, F3, F4 AND F5.  
SECTIONS A AND B.

ALUSUISSE ALUESA  
ALUSUISSE ENGINEERING LTD.  
ZURICH SWITZERLAND

79000-34312  
VERKFRÆDISTOFAN ÖNN SF.  
TAEKNITHJONUSTAN SF.

